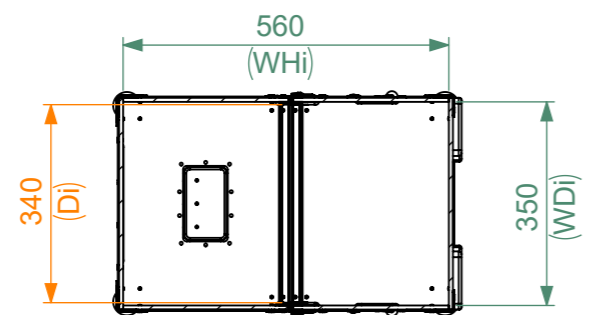
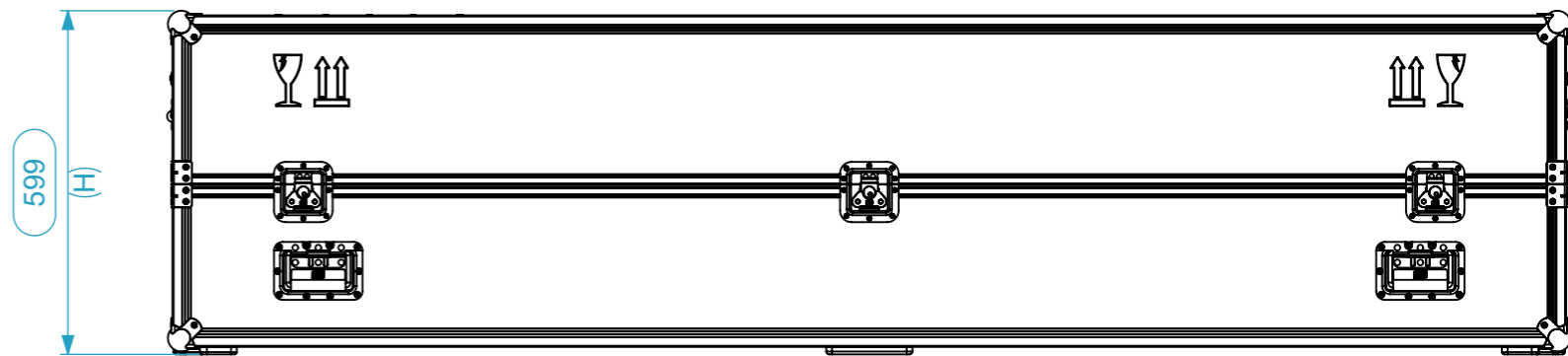
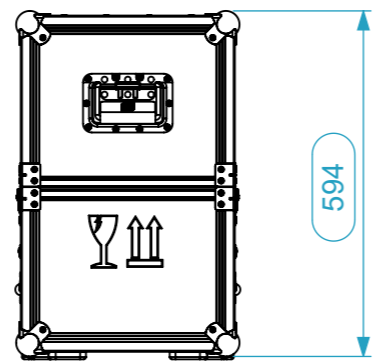


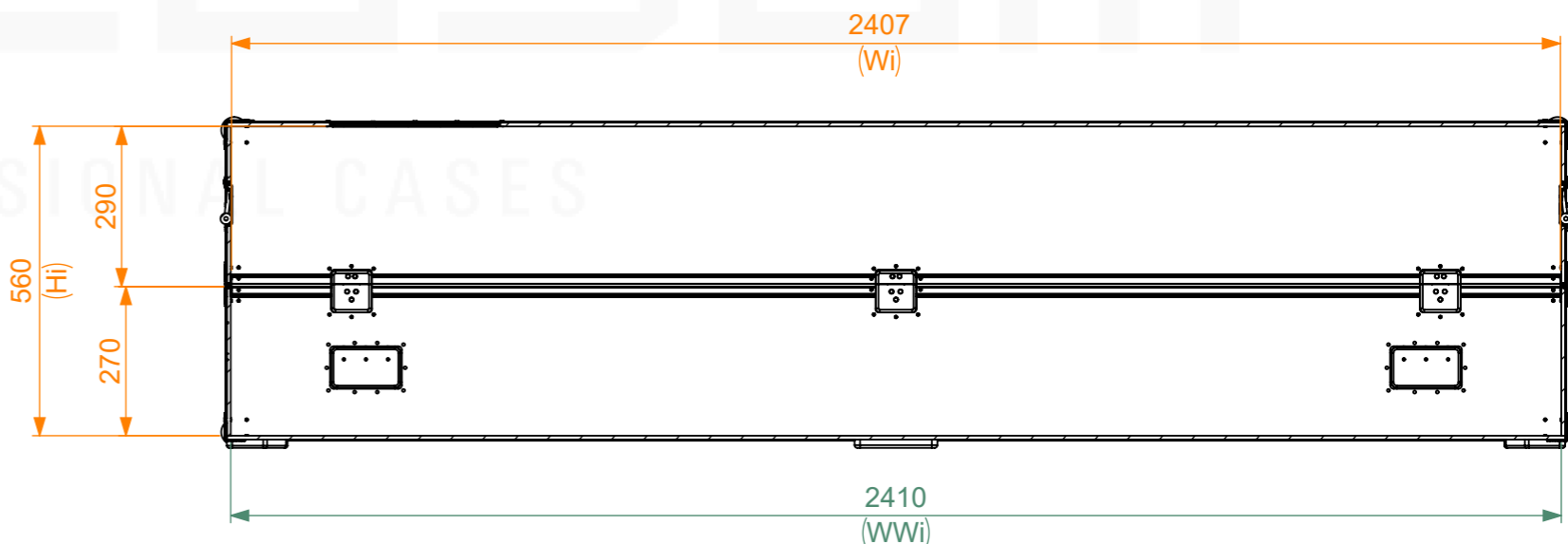
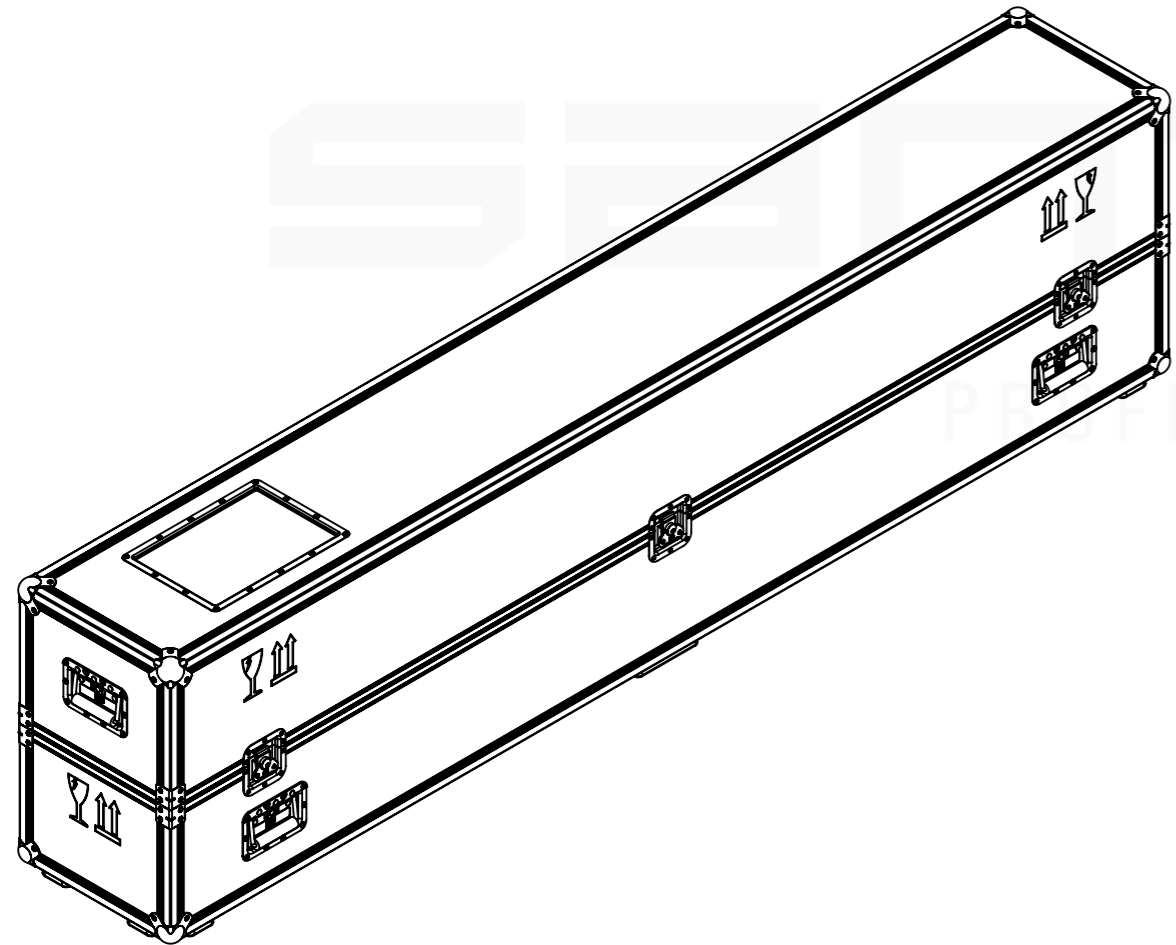
Internal Dimensions		
Width	Depth	Height
2410	350	560
Weight	Approx. 35 Kg	
Wall Thickness	7mm	



SECTION A-A



2444 (W)



2410 (WWi)

SECTION B-B

General External Dimensions		Usable Inner Dimensions		Wood Inner Dimensions	
W	Width	Wi	Inside Width	WWi	Wood Inside Width
D	Depth	Di	Inside Depth	WDi	Wood Inside Depth
H	Height	Hi	Inside Height	WHi	Wood Inside Height

Drawn by	Name	Date
carlasilva	carlasilva	23/03/2023
Reference	816.249	
Scale	units in mm	general tolerance
1:13	DO NOT SCALE	0.8mm
FC. Submersível 430 (2410x350x560mm)		



This drawing must not be copied or disclosed without consent of the owner



A3