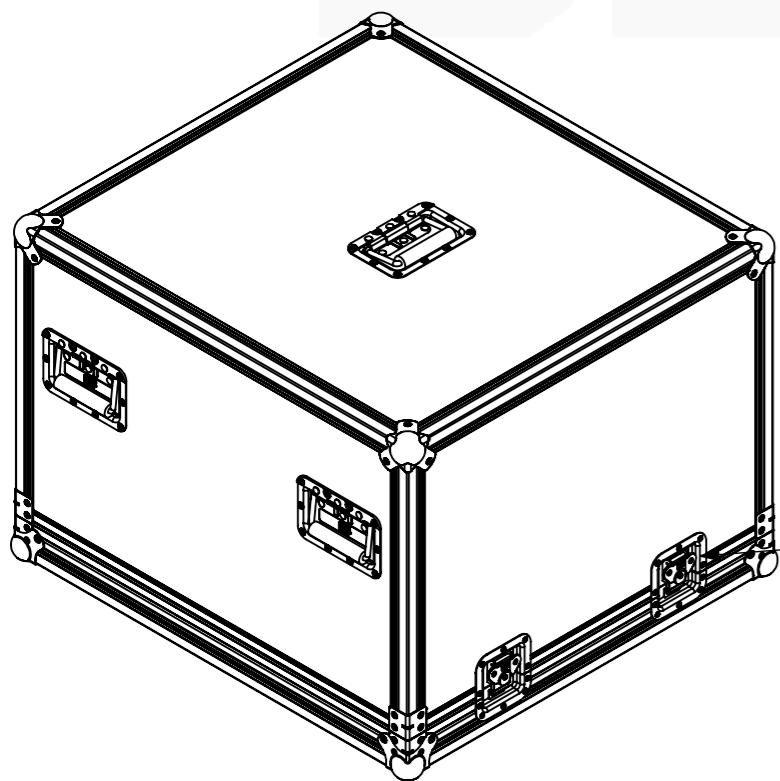
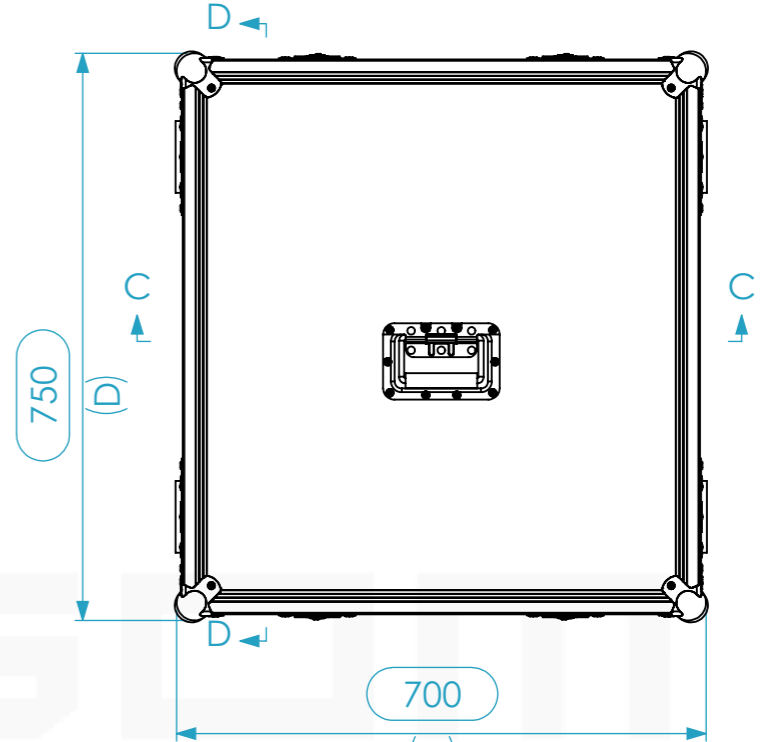
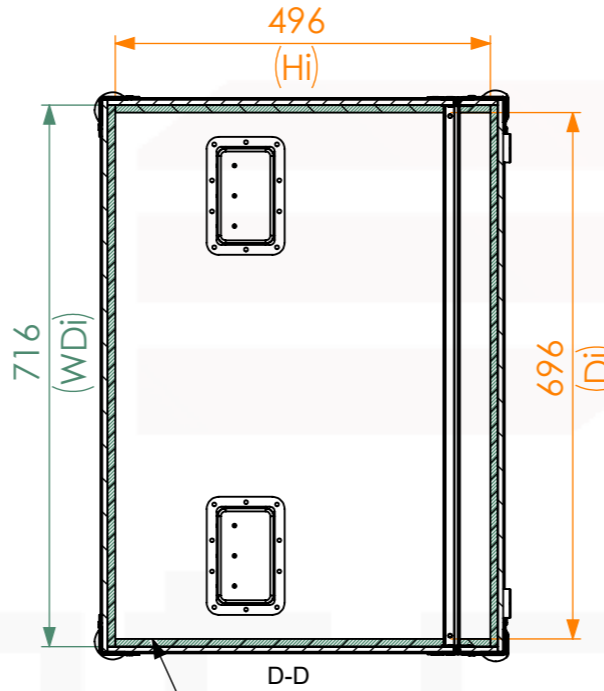
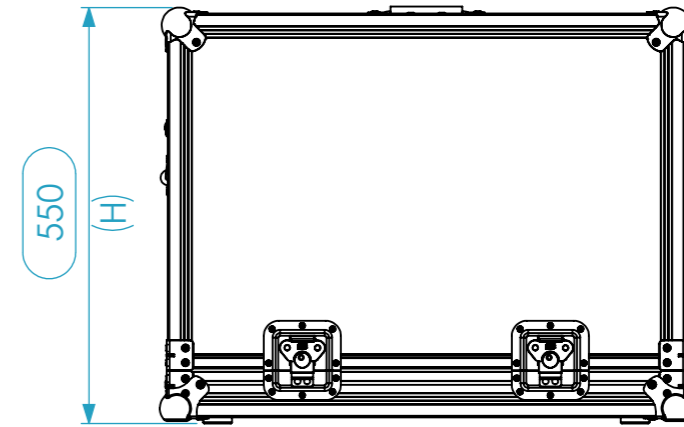
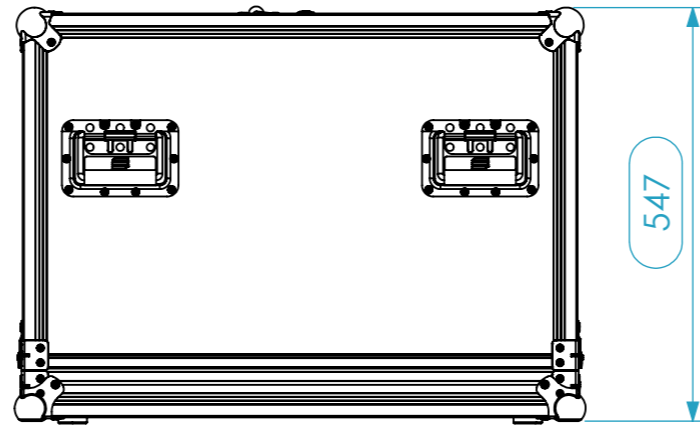
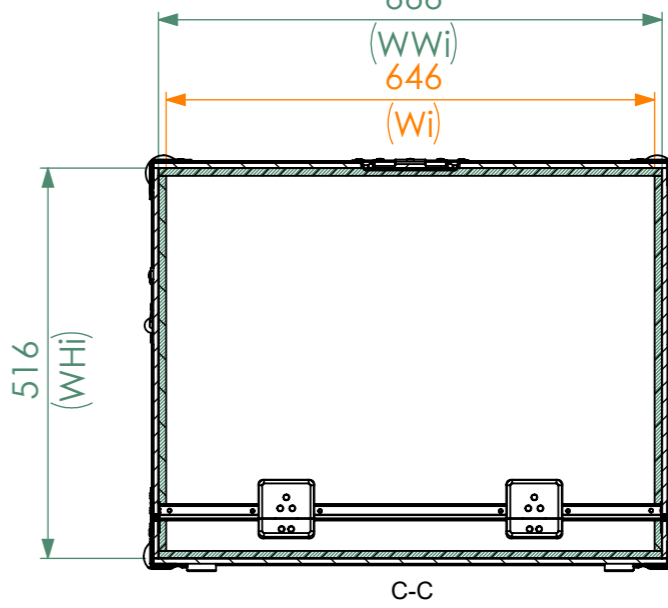


Internal Dimensions		
Width	Depth	Height
663	713	513
Weight	Approx. 19 Kg	
Wall Thickness		7mm



Lined with HD Foam thickness 10mm

Padlocking eye - 2590



General External Dimensions		Usable Inner Dimensions (UID)		Wood Inner Dimensions (WID)	
W	Width	Wi	Inside Width	WWi	Wood Inside Width
D	Depth	Di	Inside Depth	WDi	Wood Inside Depth
H	Height	Hi	Inside Height	WHi	Wood Inside Height

Name	Date
Drawn by paula.almeida	08/07/2022
Reference	816.246
Scale	1:10
units in mm	general tolerance 0.8mm
DO NOT SCALE	
Trunk M1 070.75.55 w/ 10mm foam (646x696x496 ID)	



This drawing must not be copied or disclosed without consent of the owner



A3