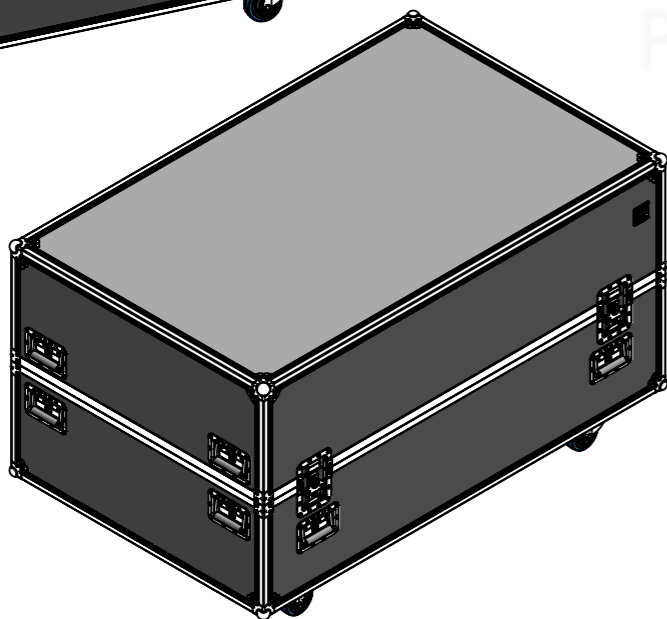
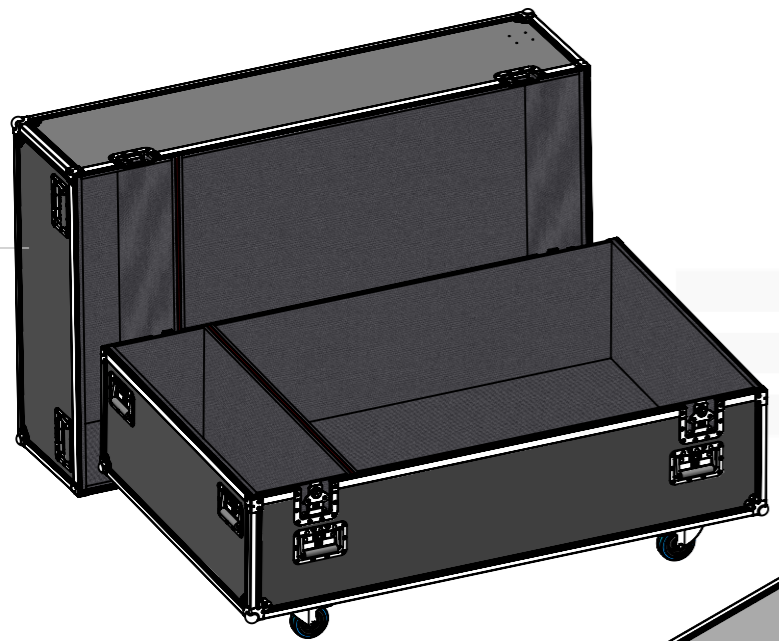
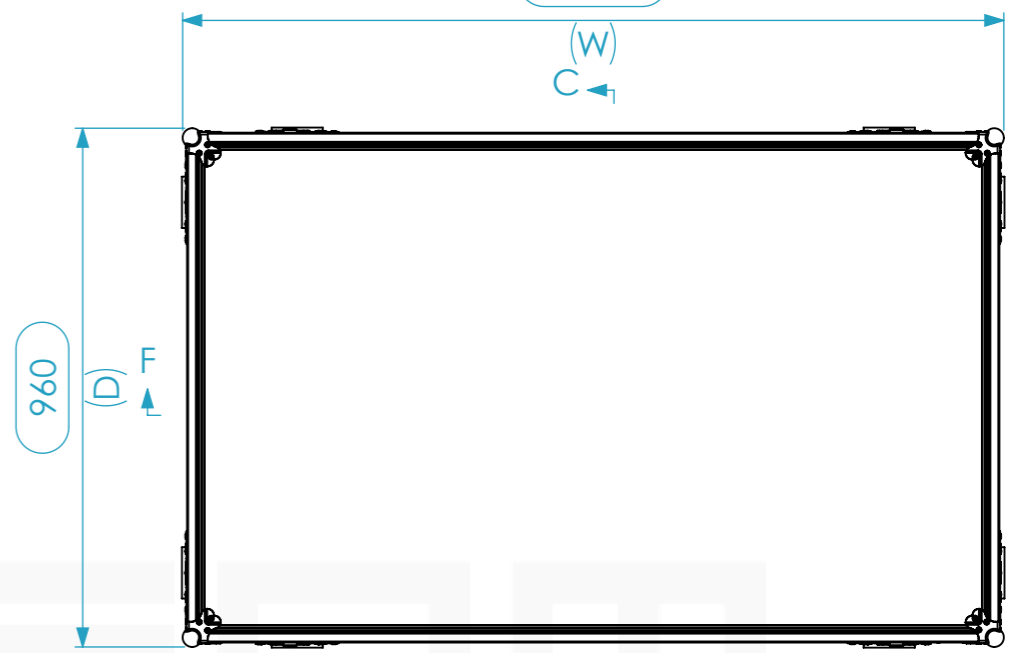
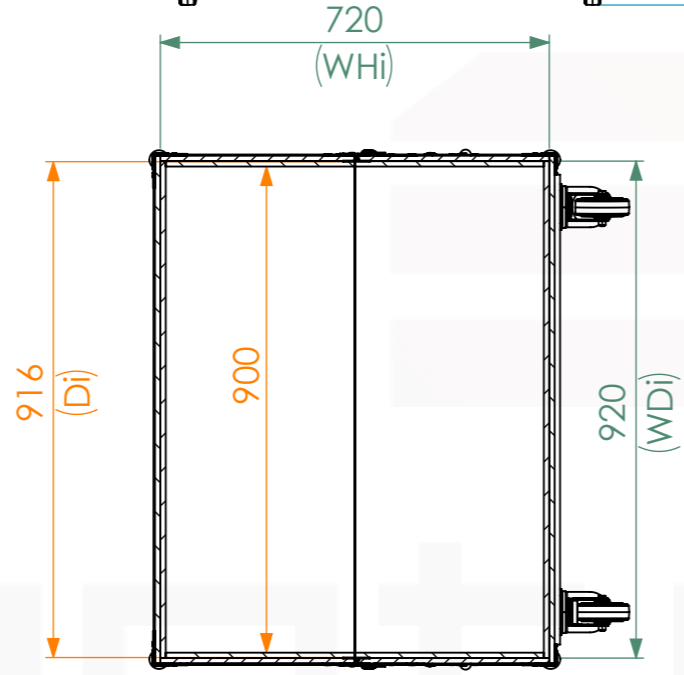
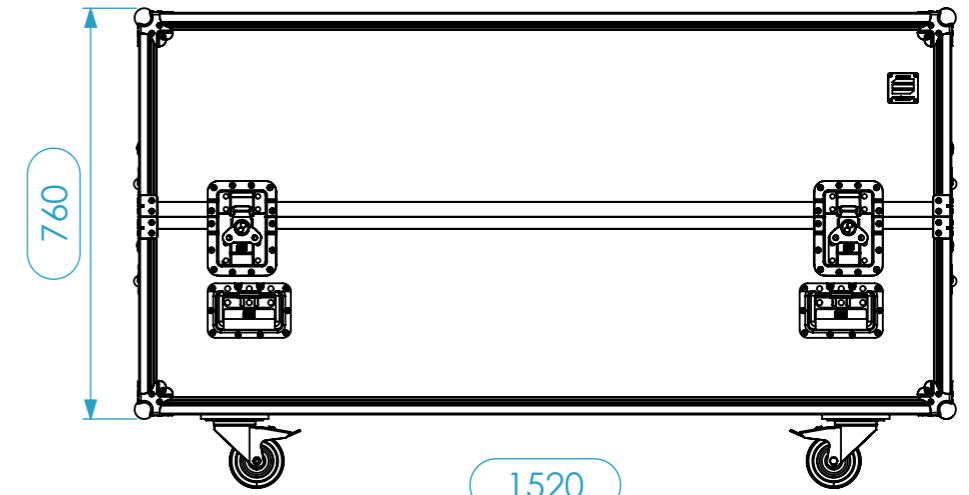
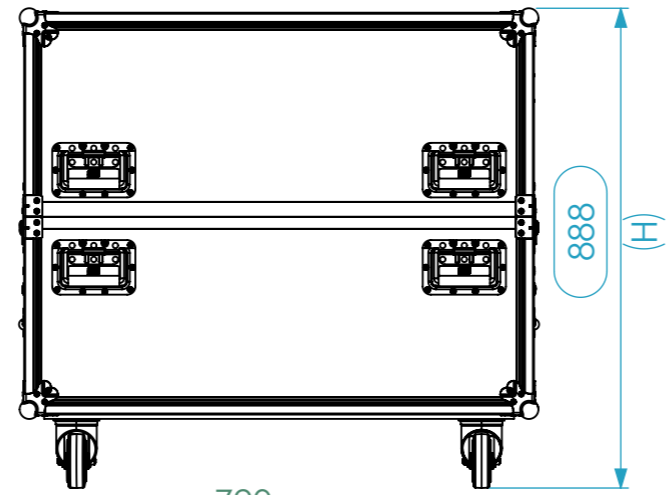
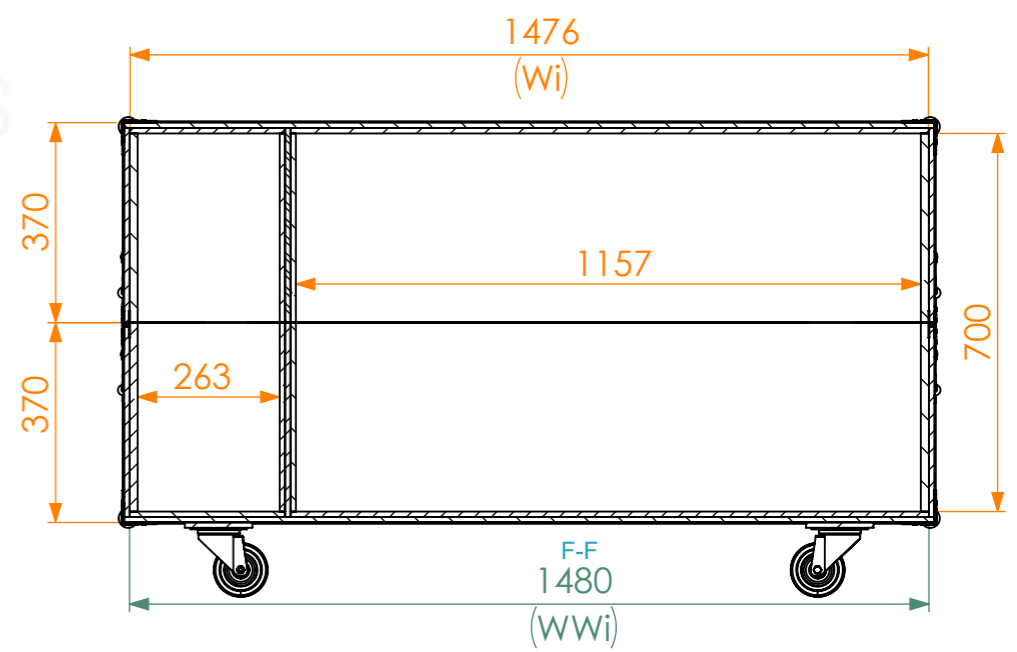


Internal Dimensions		
Width	Depth	Height
1476	916	720
Weight	Approx. 69 Kg	
Wall Thickness		10mm



PROFESSIONAL CASES



General External Dimensions		Usable Inner Dimensions (UID)		Wood Inner Dimensions (WID)	
W	Width	Wi	Inside Width	WWi	Wood Inside Width
D	Depth	Di	Inside Depth	WDi	Wood Inside Depth
H	Height	Hi	Inside Height	WHi	Wood Inside Height

Name	Date
Drawn by	CatarinaHenriques 08/11/2018
Reference	816.229
Scale	1:14
units in mm	general tolerance 0.8mm
DO NOT SCALE	
FLIGHT CASE L12AR (151X96X71 WID)	



This drawing must not be copied or disclosed without consent of the owner



A3