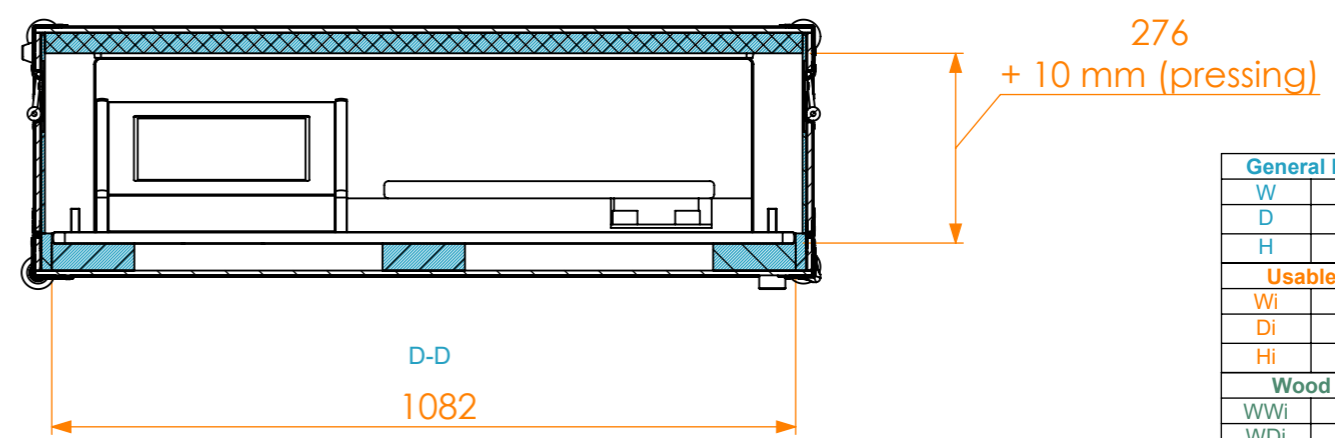
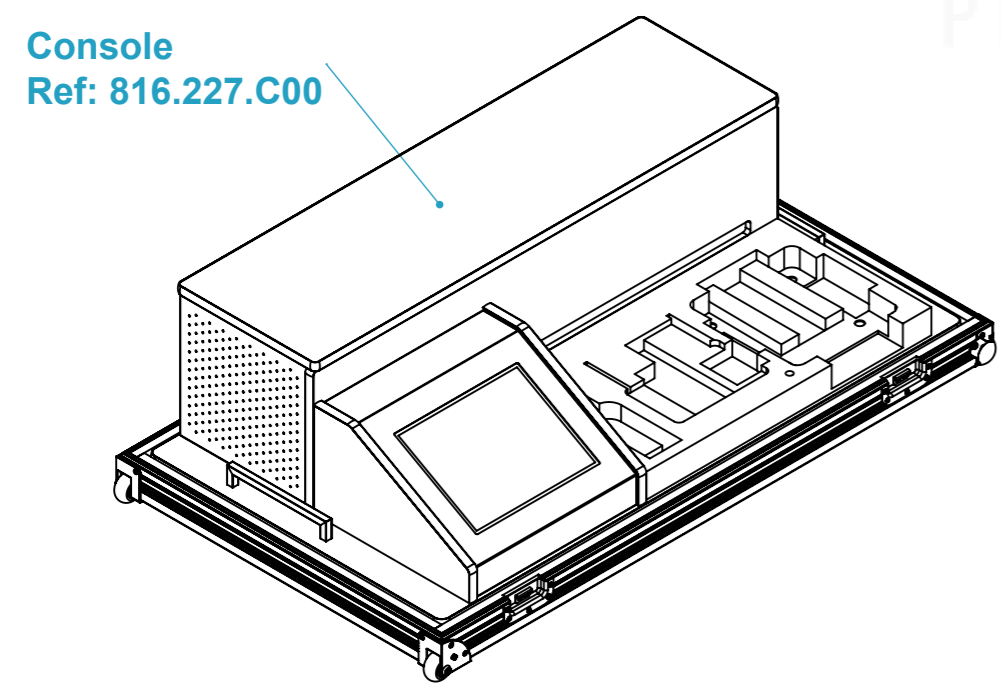
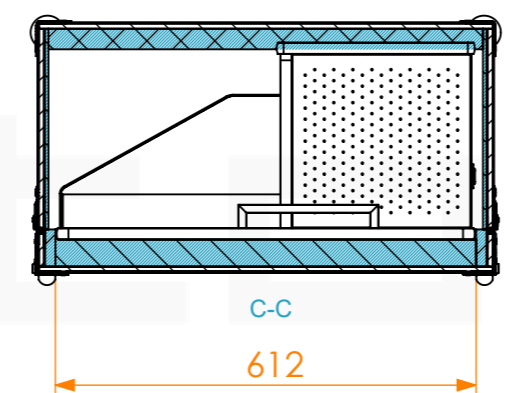
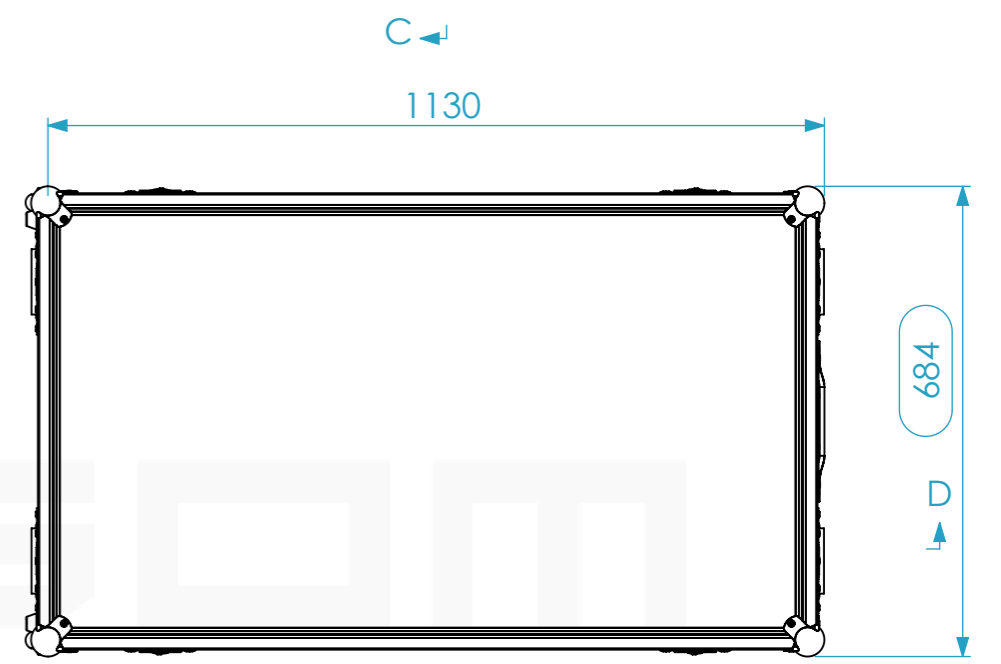
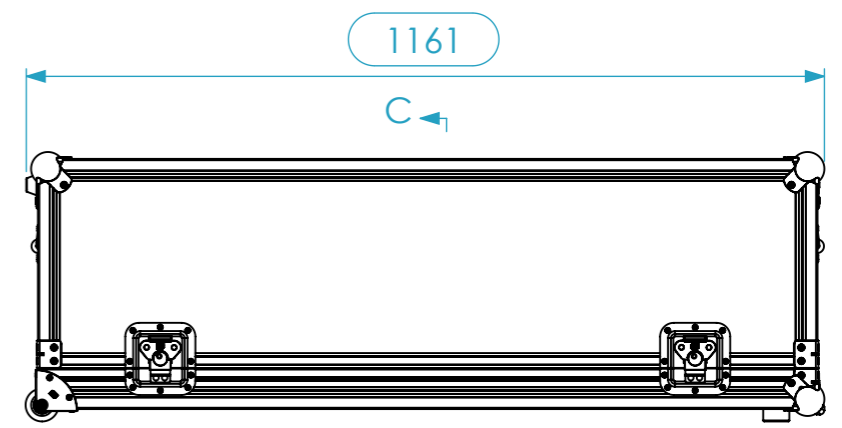
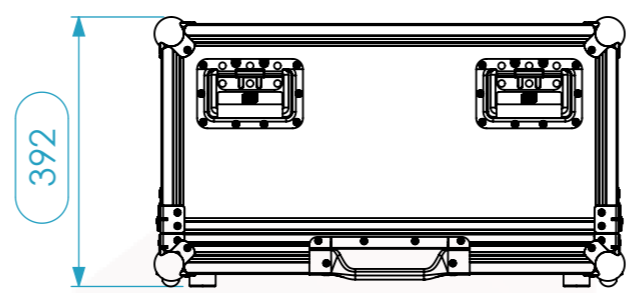
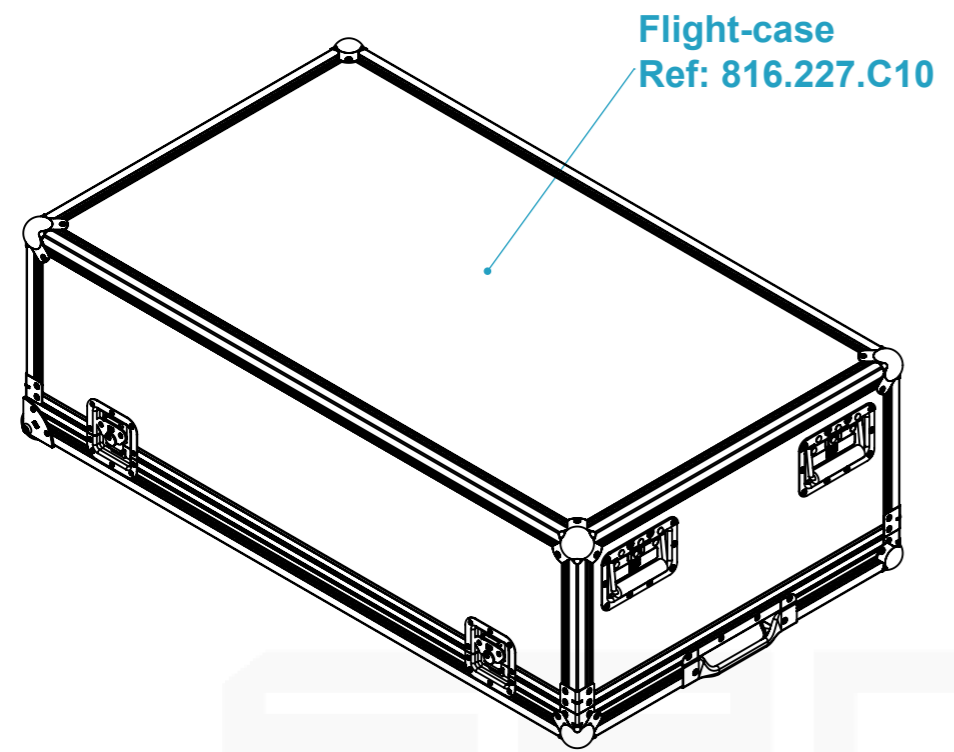


Internal Dimensions		
Width	Depth	Height
1082	612	276 + 10
Weight	Approx. 39 Kg	
Wall Thickness		7mm



General External Dimensions	
W	Width
D	Depth
H	Height
Usable Inner Dimensions	
Wi	Inside Width
Di	Inside Depth
Hi	Inside Height
Wood Inner Dimensions	
WWi	Wood Inside Width
WDi	Wood Inside Depth
WHi	Wood Inside Height

Drawn by	alexandre	Date	08-11-2018
Reference	816.227		
Scale	1:11	units in mm	general tolerance 0.8mm
1st Angle projection		Flight case com móvel, DemoSYS	



A3 This drawing must not be copied or disclosed without consent of the owner