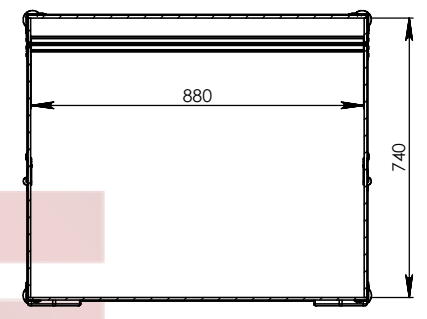
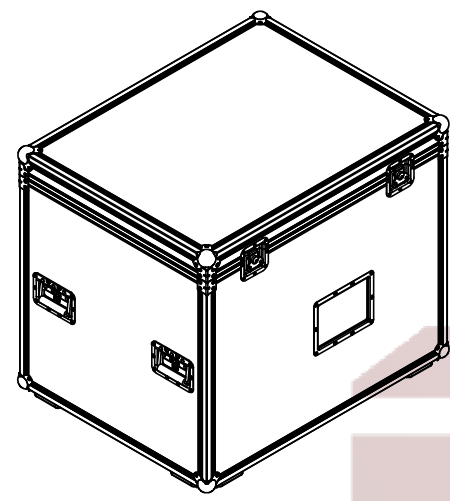
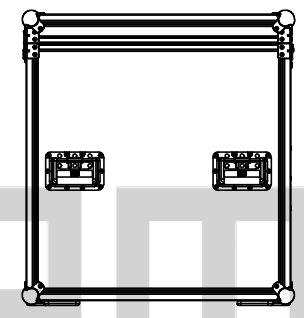
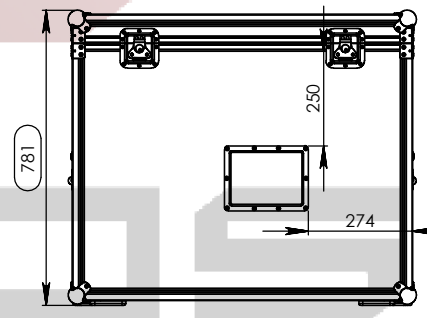
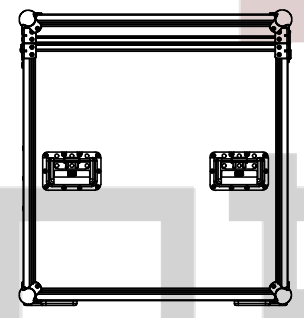
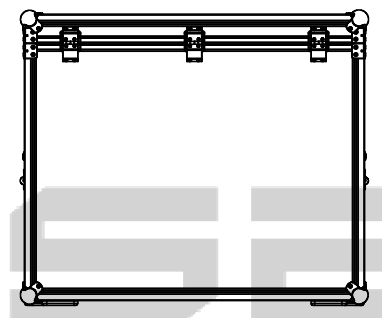


Interior dimensions		
Width	Depth	Height
880	680	740
Weight	Approx. 24 Kg	
Wall Thickness	7mm	

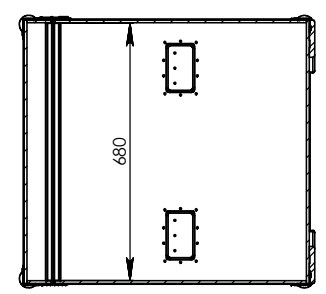
REVISIONS				
ZONE	REV.	DESCRIPTION	DATE	APPROVED
-	0	Final Drawing	14/05/2016	Carlos Rodríguez



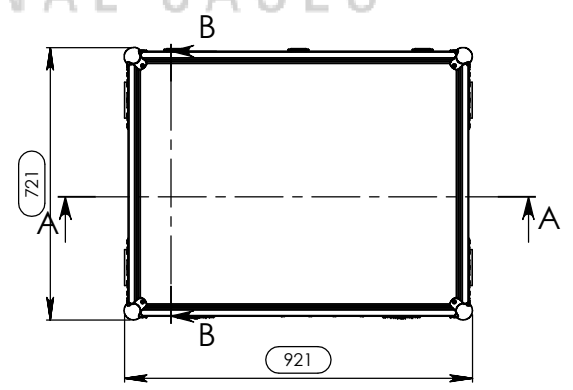
SECTION A-A



PROFESSIONAL CASES



SECTION B-B



Hardware		
Qty	Ref.	Description
8	40403	Large corner bracket f. 35mm case angle
4	34082	Recessed sprung handle medium model
2	17290S	Key lockable medium Butterfly special
3	2524CHR	Heavy Duty Strut Hinge
1	88001D	Dish for 88001 Tour Label
8	4120	Heavy duty ball corner, zinc plated

This drawing must not be copied or disclosed without consent of the owner 	Reference: 814.220 Scale: 1:10 general tolerance: 0.1mm	Name: projects Date: 14/05/2016	
	MALA PARA VASOS 880x680x740MM		