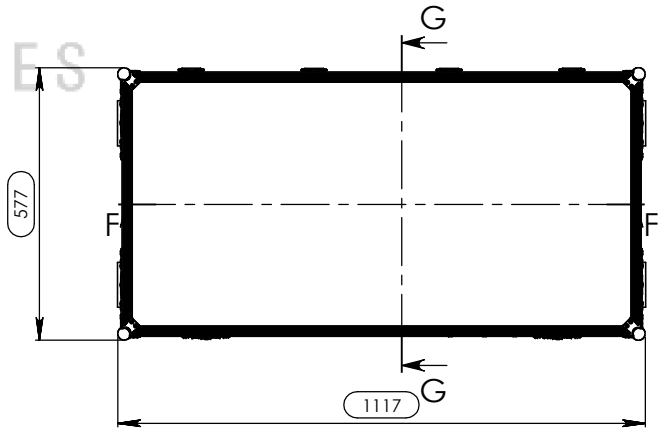
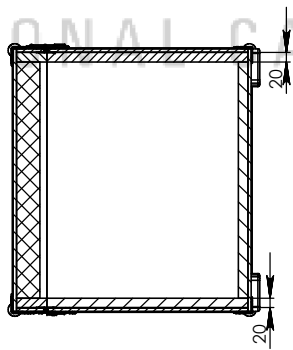
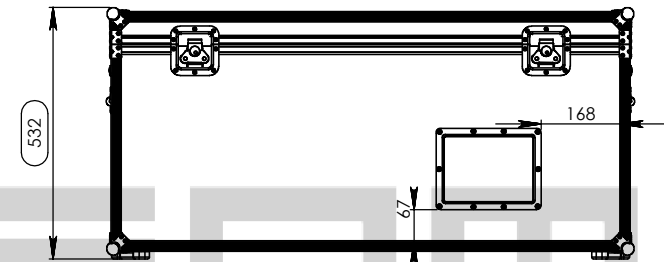
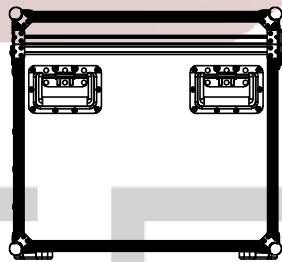
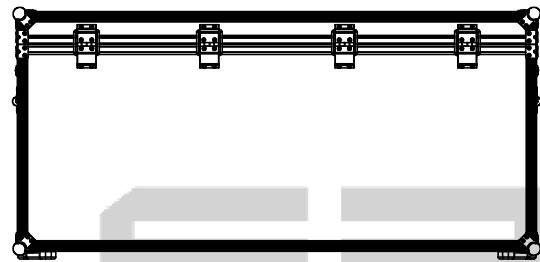
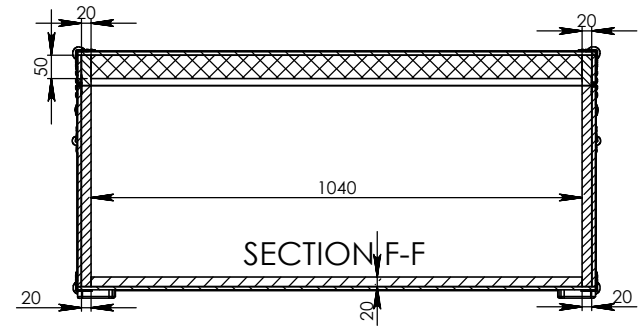
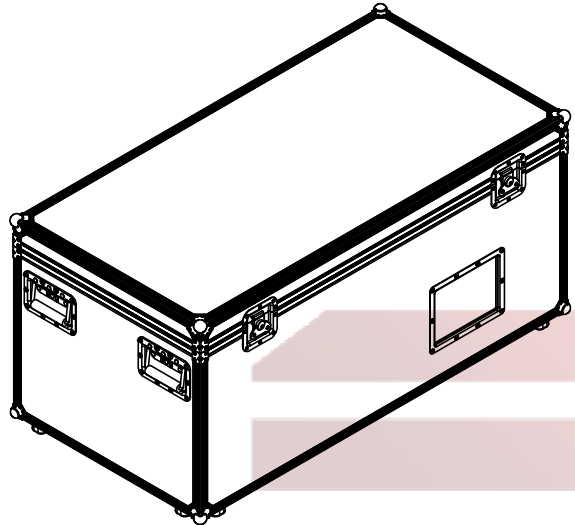


Interior dimensions		
Width	Depth	Height
1040	500	420
Weight	Approx. 17 Kg	
Wall Thickness	7mm	

REVISIONS				
ZONE	REV.	DESCRIPTION	DATE	APPROVED
-	0	Final Drawing	24/03/2016	Carlos Rodriguez



Hardware	
Qty	Description
8	Medium corner-brace zinc plated 1,0mm
8	Small ball corner - 3 leg - zinc plated
2	Key lockable medium Butterfly special
4	Recessed sprung handle medium model
4	Heavy Duty Strut Hinge
1	Dish for 88001 Tour Label

Drawn by	Name	Date
projects	814.218	24/03/2016
Reference	Scale	general tolerance
1:1	1:8	±0.10
1st angle projection	2x BASES DE VASOS GRANDES (040550040)	

This drawing must not be copied or disclosed without consent of the owner

PROFESIONAL CASES