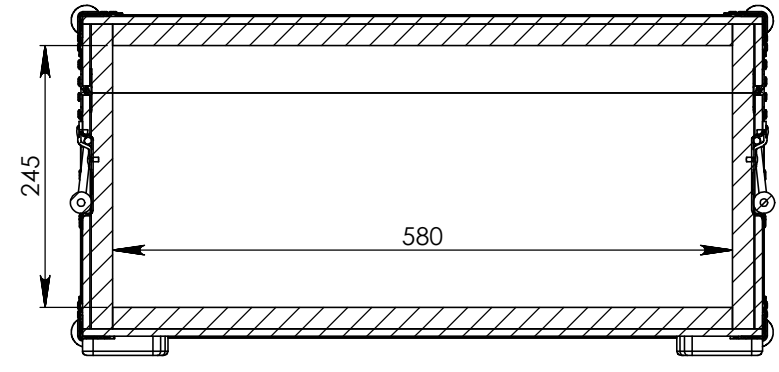


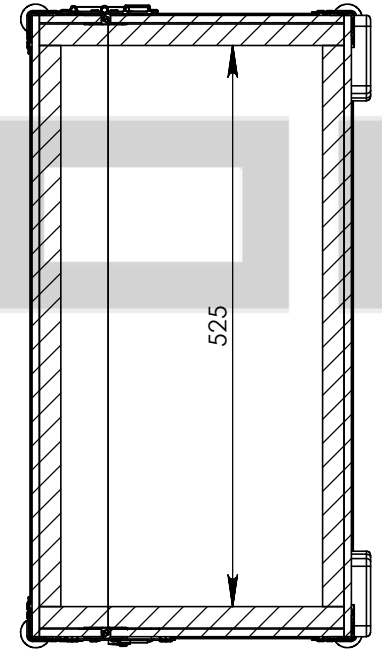
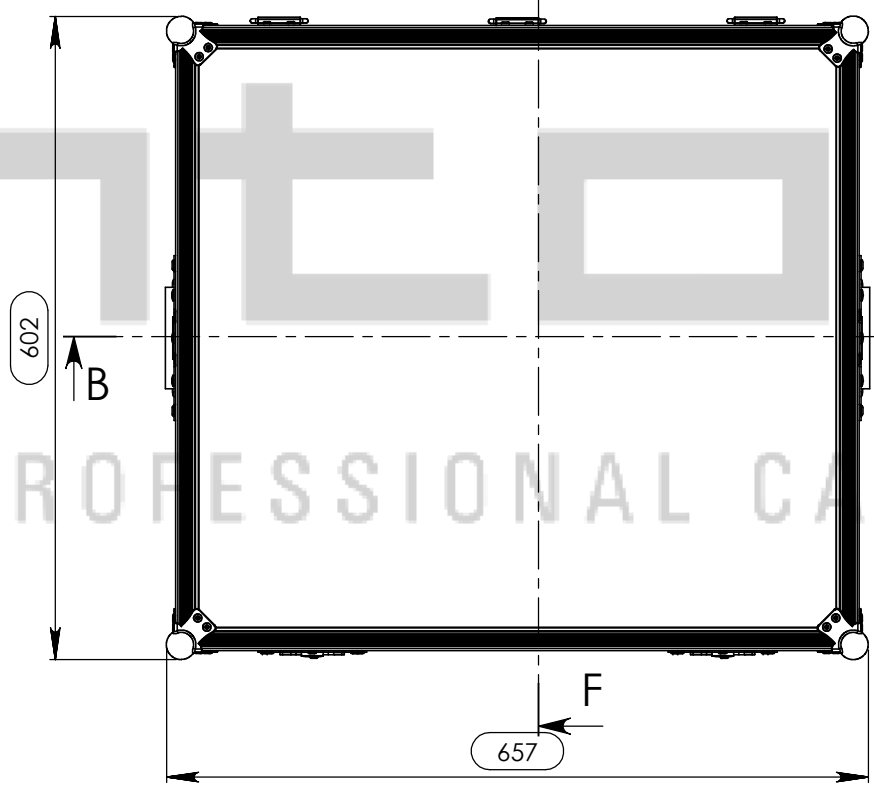
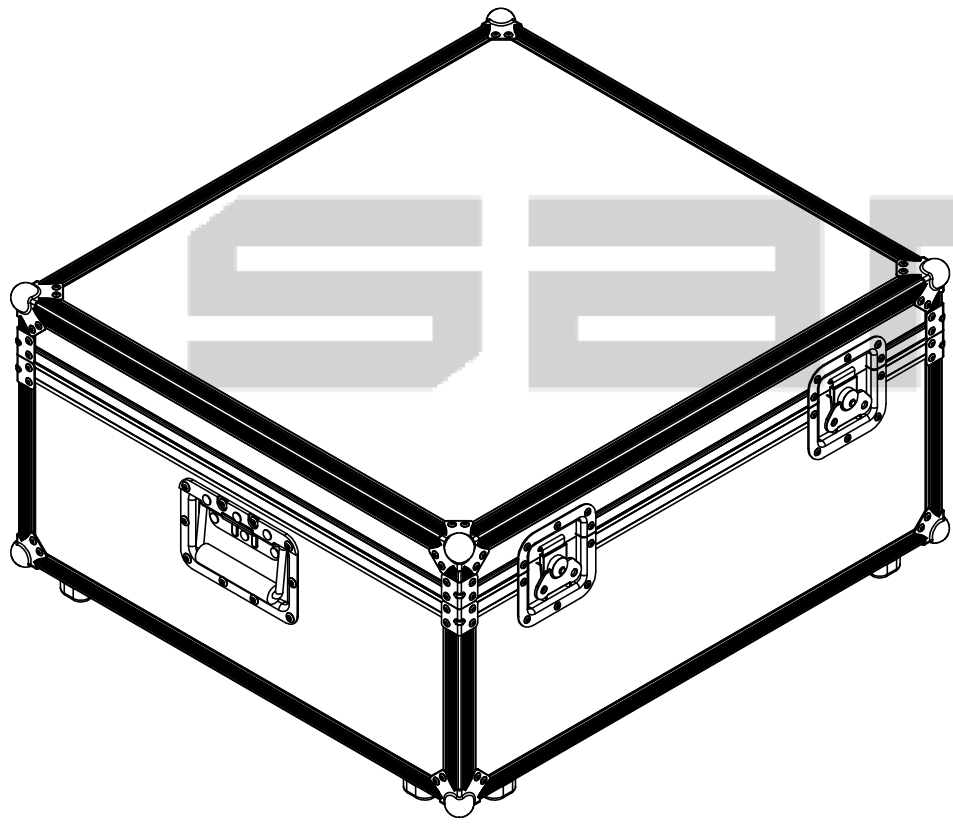
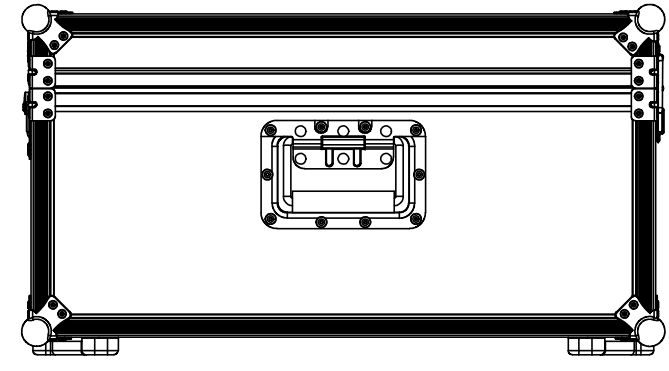
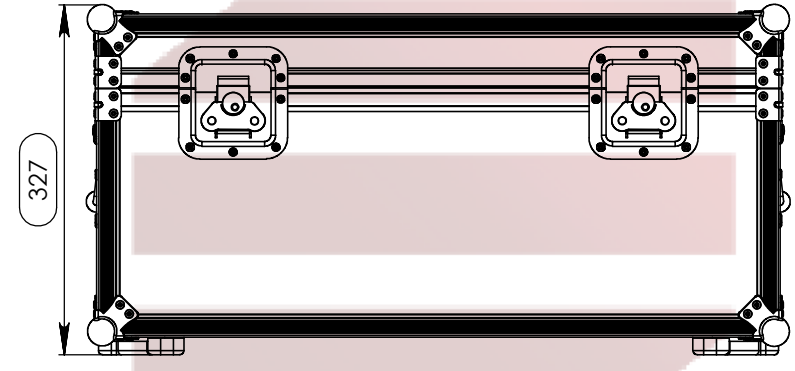
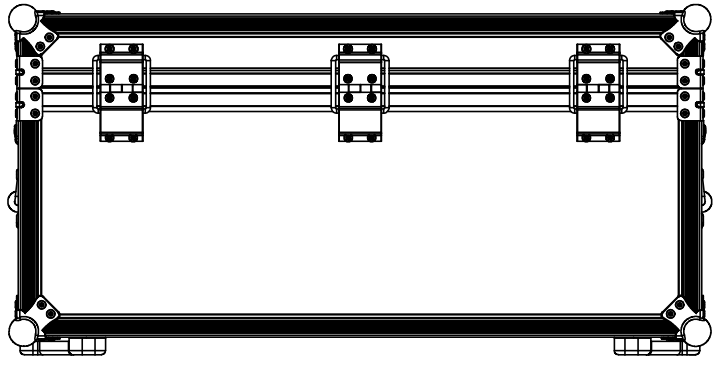
Interior dimensions

Width	Depth	Height
580	525	245
Weight	Approx. 11 Kg	
Wall Thickness	7mm	

REVISIONS				
ZONE	REV.	DESCRIPTION	DATE	APPROVED
-	0	Final Drawing	19/06/2015	Carlos Rodrigues



SECTION B-B



SEÇÃO F-F

Hardware	
Qty	Description
8	Medium corner-brace zinc plated 1,0mm
8	Small ball corner - 3 leg - zinc plated
2	Key lockable medium Butterfly special
2	Recessed sprung handle medium model
3	Heavy Duty Strut Hinge, zinc plated

Drawn by	Name	Date
projects		19/06/2015
Reference	816.204	
Scale	1:5	general tolerance 0.8mm
This drawing must not be copied or disclosed without consent of the owner 1st Angle projection FC, MB-A 2015035-2-580X325X245MM.		

