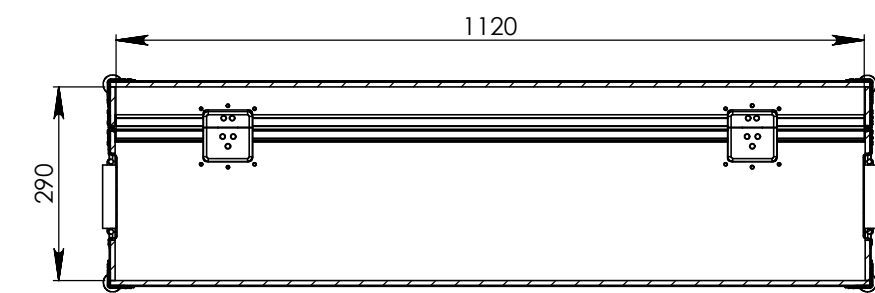
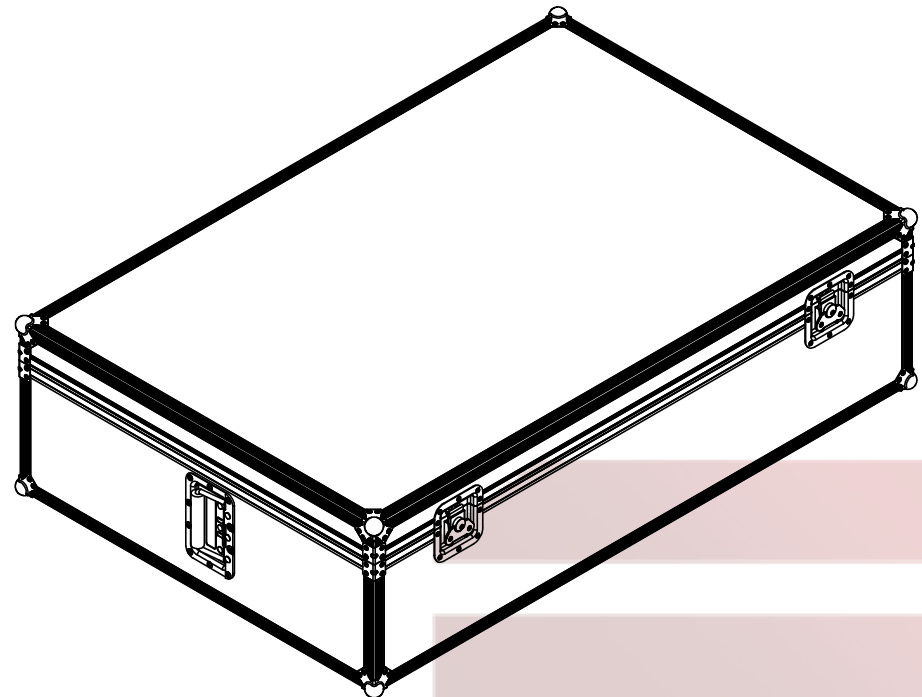
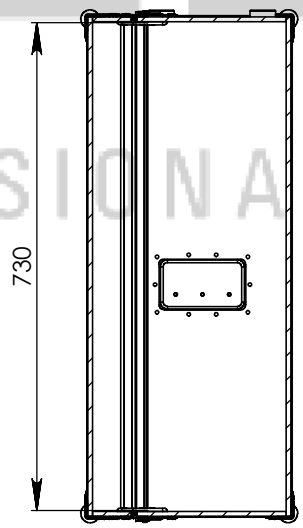
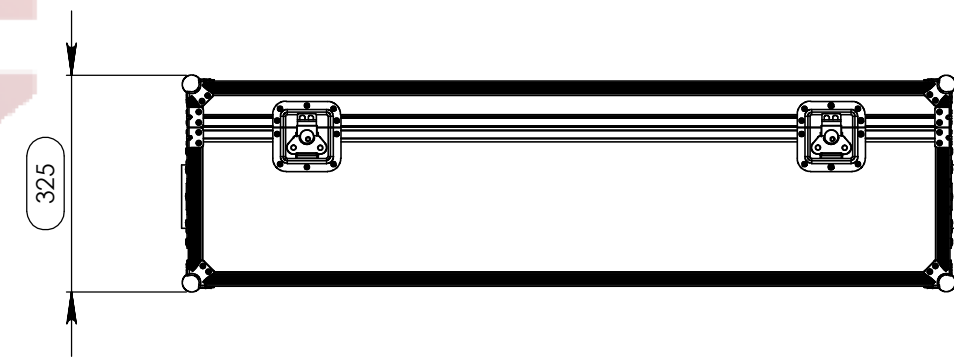
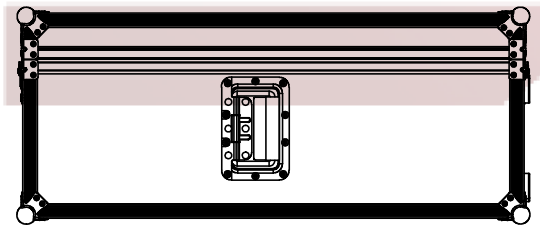
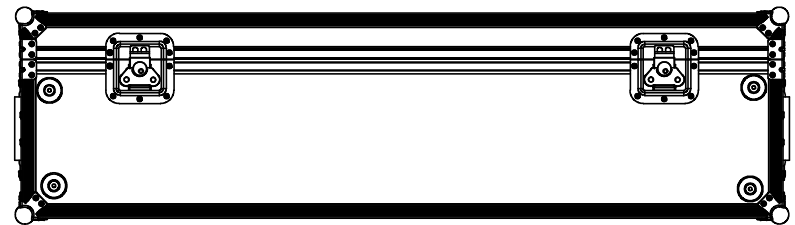


Interior dimensions		
Width	Depth	Height
1120	730	290
Weight	Approx. 31 Kg	
Wall Thickness	7mm	

REVISIONS				
ZONE	REV.	DESCRIPTION	DATE	APPROVED
A12	0	Final Drawing	07/05/2015	Carlos Rodrigues



SEÇÃO B-B



SEÇÃO C-C

santosom
PROFESSIONAL CASES

Hardware		
Qty	Ref.	Description
8	40407	Medium corner-brace zinc plated 1,0mm
8	4112	Small ball corner - 3 leg - zinc plated
4	17290S	Key lockable medium Butterfly special
2	34082	Recessed sprung handle medium model
4	4906	38 mm rubber foot black with steel insert. Height: 10 mm.

Drawn by	projects	Date	07/05/2015
Reference	816.201		
Scale	1:8	general tolerance	0.8mm
FC, MEDUSA 2015035-1			

This drawing must not be copied or disclosed without consent of the owner