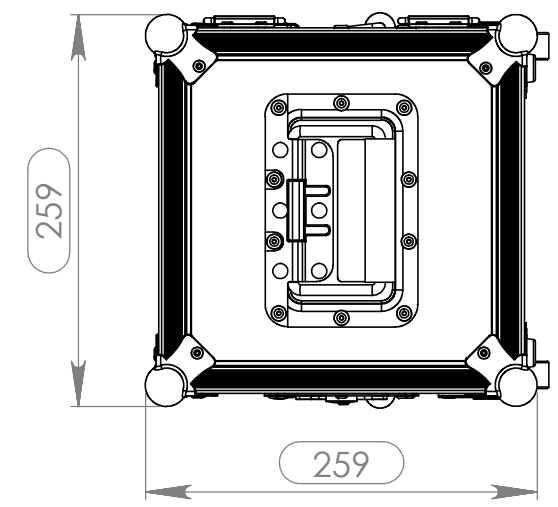
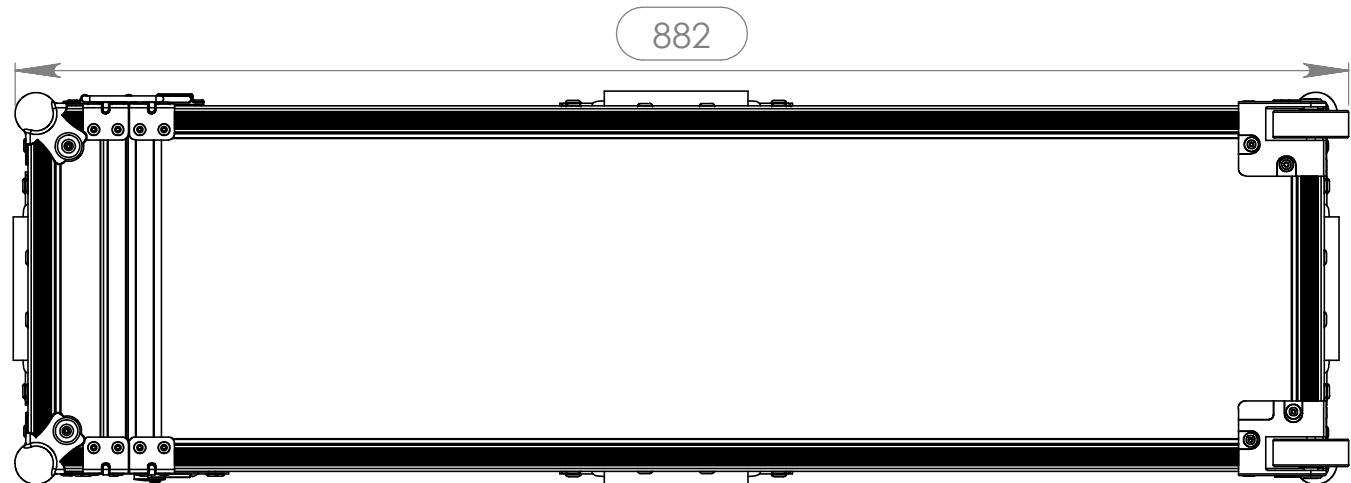
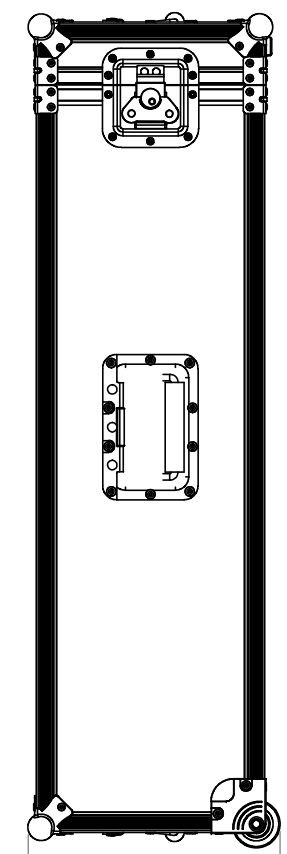
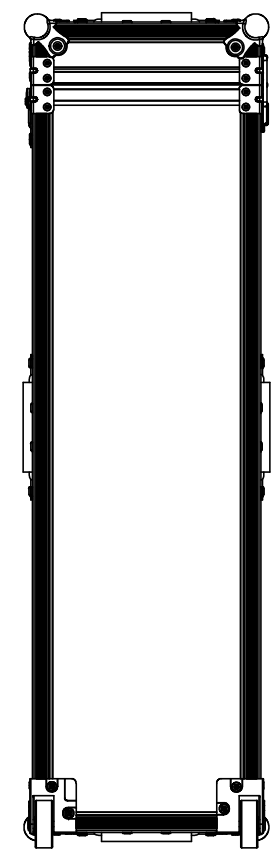


Medidas Uteis


Largura	Profundidade	Altura
180.5	180.5	800

REVISIONS

ZONE	REV.	DESCRIPTION	DATE	APPROVED
-	0	Final Drawing	10/12/2014	Carlos Rodrigues



Lista Acessórios		
Qty	Designação	Ref.
1	FECHO BORBOLETA MÉDIO ZC.	17290S
6	CANTO DE BOLA PEQUENO	4112
4	ASA DE MOLA MÉDIA	34082
2	Dobradiça mala - Zincado	2524
8	REMATE MÉDIO	40407
2	pé de borracha	4903
2	RODA DE CANTO 50MM	W8255Z

Material	Name	Date	 santosom PROFESSIONAL CASES
Drawn by	DanielLopes	10-12-2014	
Reference	816.185		
This drawing must not be copied or disclosed without consent of the owner	Scale	units in mm	general tolerance
	1:5	DO NOT SCALE	±.8mm
1st Angle projection	FC, BOTIJA 2014085		
	2, RODAS		