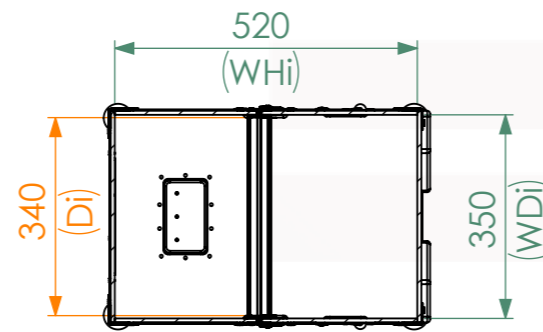
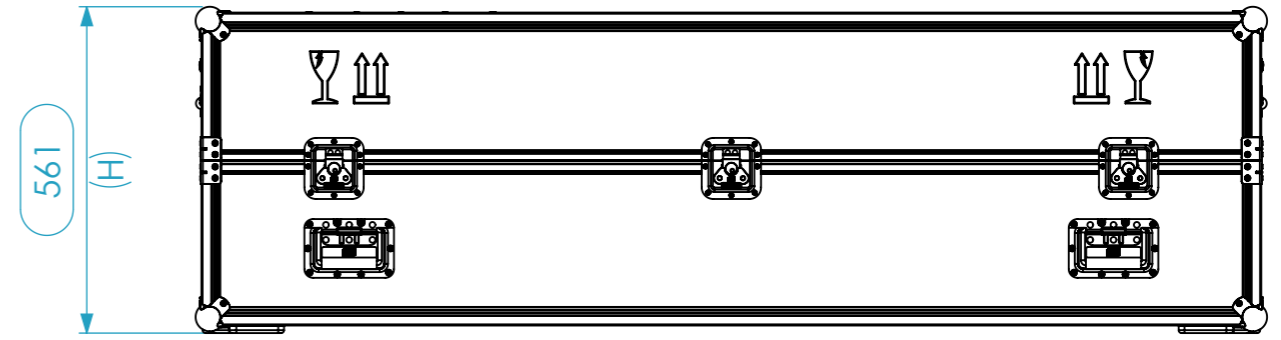
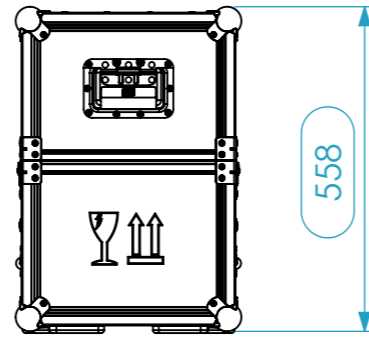
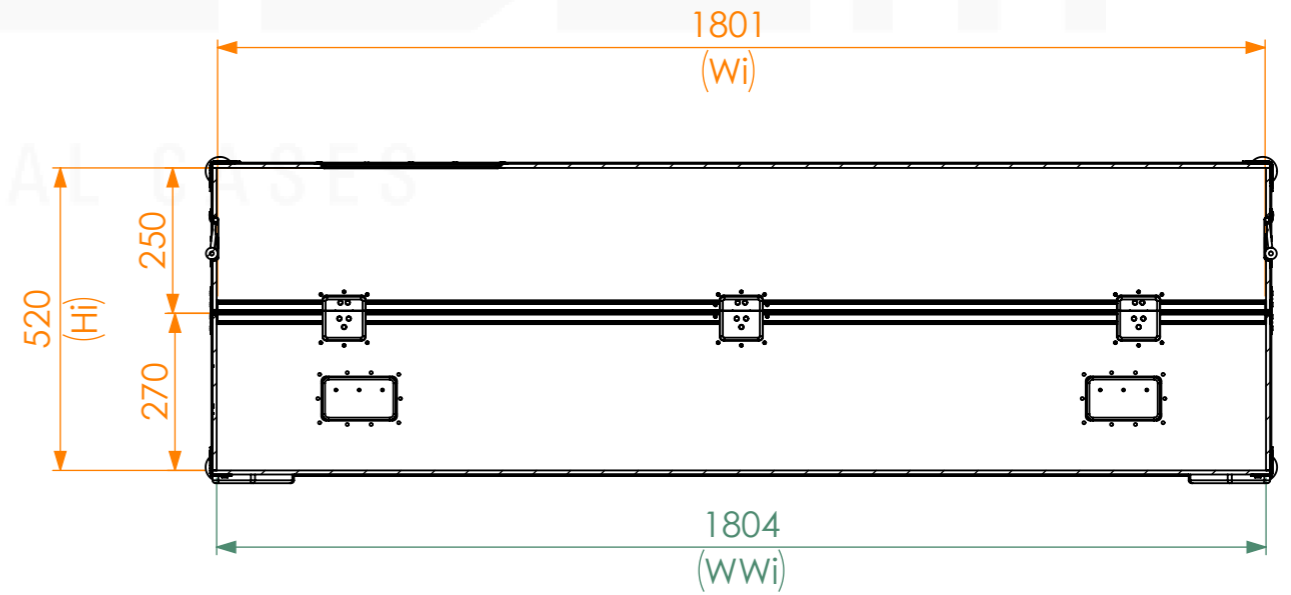
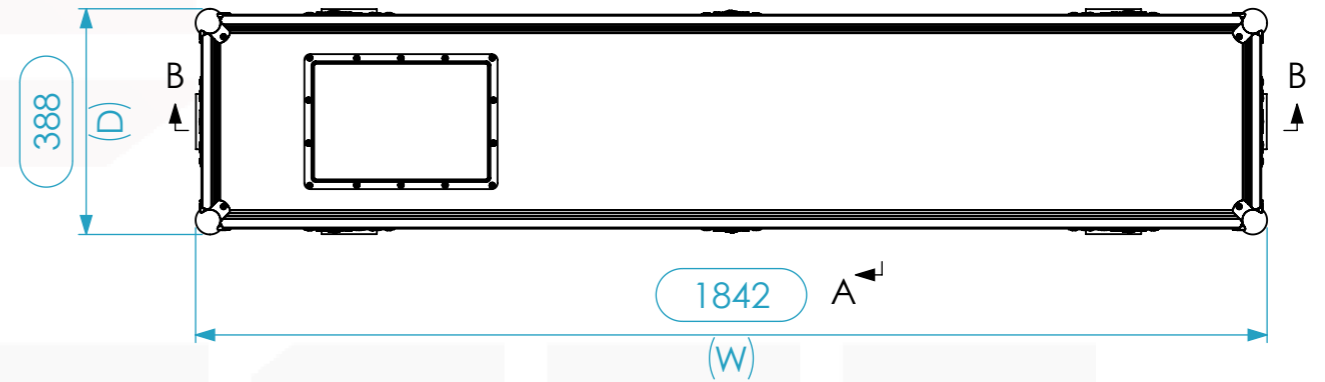


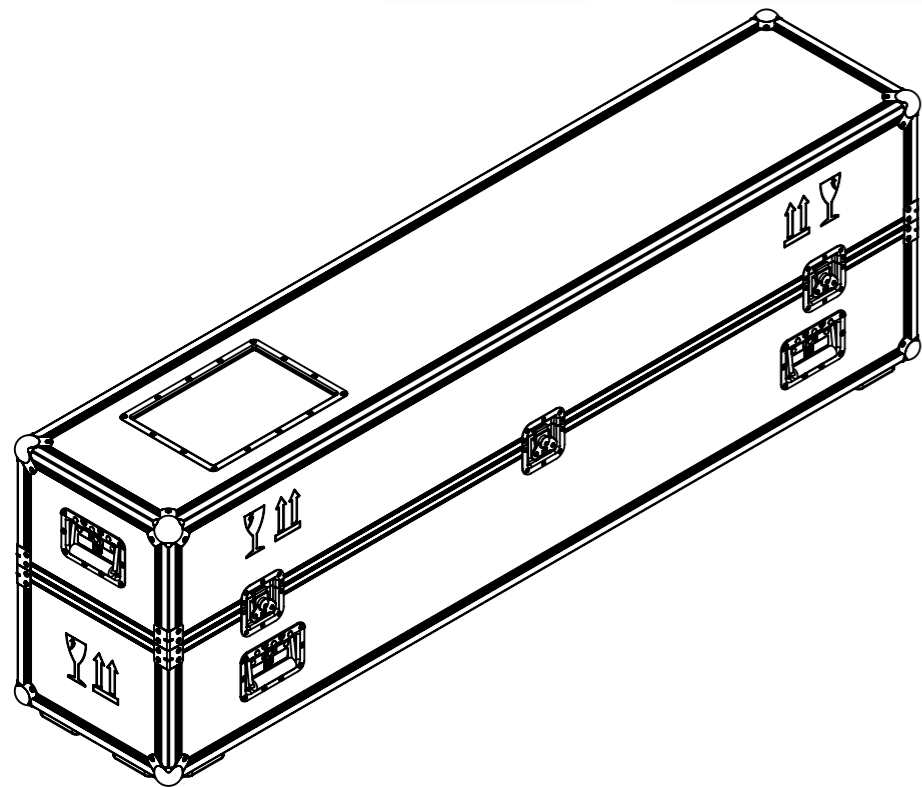
Internal Dimensions		
Width	Depth	Height
1800	346	520
Weight	Approx. 27 Kg	
Wall Thickness	7mm	



SECTION A-A



SECTION B-B



General External Dimensions
Usable Inner Dimensions (Ui)
Wood Inner Dimensions (WID)

This drawing must not be copied or disclosed without consent of the owner



Scale 1:13

units in mm
DO NOT SCALE
FC. SUBMERCIVEL XIV
1800X350X520

816.181J

general tolerance 0.8mm

Name Date

Drawn by CatarinaHenriques 25/05/2018

Reference

