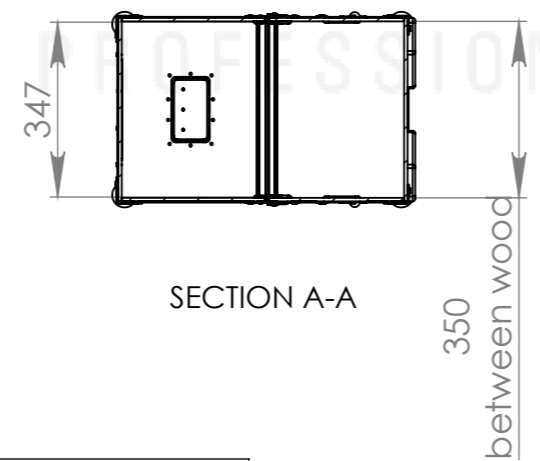
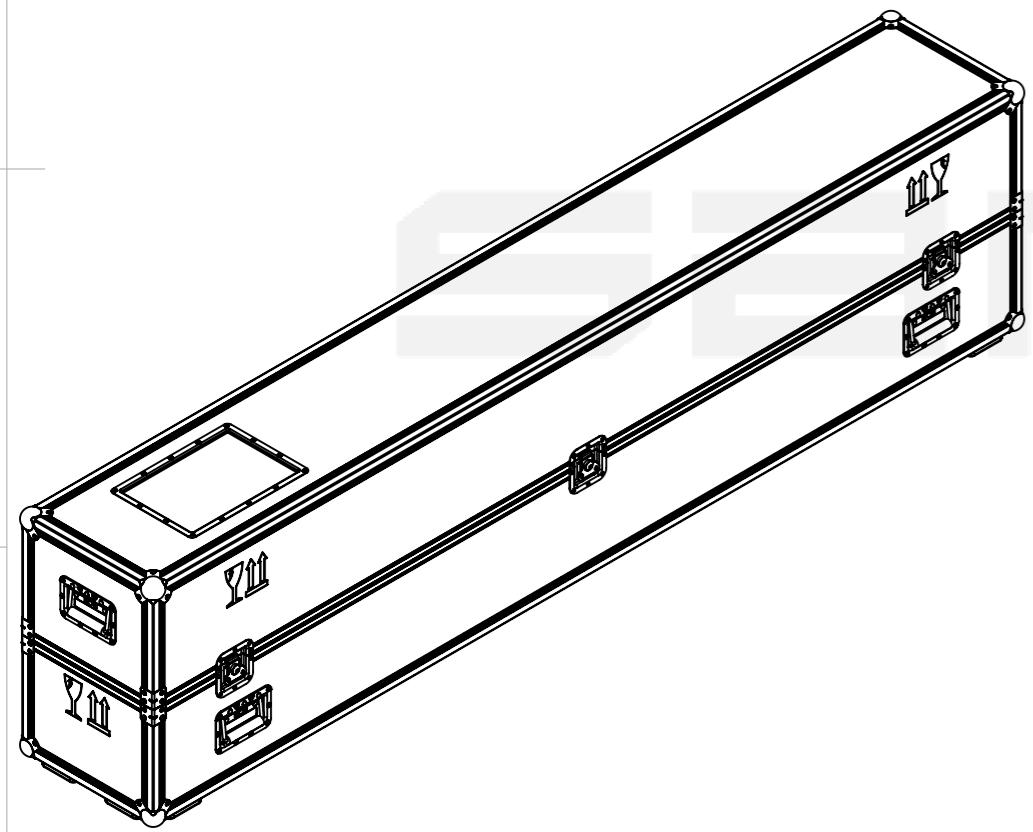
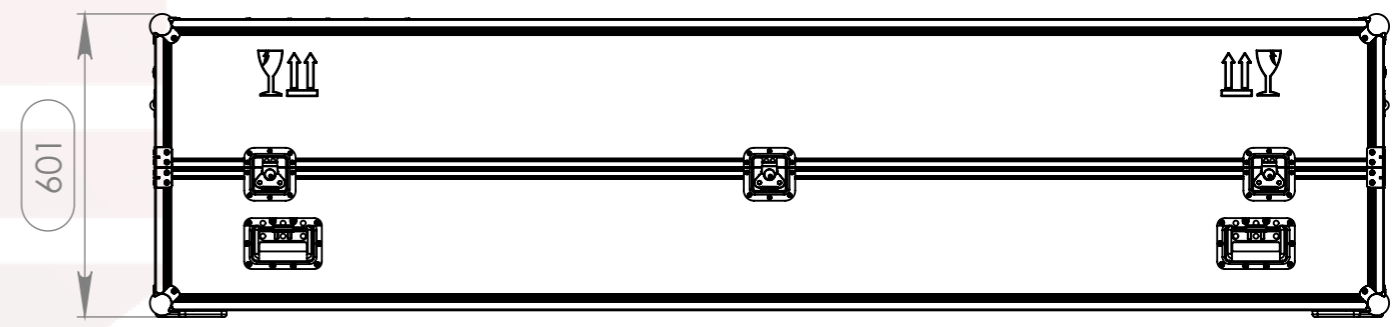
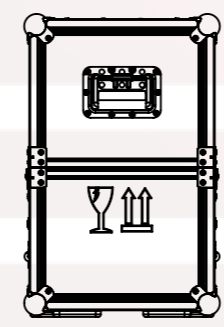
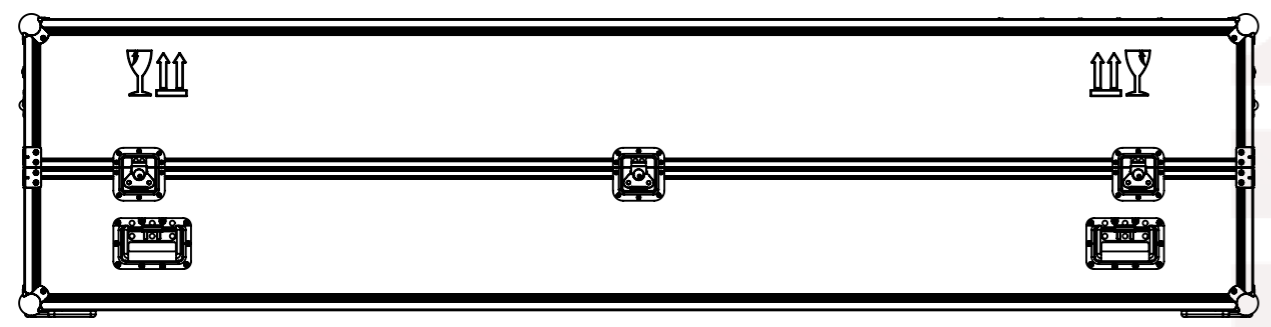
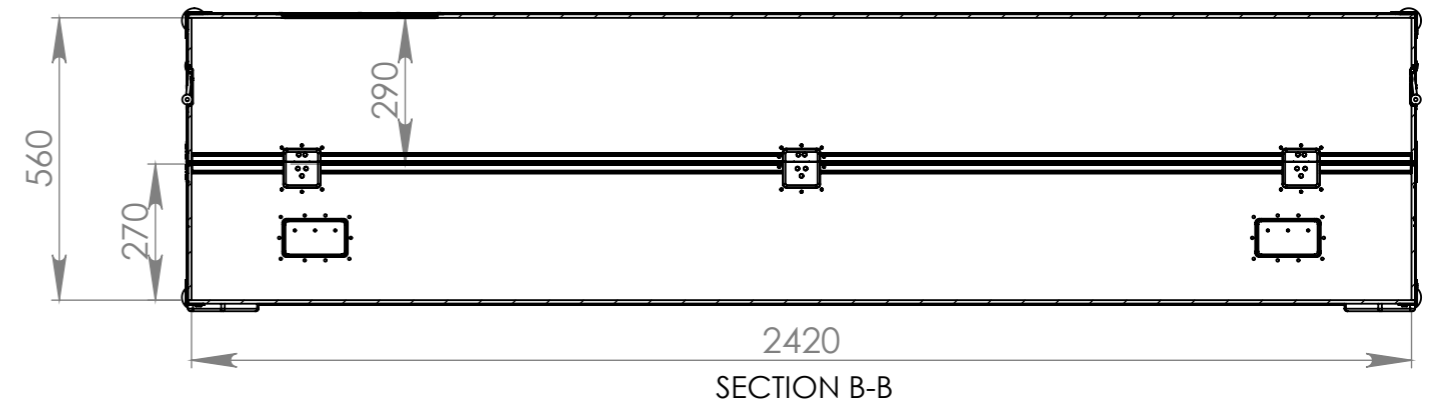


Internal Dimensions

Width	Depth	Height
2420	350	560
Weight	Approx. 36 Kg	
Wall Thickness		7mm



Hardware		
Qty	Ref.	Description
8	40403	Large corner bracket f. 35mm case angle
6	17290S	Key lockable medium Butterfly special
6	34082	Recessed Sprung Handle Medium
8	4120	Heavy duty ball corner, zinc plated
1	88005D	Dish for 88005 Tour Label

This drawing must not be copied or disclosed without consent of the owner

Drawn by	Name	Date
carlasilva	carlasilva	18/09/2017
Reference	816.181H	
Scale	units in mm	general tolerance
1:15	DO NOT SCALE	0.8mm
FC, SUBMERSIVEL 2420X350X560		

