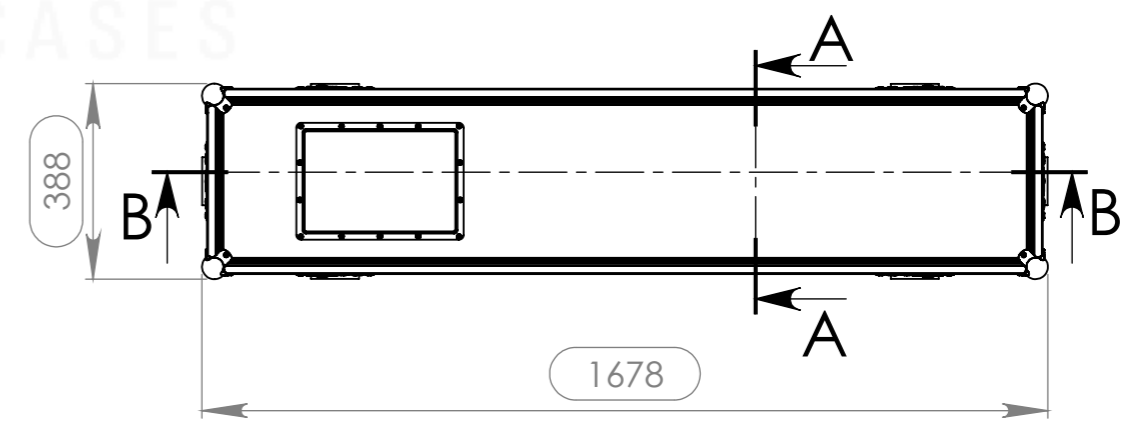
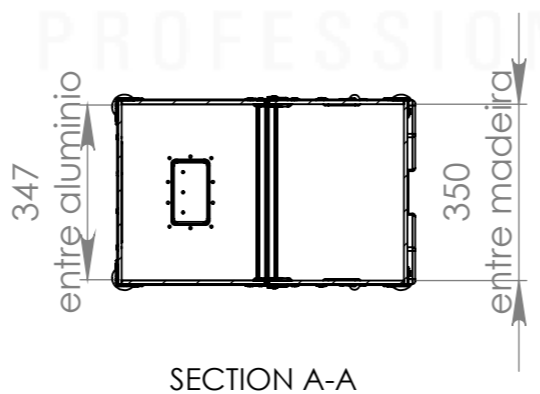
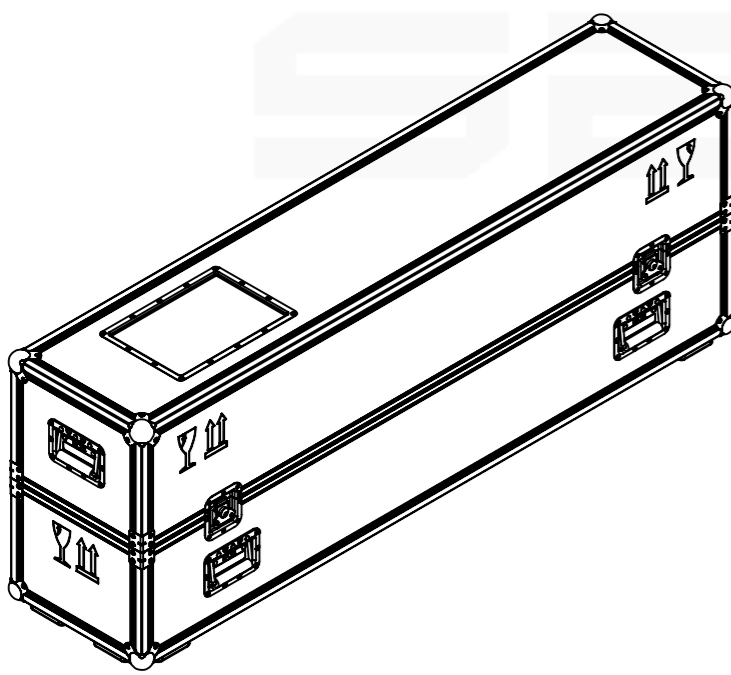
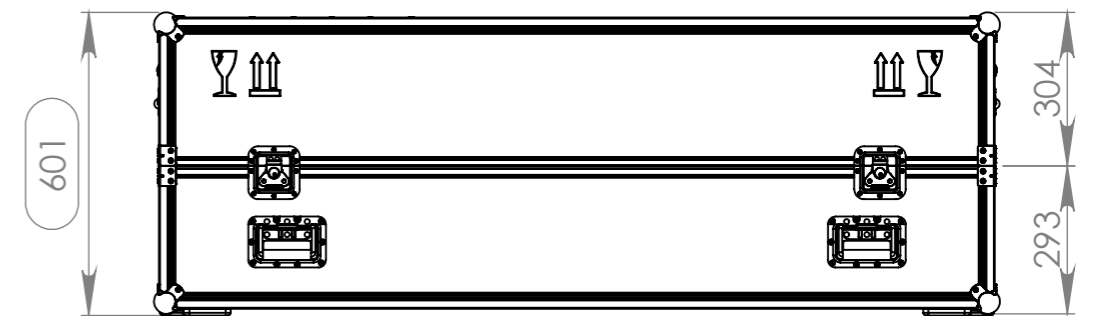
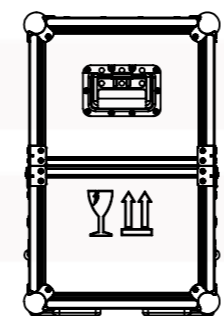
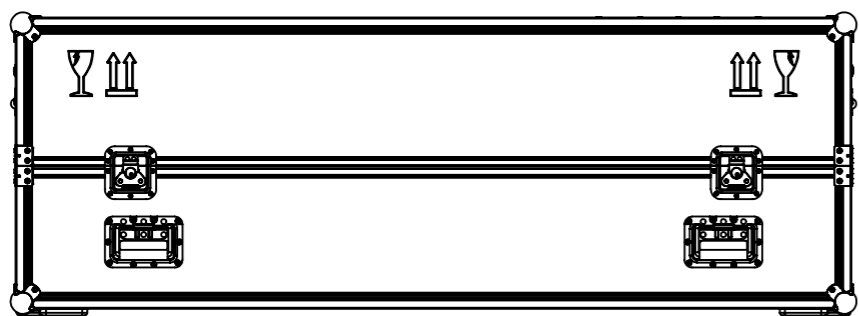
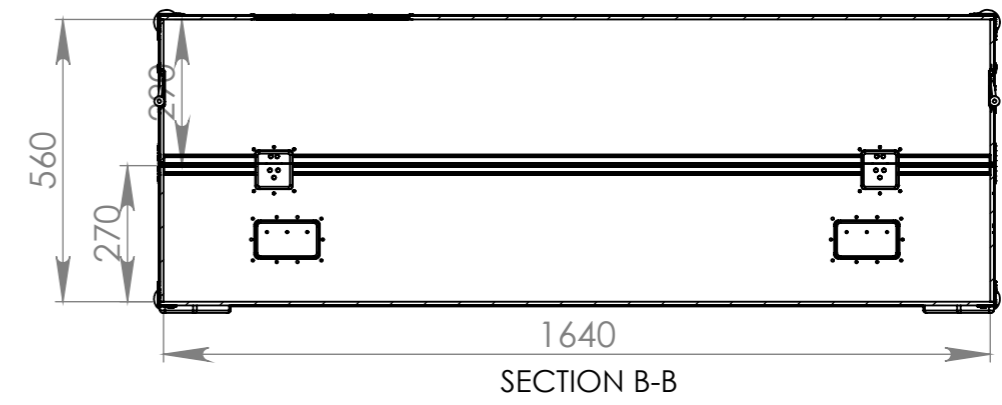


Interior dimensions

Width	Depth	Height
1640	350	560
Weight	Approx. 27 Kg	
Wall Thickness	7mm	



Hardware		
Qty	Ref.	Description
8	40403	Large corner bracket f. 35mm case angle
4	17290S	Key lockable medium Butterfly special
6	34082	Recessed sprung handle medium model
8	4120	Heavy duty ball corner, zinc plated
1	88005D	Dish for 88005 Tour Label

This drawing must not be copied or disclosed without consent of the owner

Drawn by	Name	Date
ezequiel	ezequiel	30-01-2017
Reference	816.181B	
Scale	units in mm	general tolerance
1:15	DO NOT SCALE	0.8mm
1st Angle projection	FC. SUBMERCIVEL III 2240X350X520	

