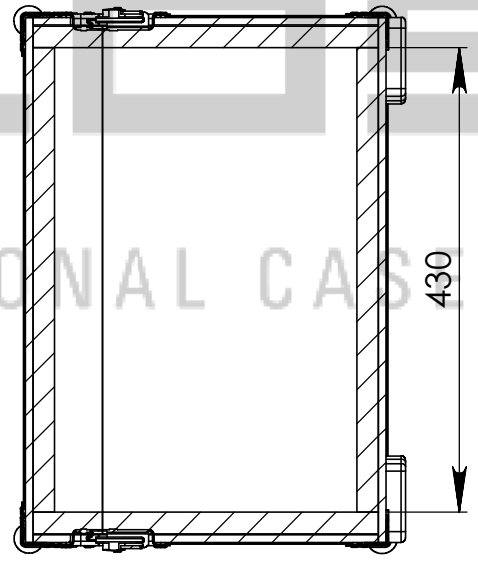
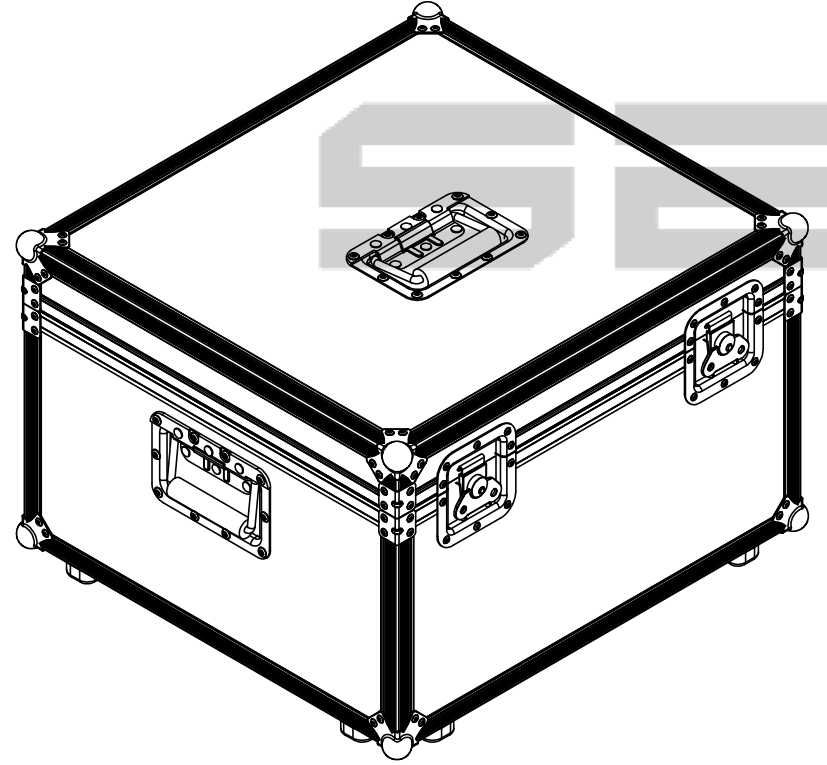
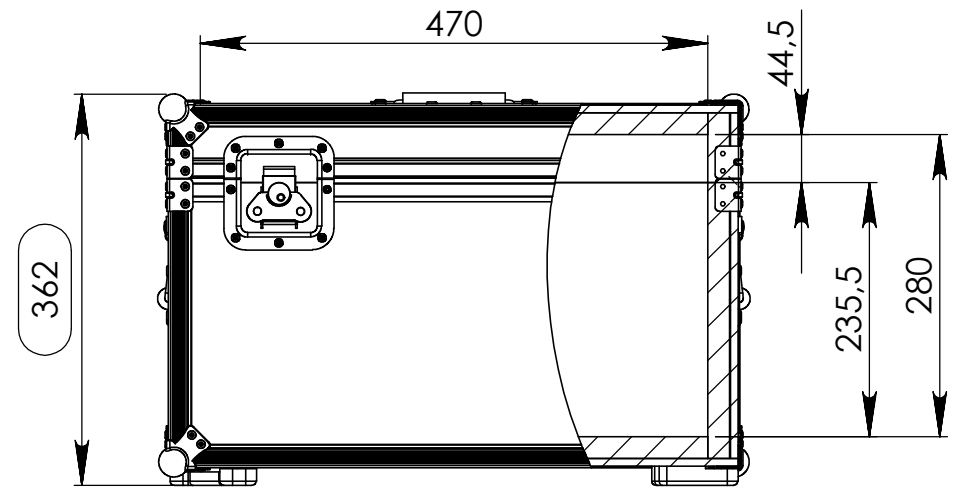
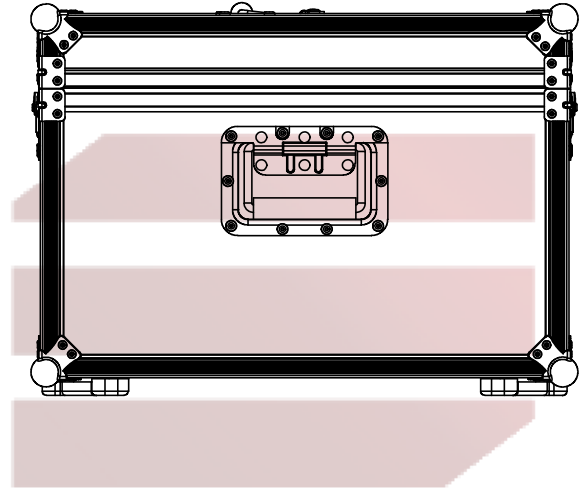
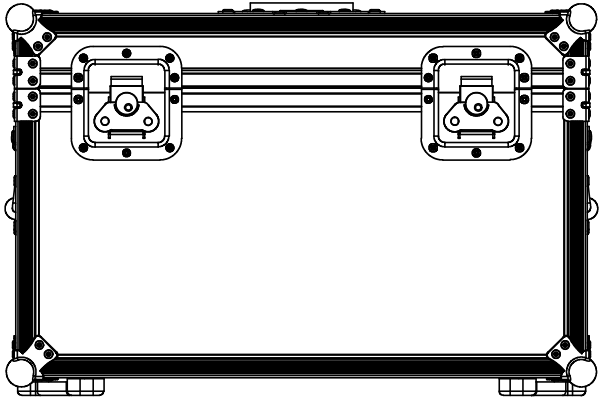
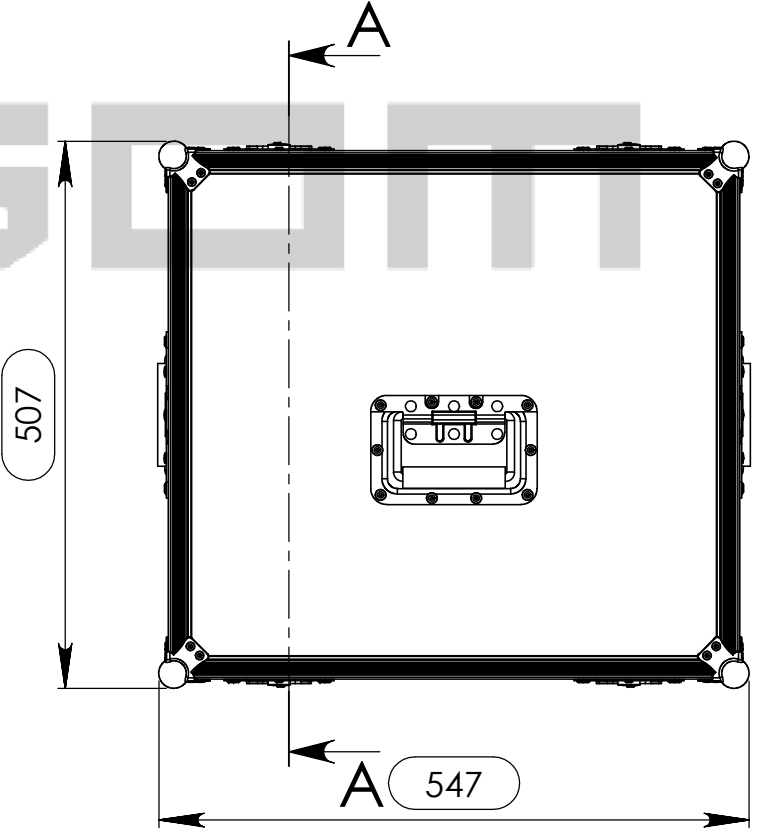


Interior dimensions		
Width	Depth	Height
470	430	280
Weight	Approx. 10 Kg	
Wall Thickness		7mm

REVISIONS				
ZONE	REV.	DESCRIPTION	DATE	APPROVED
-	0	Final Drawing	24/03/2014	Daniel Lopes



SECTION A-A



Hardware		
Qty	Ref.	Description
8	40407	Medium corner-brace zinc plated 1,0mm
8	4112	Small ball corner - 3 leg - zinc plated
3	34082	Recessed sprung handle medium model
4	17290S	Key lockable medium Butterfly special

This drawing must not be copied or disclosed without consent of the owner

Drawn by	Name	Date
DanielLopes	DanielLopes	24-03-2014
Reference	816.146	
Scale	units in mm	general tolerance
1:7	DO NOT SCALE	0,5mm
FC. MAT. DIVERSO 470X430X280 MM		

