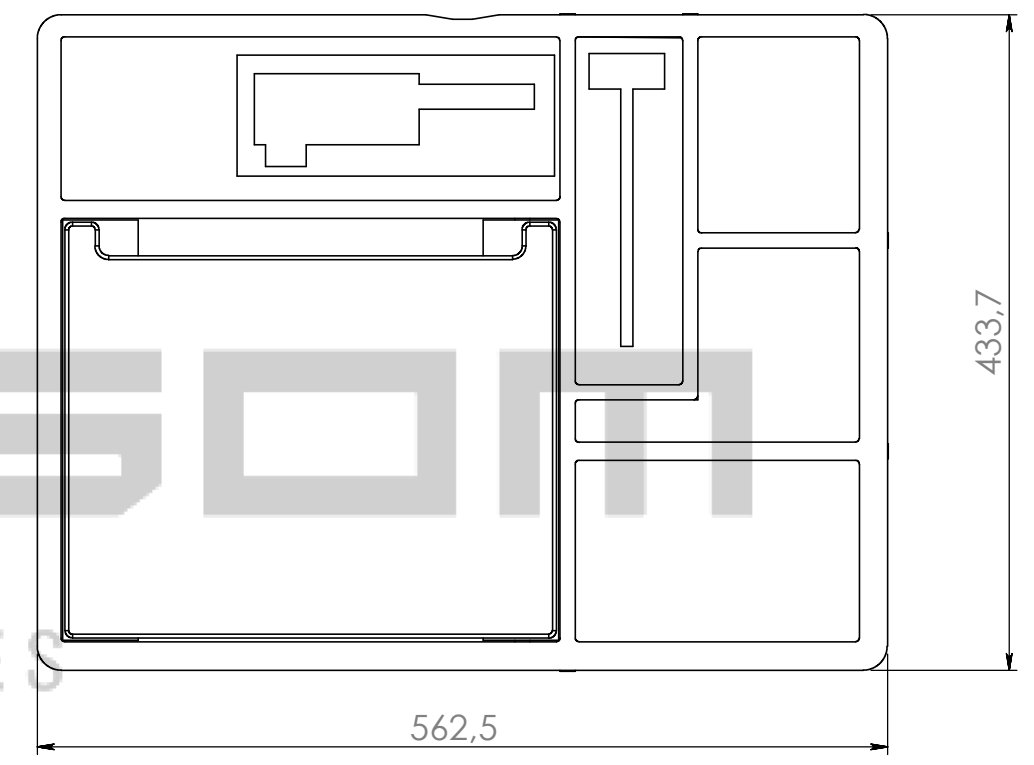
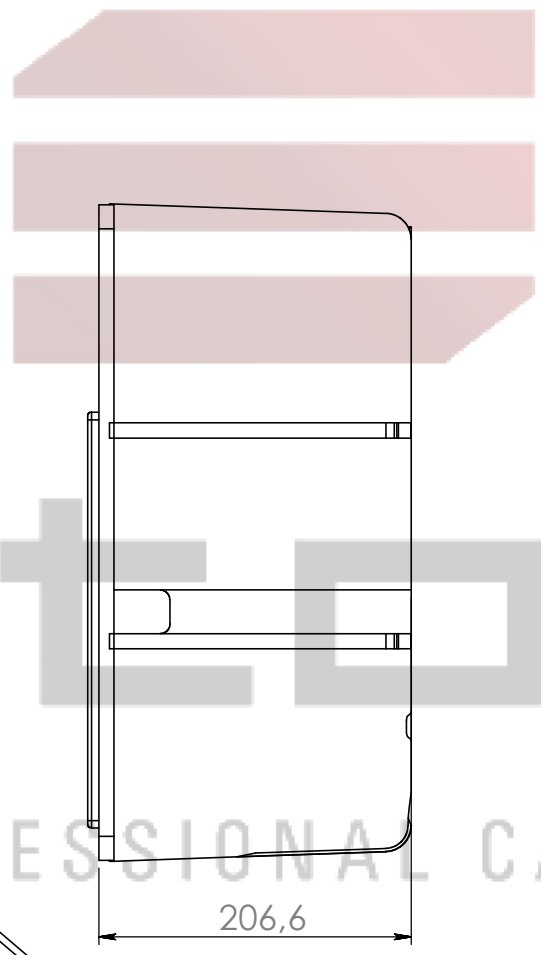
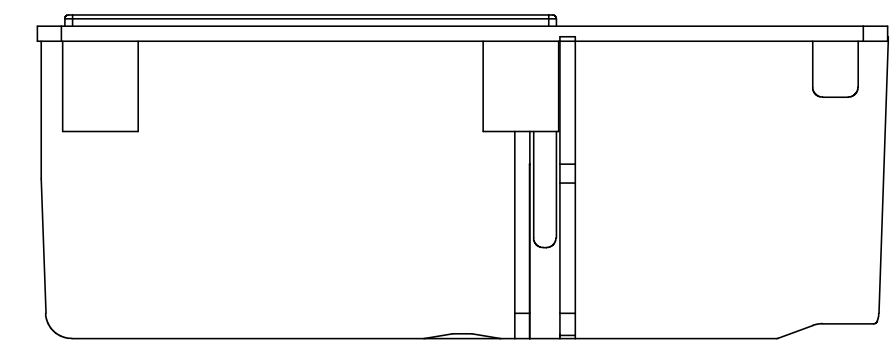
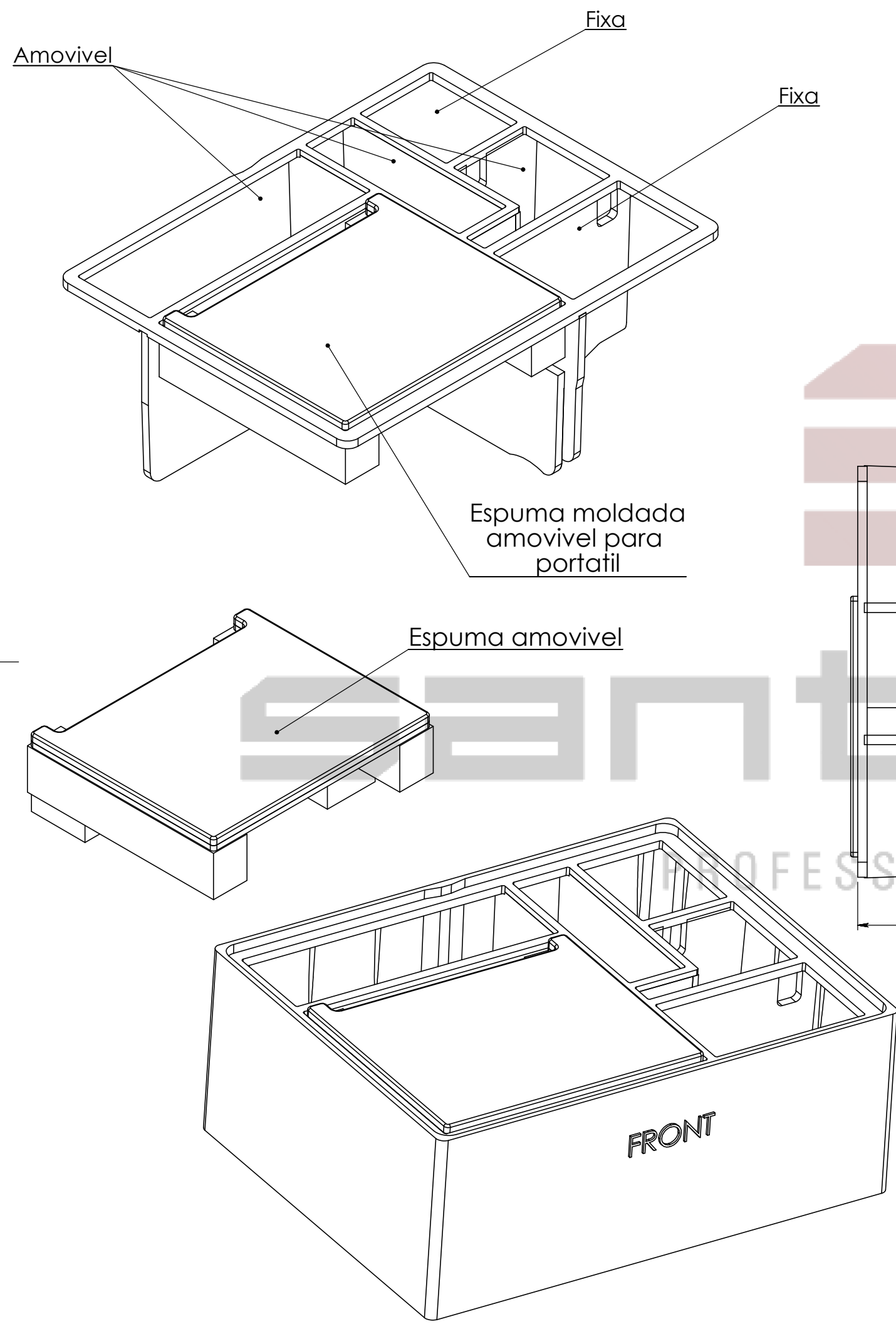


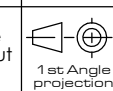
Revision Table				
Index	Rev.	Description	Date	Draw
-	0	Final Drawing	17/09/2013	Pedro Neves



Drawn by	Name	Date
pedroneves	pedroneves	04-10-2013
Reference	816.134	
Scale	units in mm	general tolerance
1:5	DO NOT SCALE	±0,3mm
INTERIOR P/ PEU CASE 1600, DIVISÓRIAS E ESPUMA		



This drawing must not be copied or disclosed without consent of the owner



A3