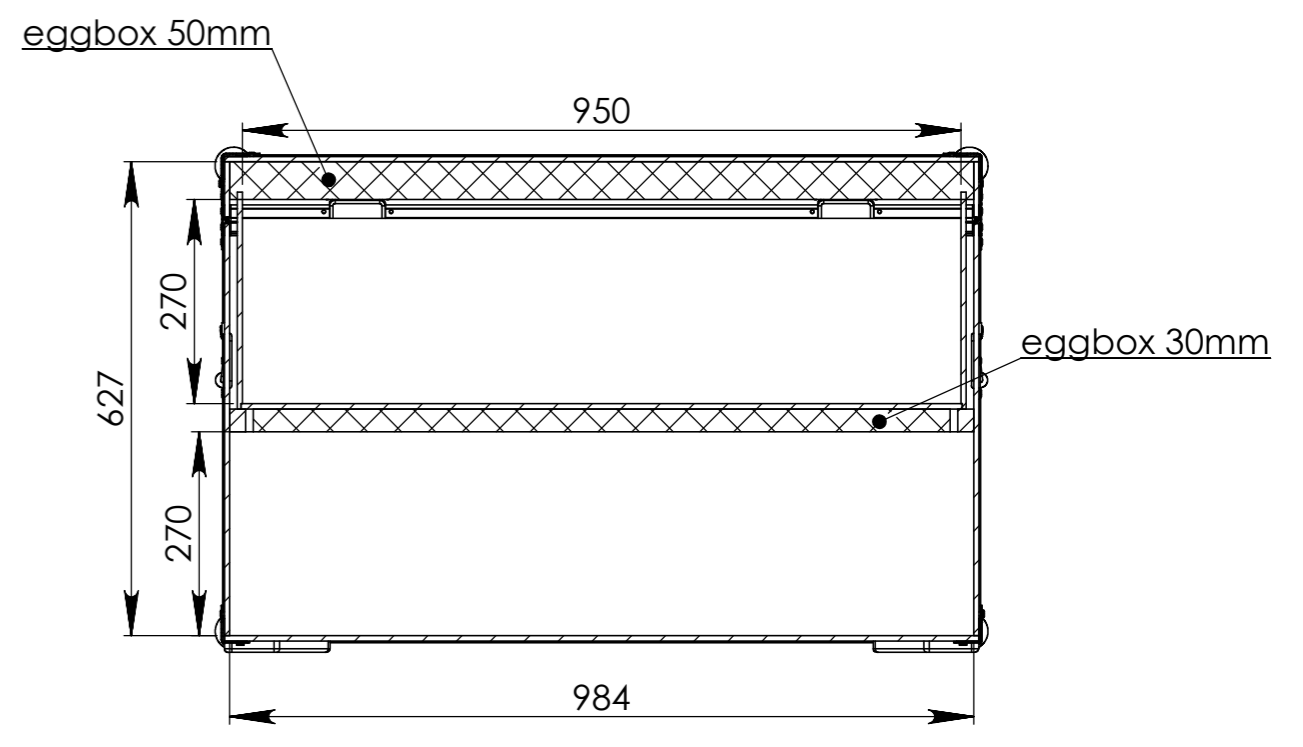
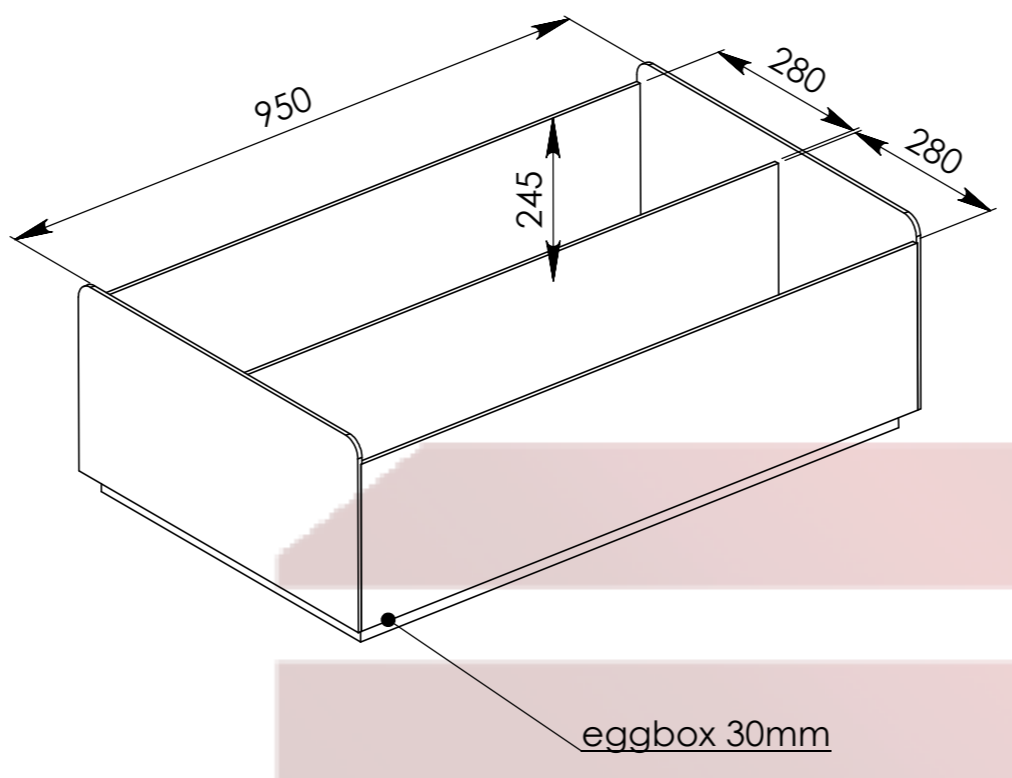
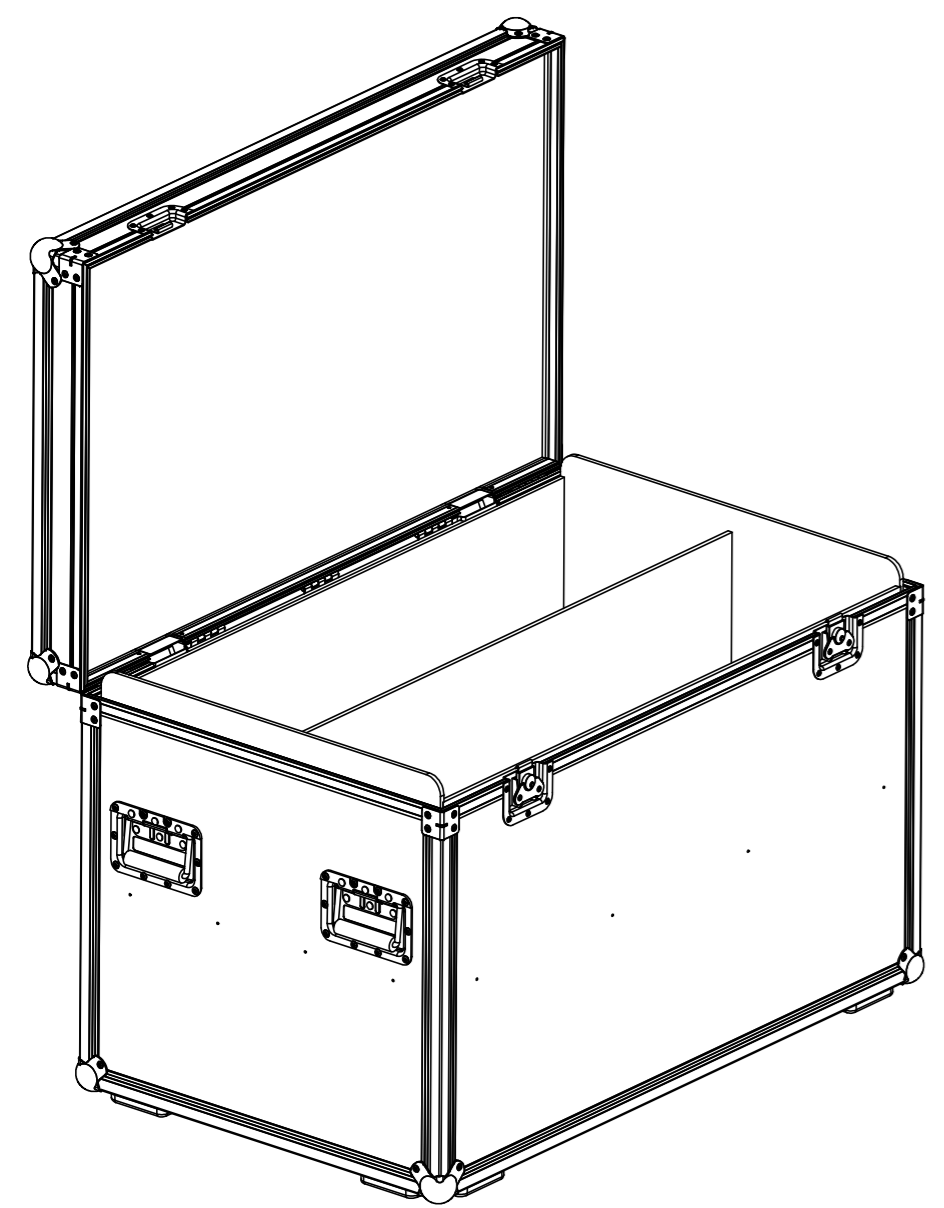
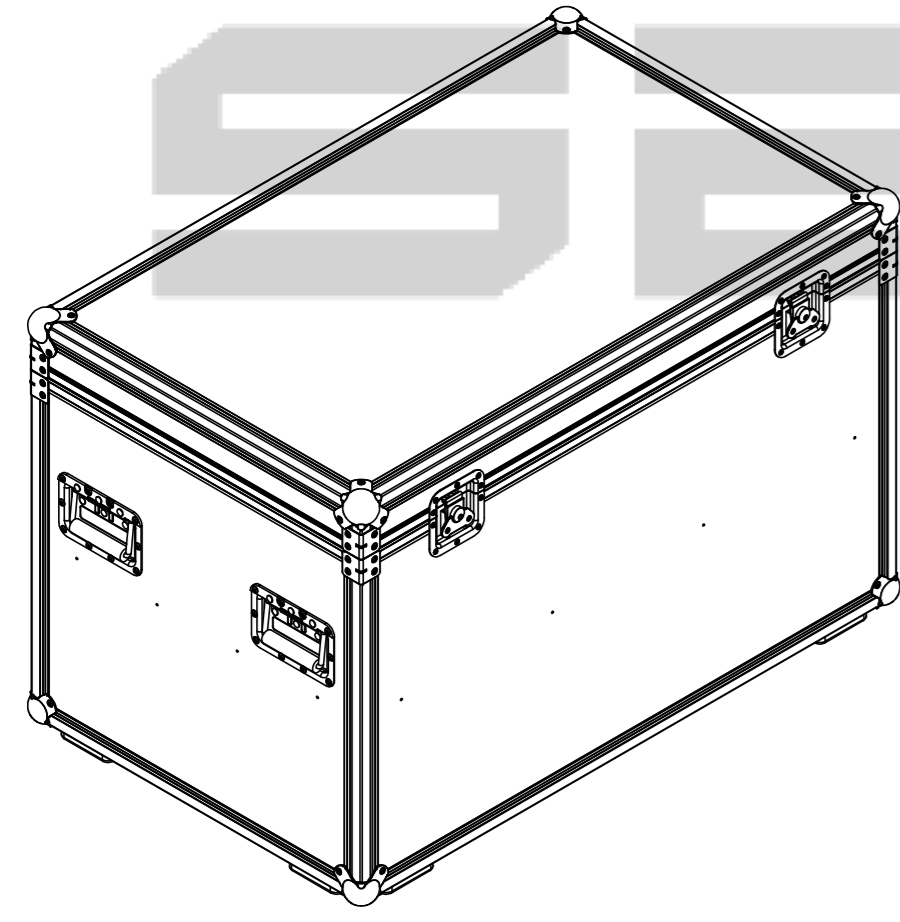
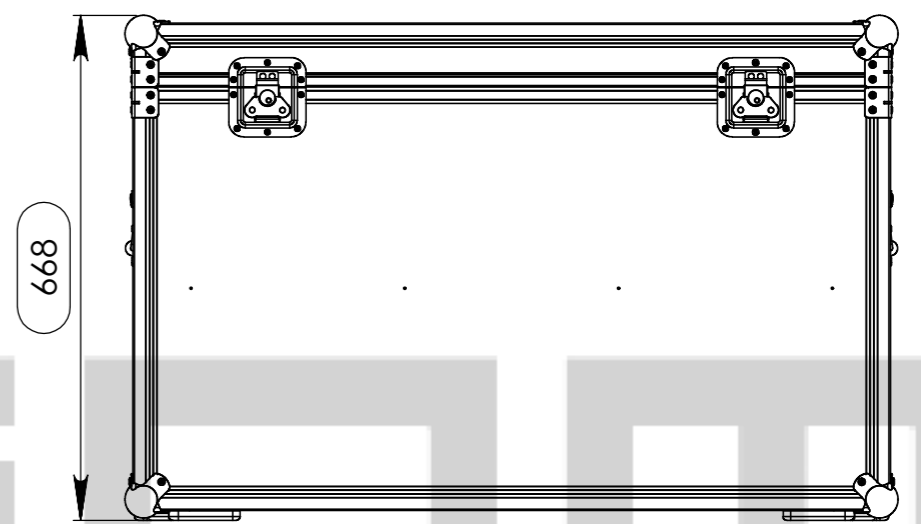
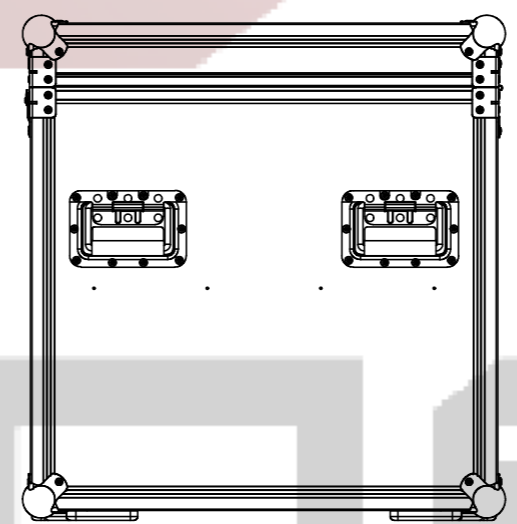
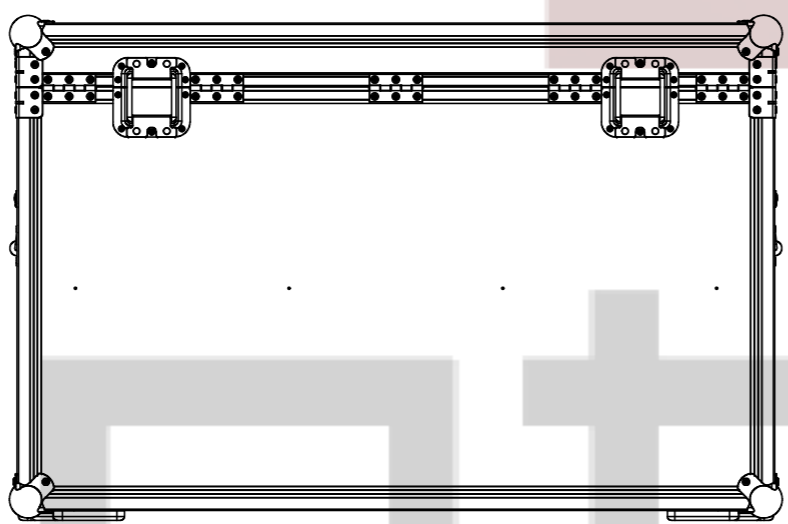


Interior dimensions		
Width	Depth	Height
984	600	577
Weight	Approx. 35 Kg	
Wall Thickness	7mm	

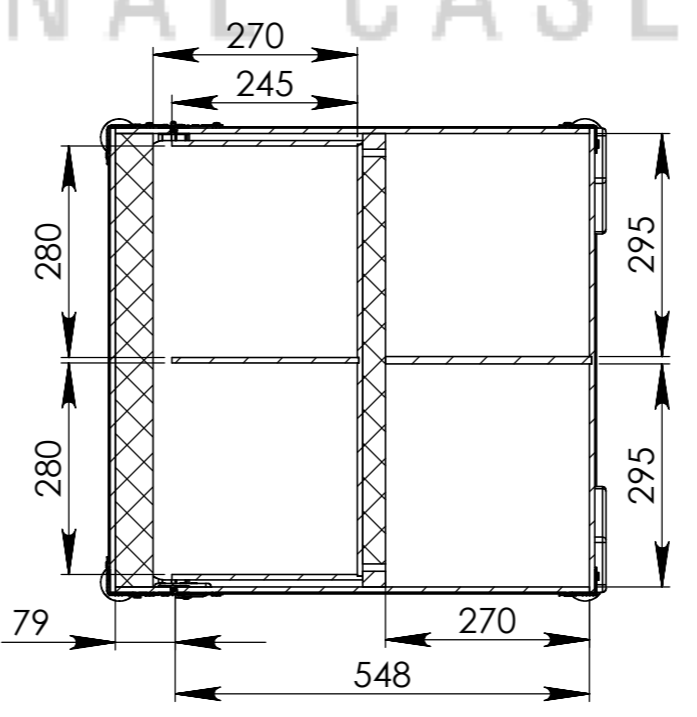
REVISIONS				
ZONE	REV.	DESCRIPTION	DATE	APPROVED
-	-	Final Drawing	26/03/2014	Daniel Lopes



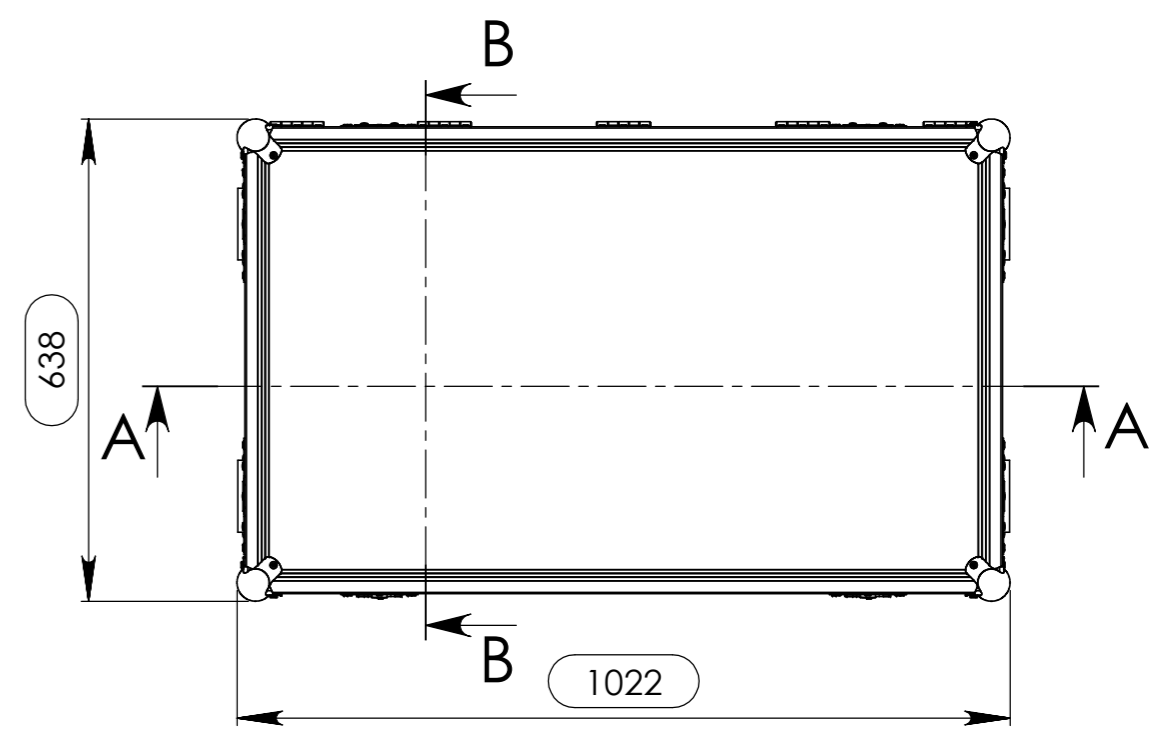
SECTION A-A



PROFESSIONAL CASES



SECTION B-B



Hardware		
Qty	Ref.	Description
8	40403	Large corner bracket f. 35mm case angle
4	34082	Recessed sprung handle medium model
2	17290S	Key lockable medium Butterfly special
2	2709	Medium recessed lid stay
5	2602	Medium duty butt hinge z./p.
8	4120	Medium ball corner zinc plated

Drawn by	Daniel Lopes	Name	Daniel Lopes	Date	26-03-2014
Reference	814.1232	Scale	1:10	general tolerance	± 0.1mm
<small>           This drawing must not be copied or disclosed without consent of the owner         </small>		<small>           1st Angle projection         </small>	<small>           DO NOT SCALE            FC: 70 PRATOS            950X587X627         </small>		