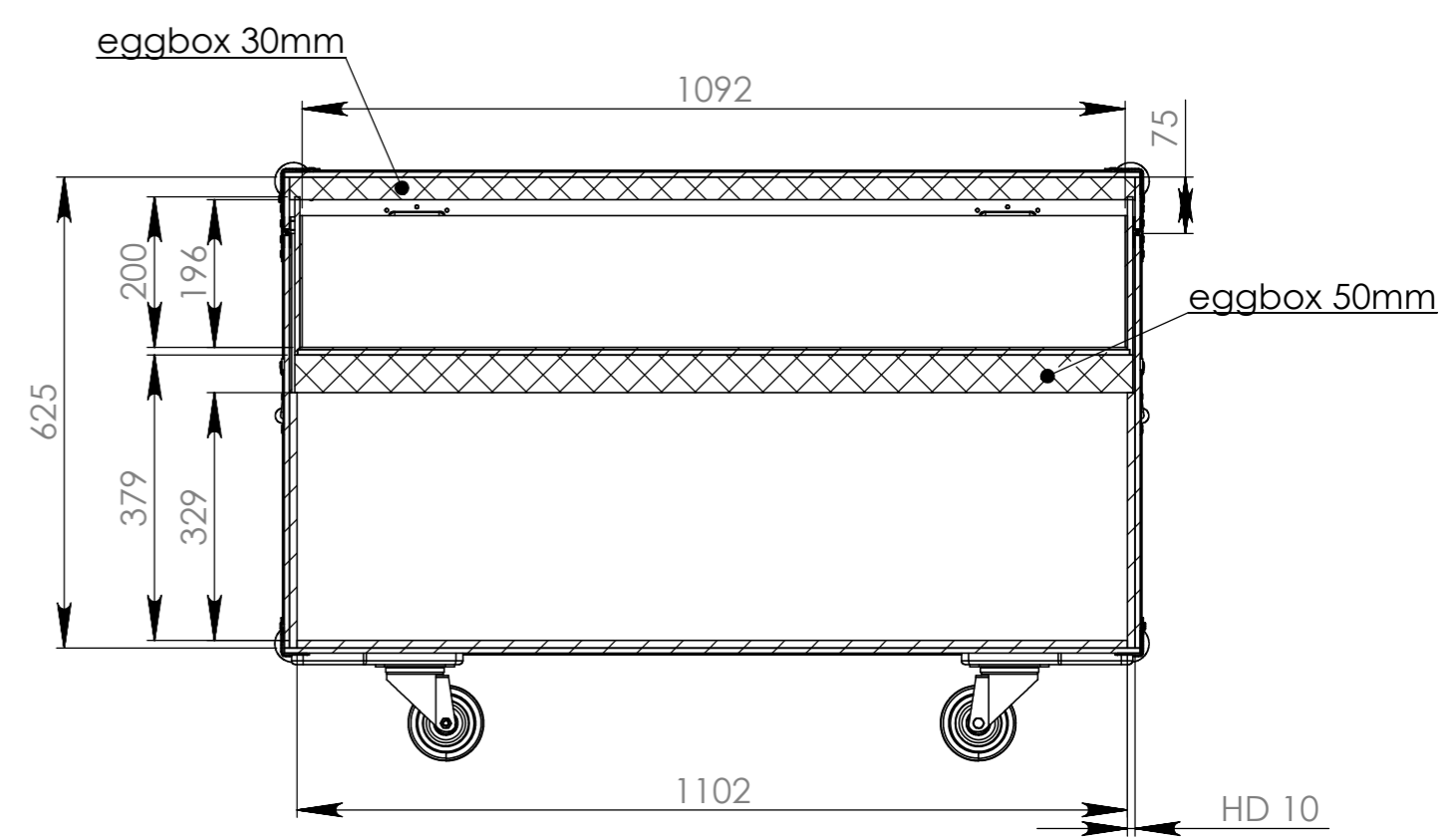
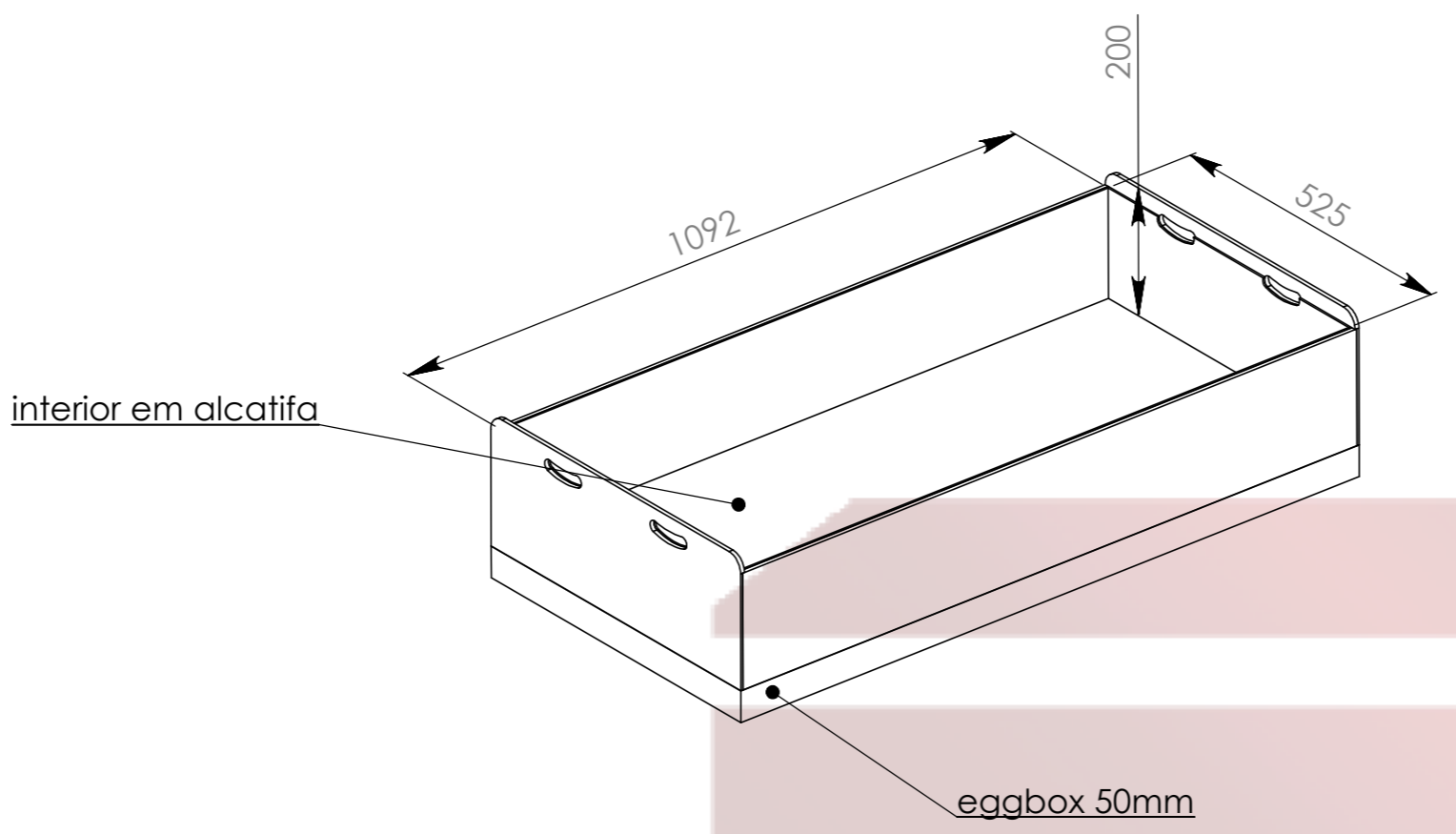
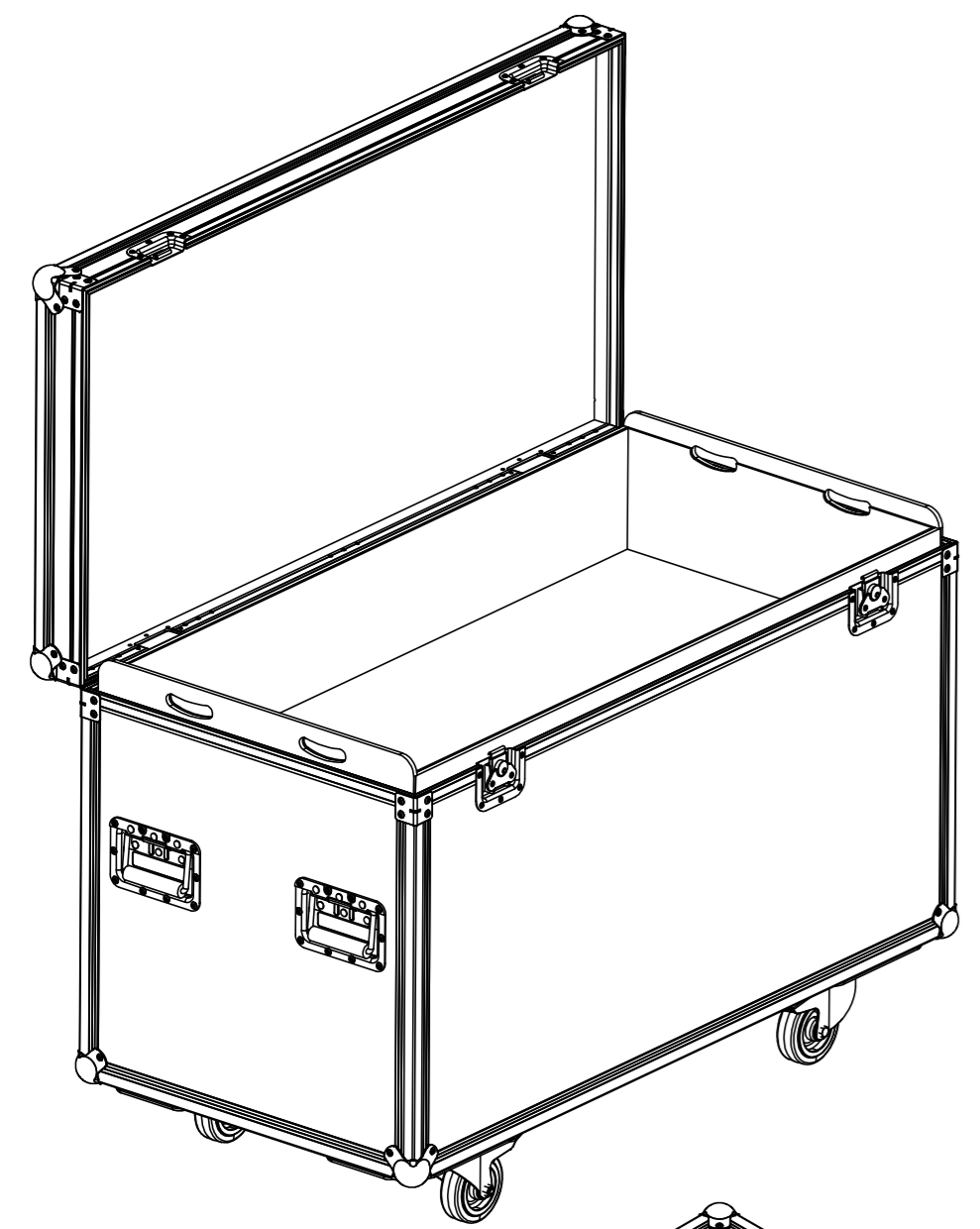
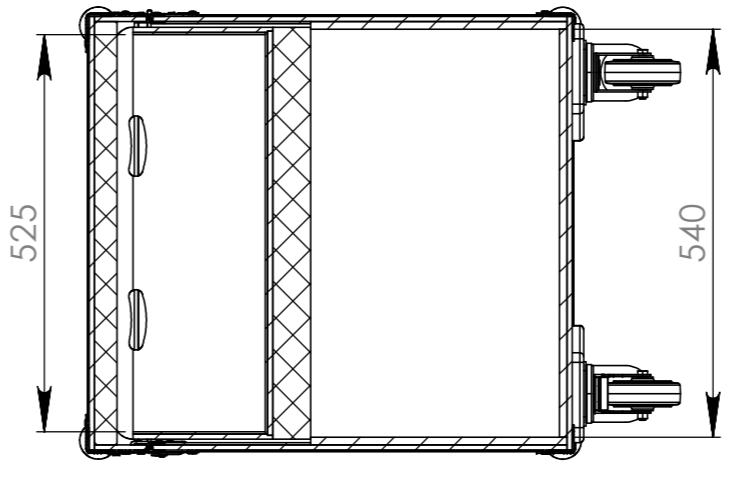
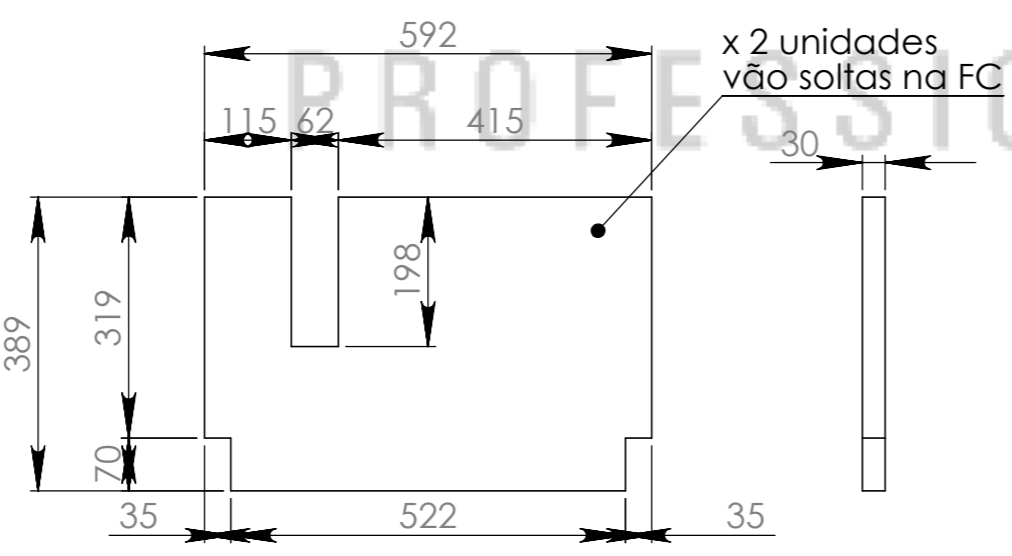
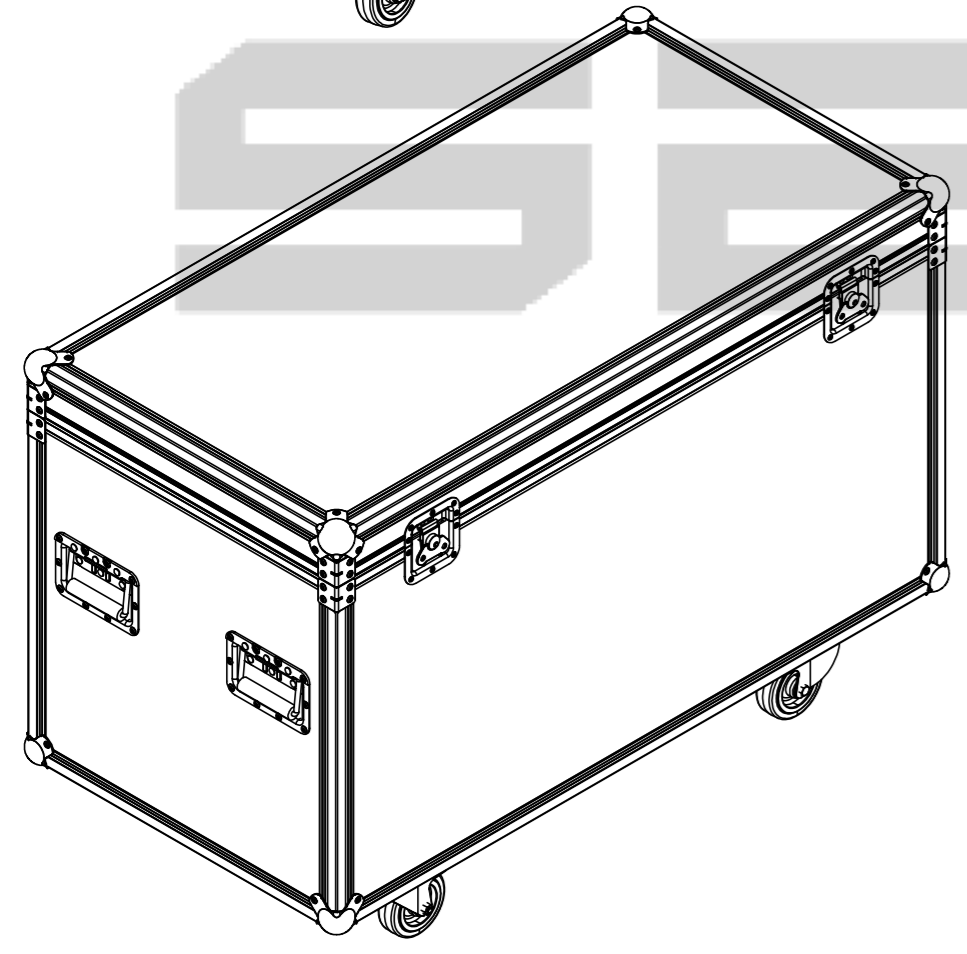
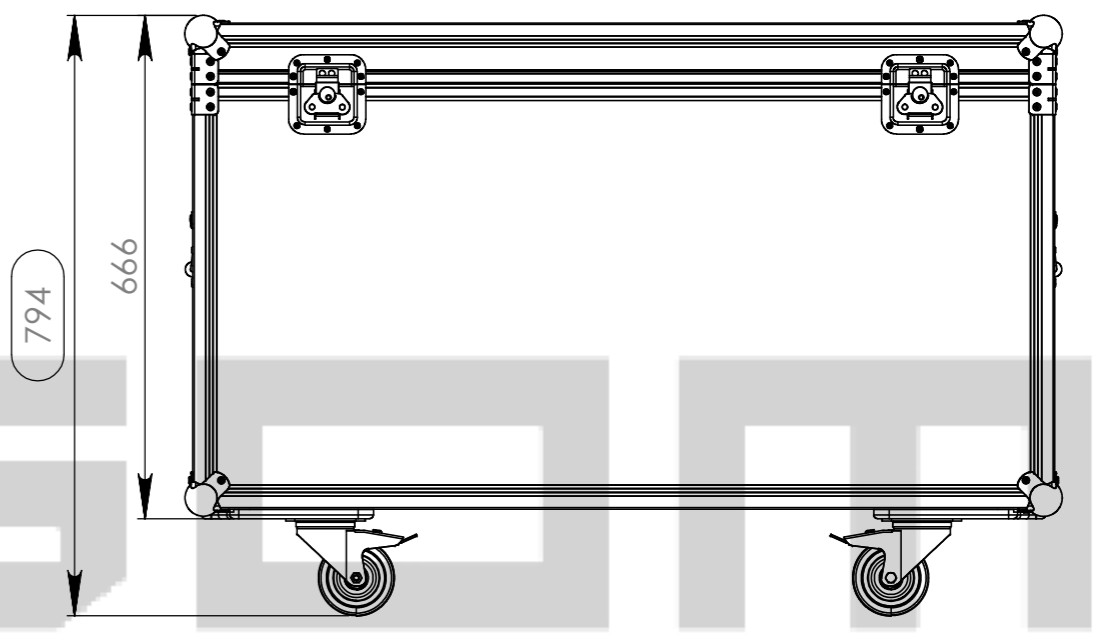
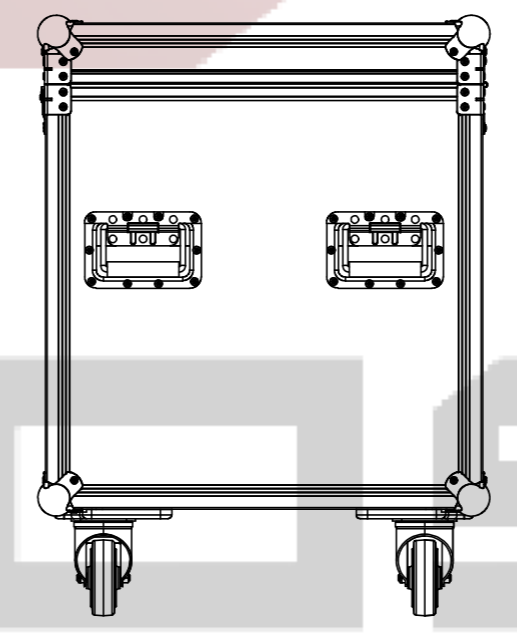
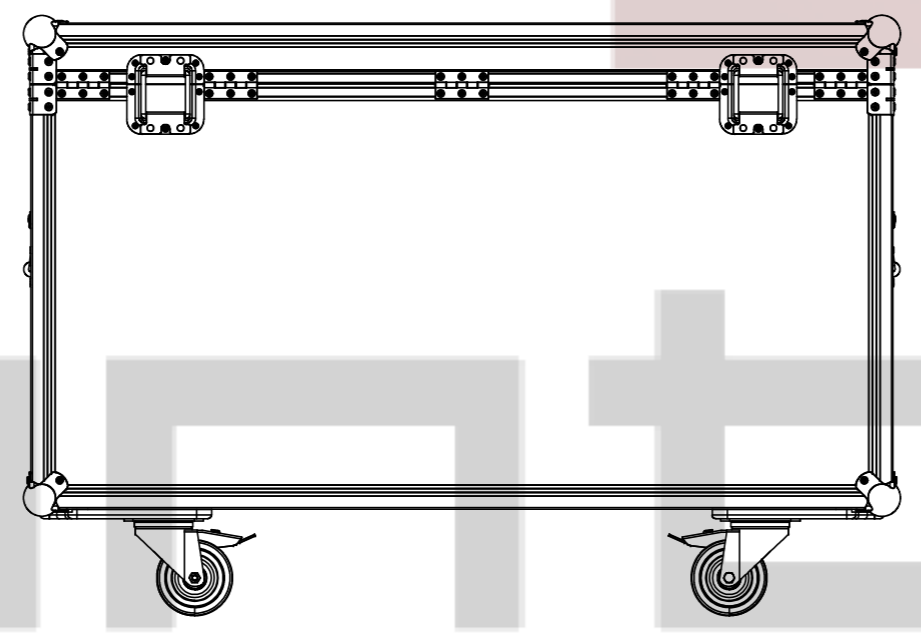


Interior dimensions		
Width	Depth	Height
1102	540	585
Weight	Approx. 36 Kg	
Wall Thickness	7mm	

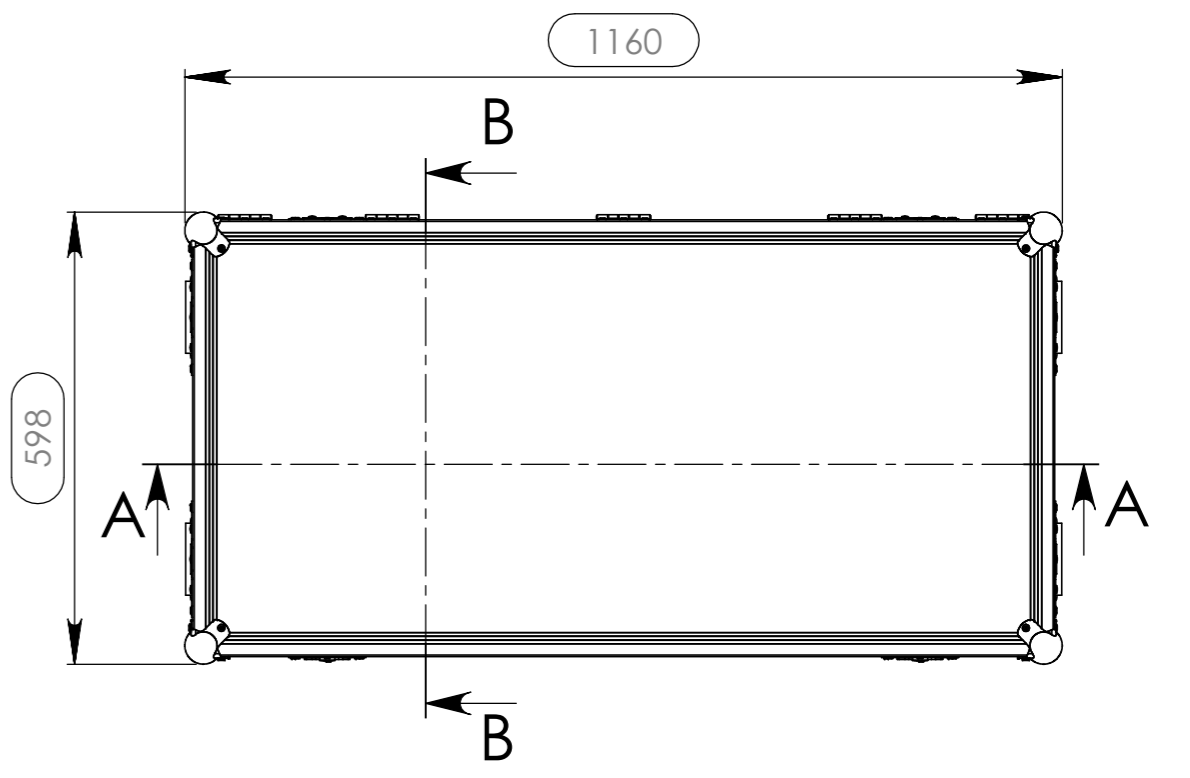
REVISIONS				
ZONE	REV.	DESCRIPTION	DATE	APPROVED
-	-	Final Drawing	18/06/2013	Daniel Lopes



SECTION A-A



SECTION B-B



Hardware		
Qty	Ref.	Description
8	40403	Large corner bracket f. 35mm case angle
8	4120	Medium ball corner zinc plated
4	34082	Recessed sprung handle medium model
2	17290S	Key lockable medium Butterfly special
2	2709	Medium recessed lid stay
5	2602	Medium duty butt hinge z./p.
2	RODA.100T	Swivel castor Ø100 mm with brake
2	RODA.100	Swivel castor Ø100 mm

Drawn by	Daniel Lopes	Name	Daniel Lopes	Date	18-06-2013
Reference	816.118	Scale	1:10	general tolerance	±0.3mm
<small> This drawing must not be copied or disclosed without consent of the owner 1st Angle projection FC: W1122X540MMXH634MM RODAS </small>					