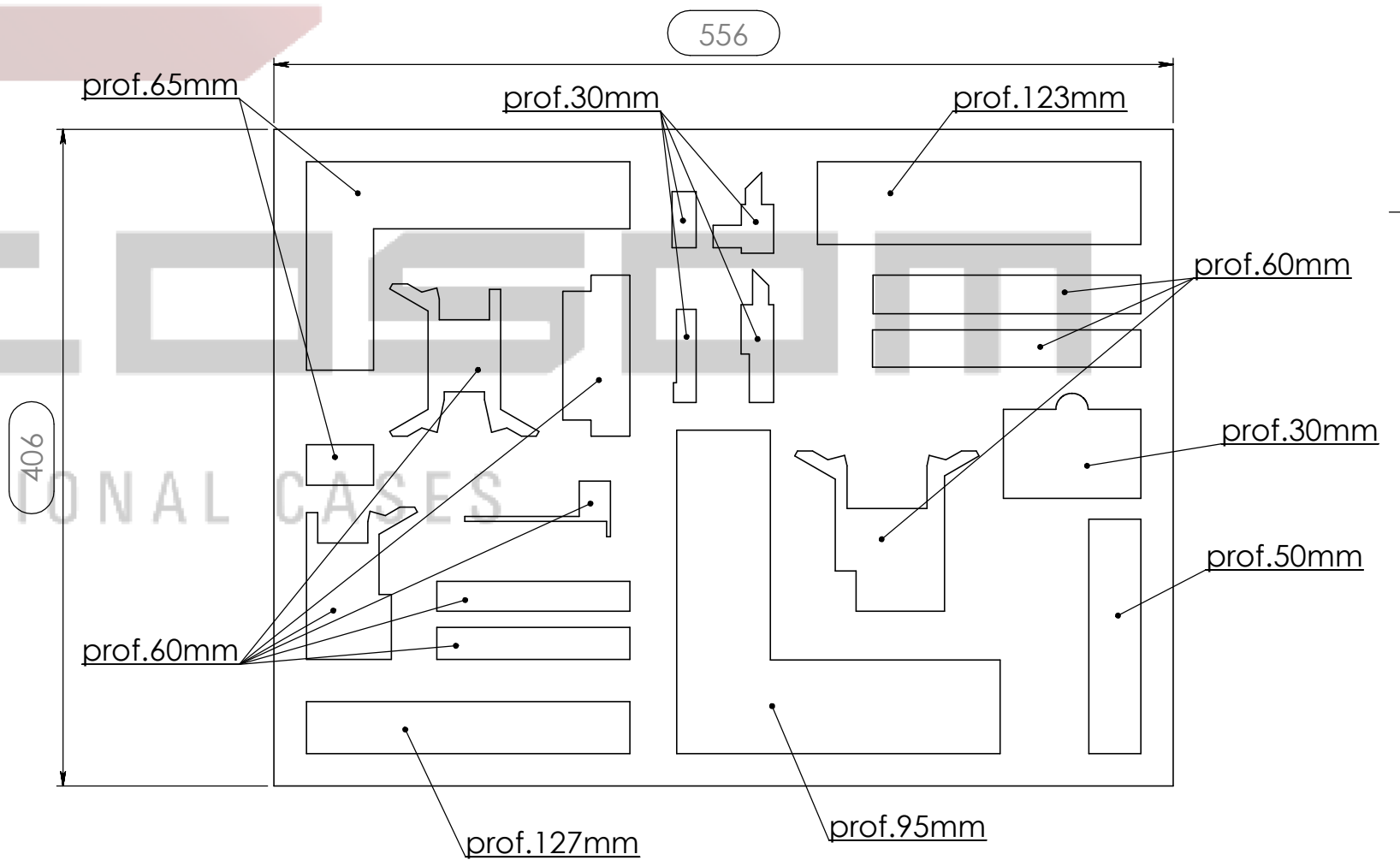
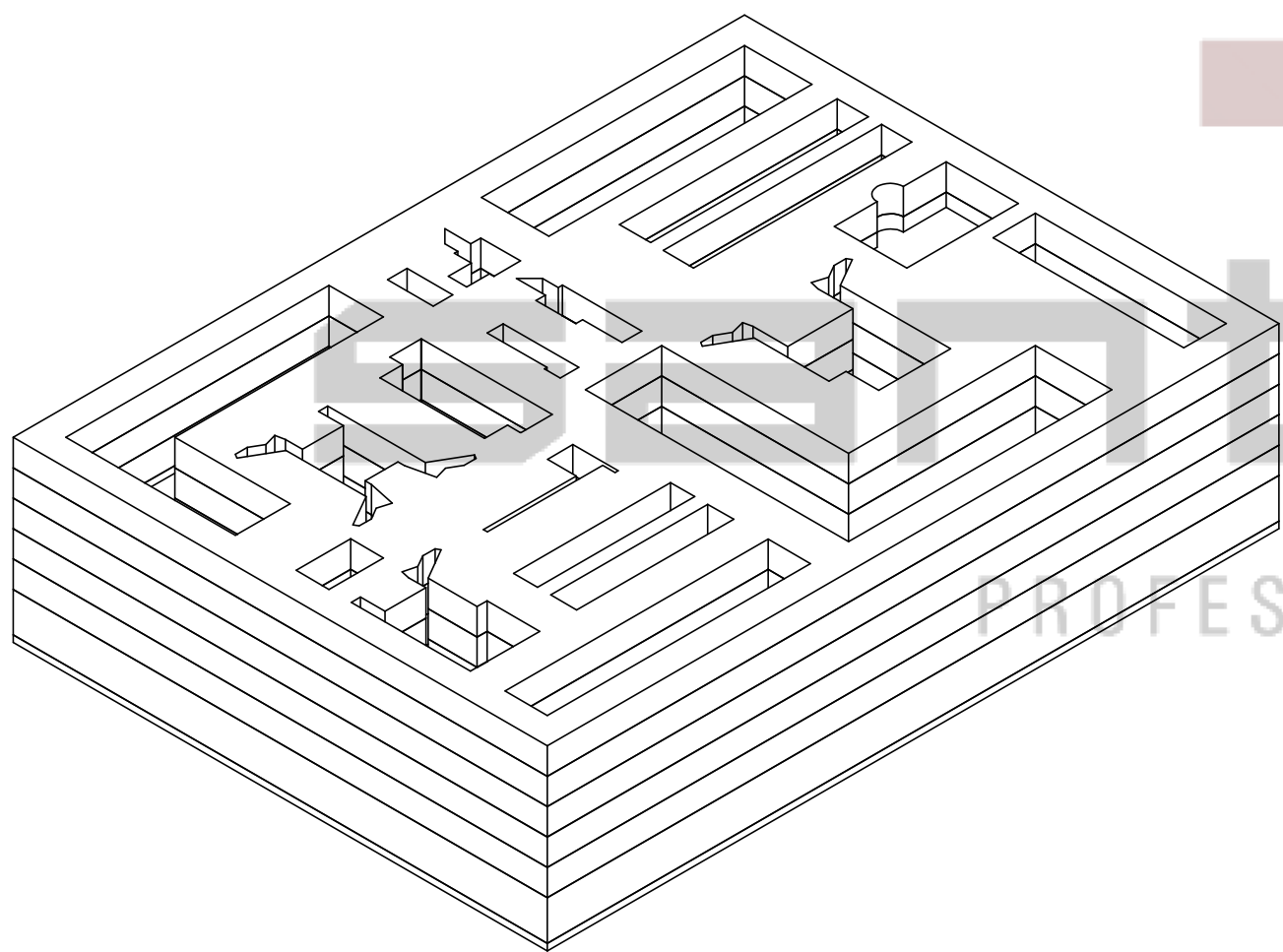
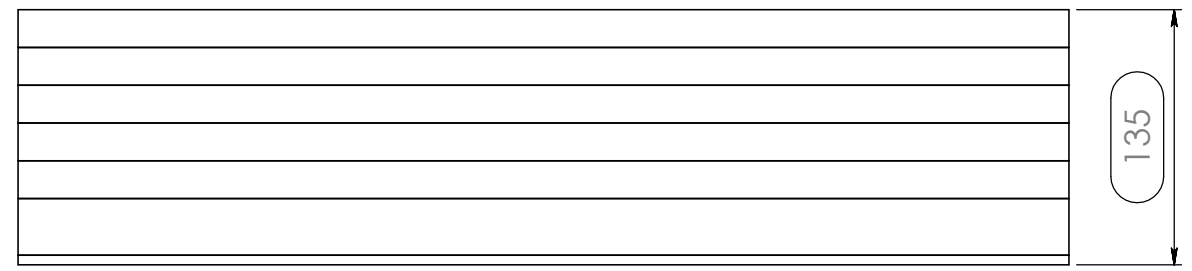
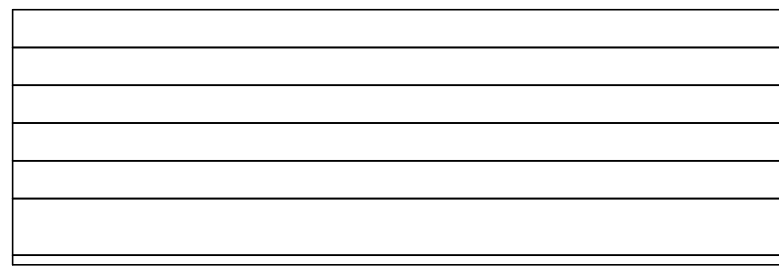


Medidas Maximas

Largura	Profundidade	Altura
556	406	135

TABELA DE REVISÕES

ZONA	REV.	DESCRIÇÃO	DATA	DESENHO



Name	Date
Drawn by: DaniellOpes	02-05-2013
Reference	000000
Scale	1:4
units in mm	general tolerance 0.8mm
DO NOT SCALE	000000
1st Angle projection	H36 355MMX345MMXH90MM



This drawing must not be copied or disclosed without consent of the owner

A3