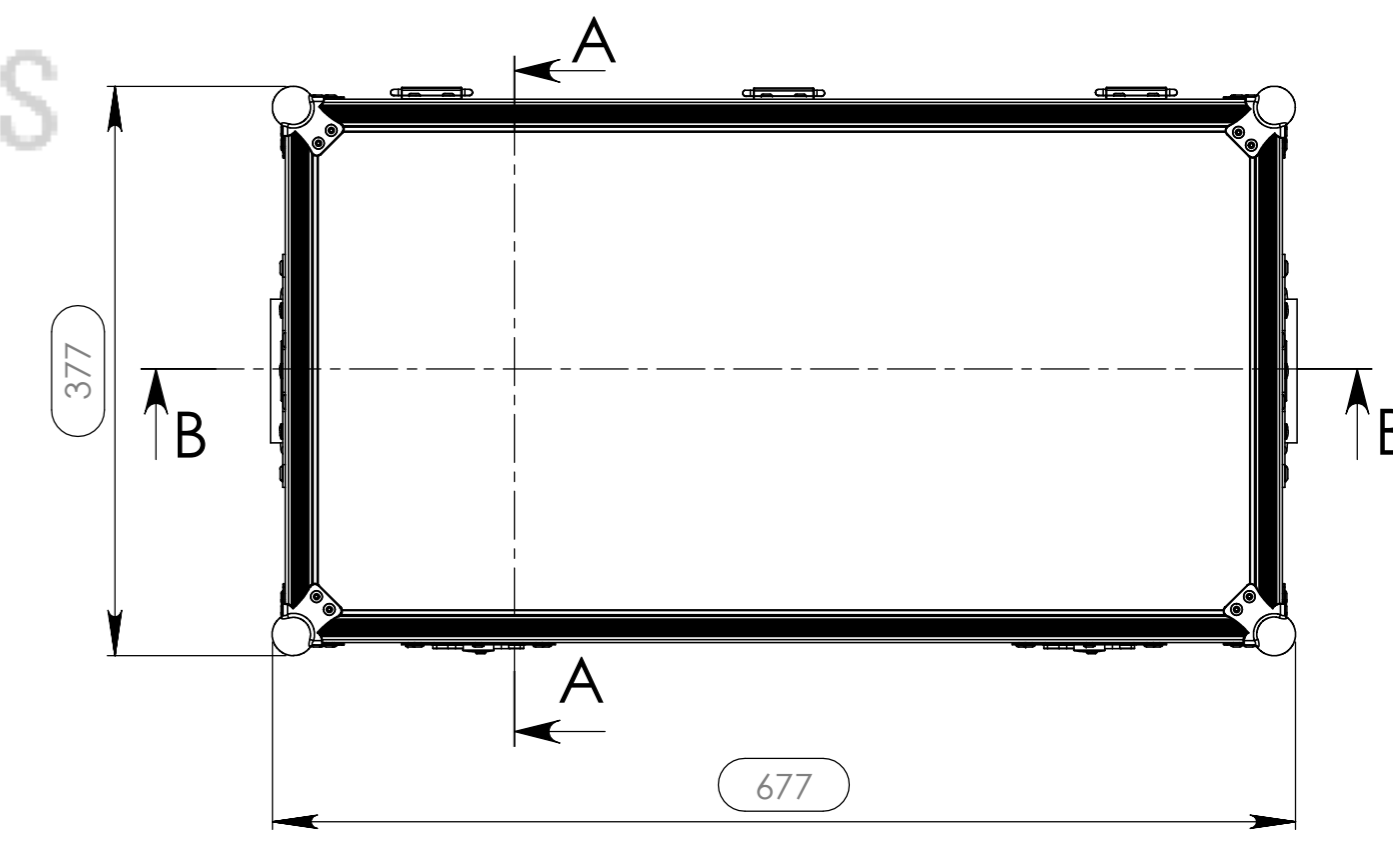
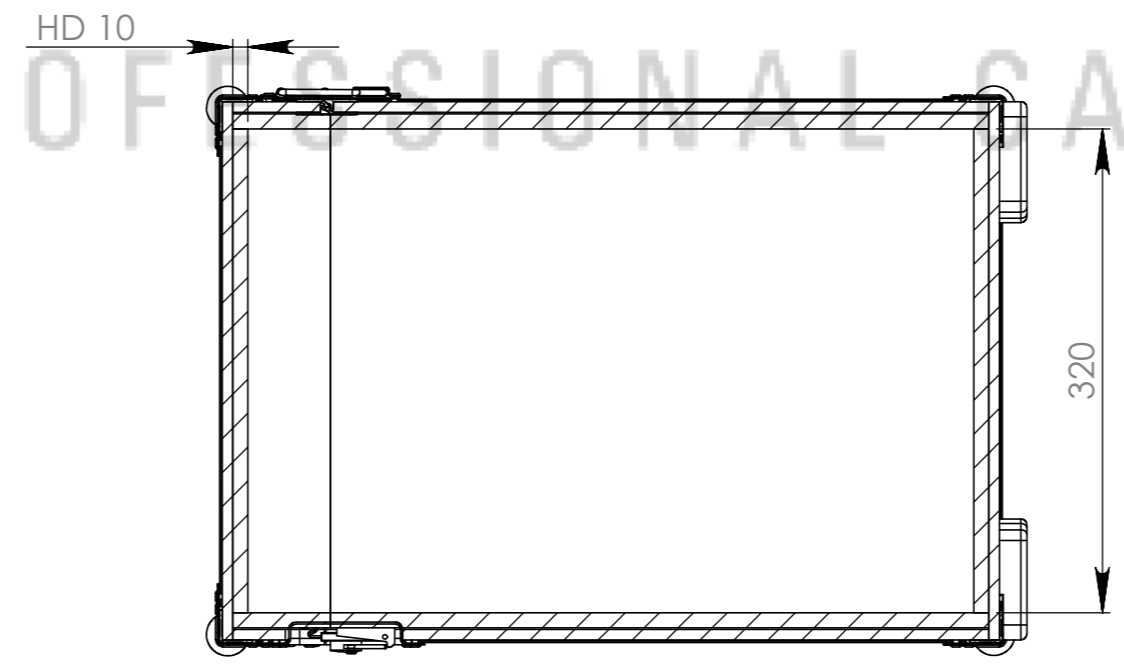
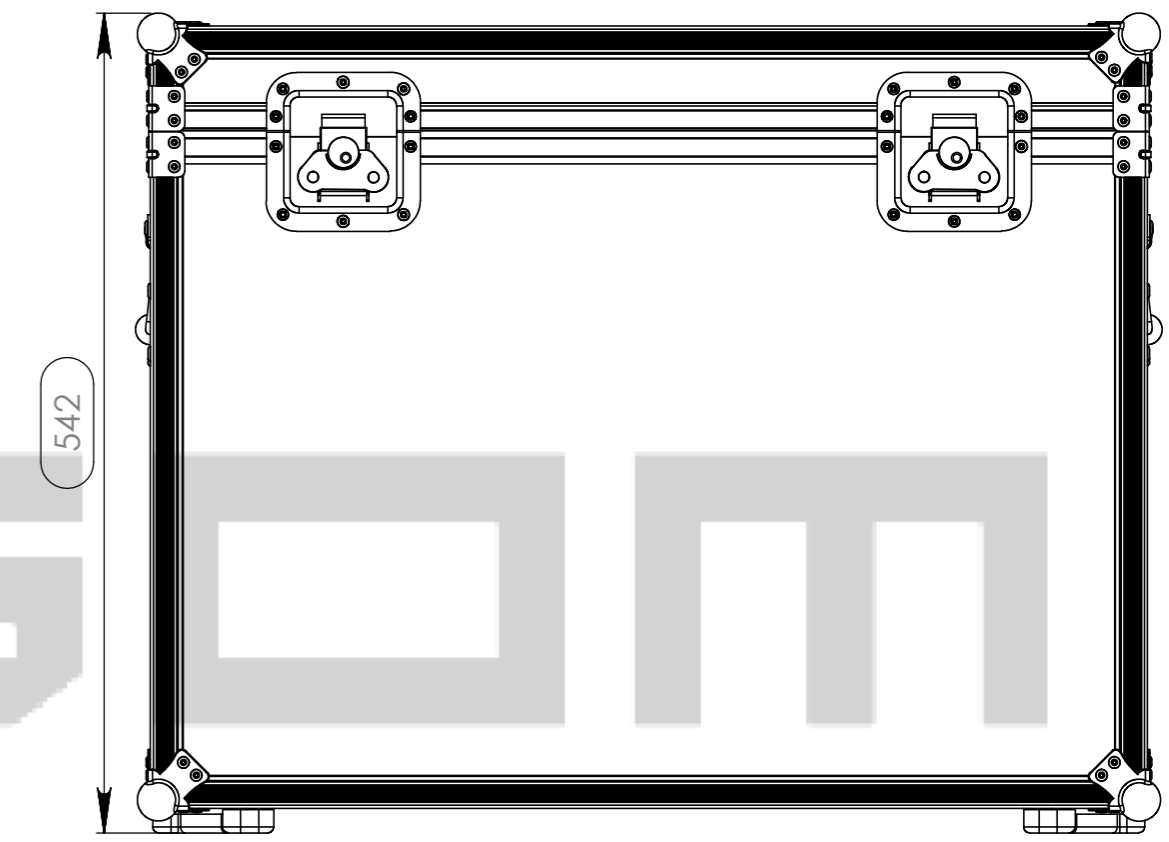
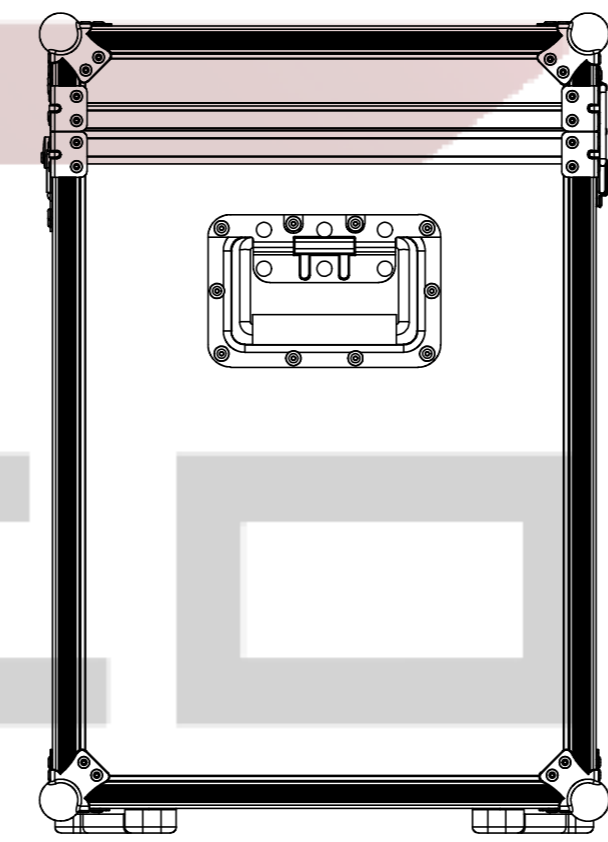
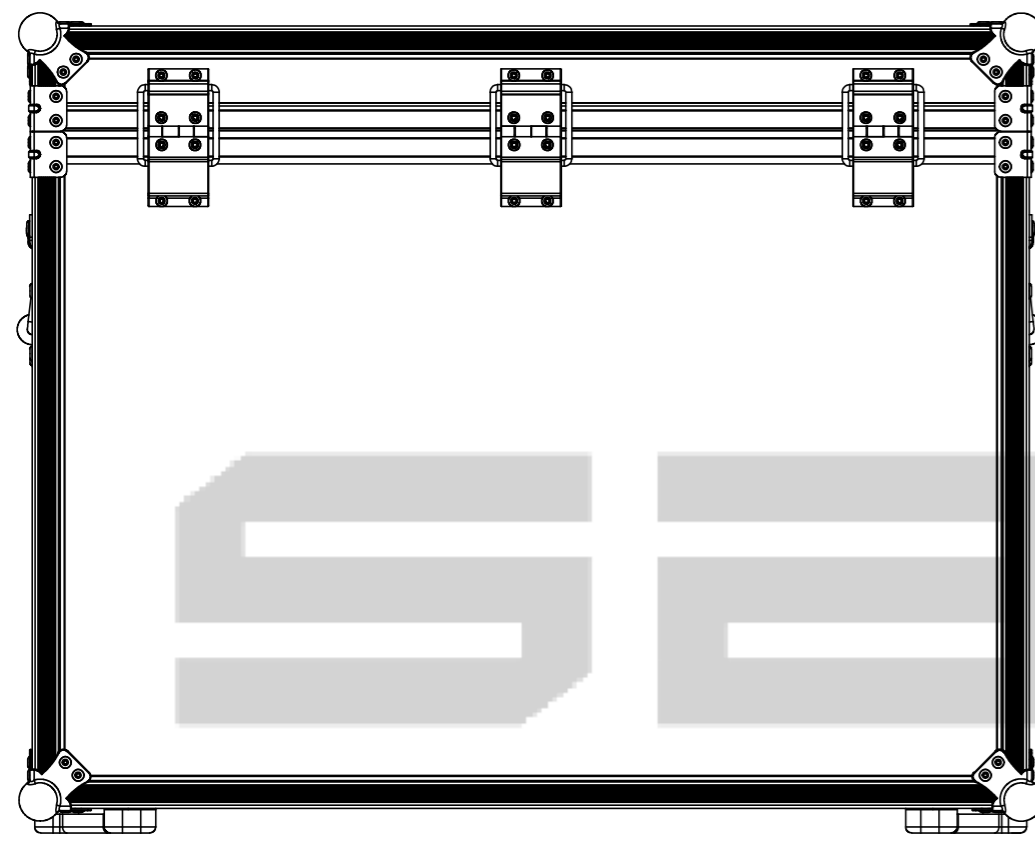
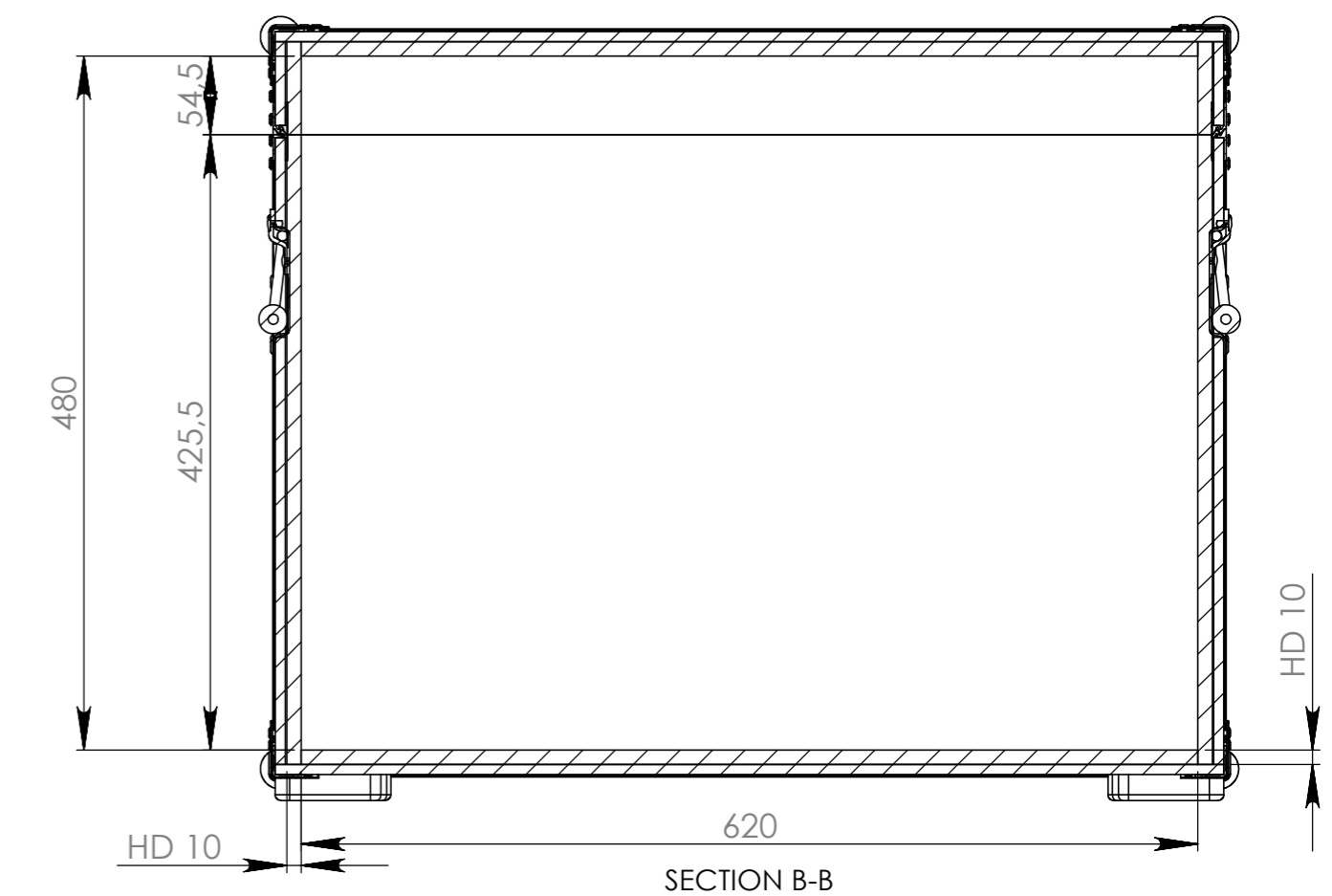
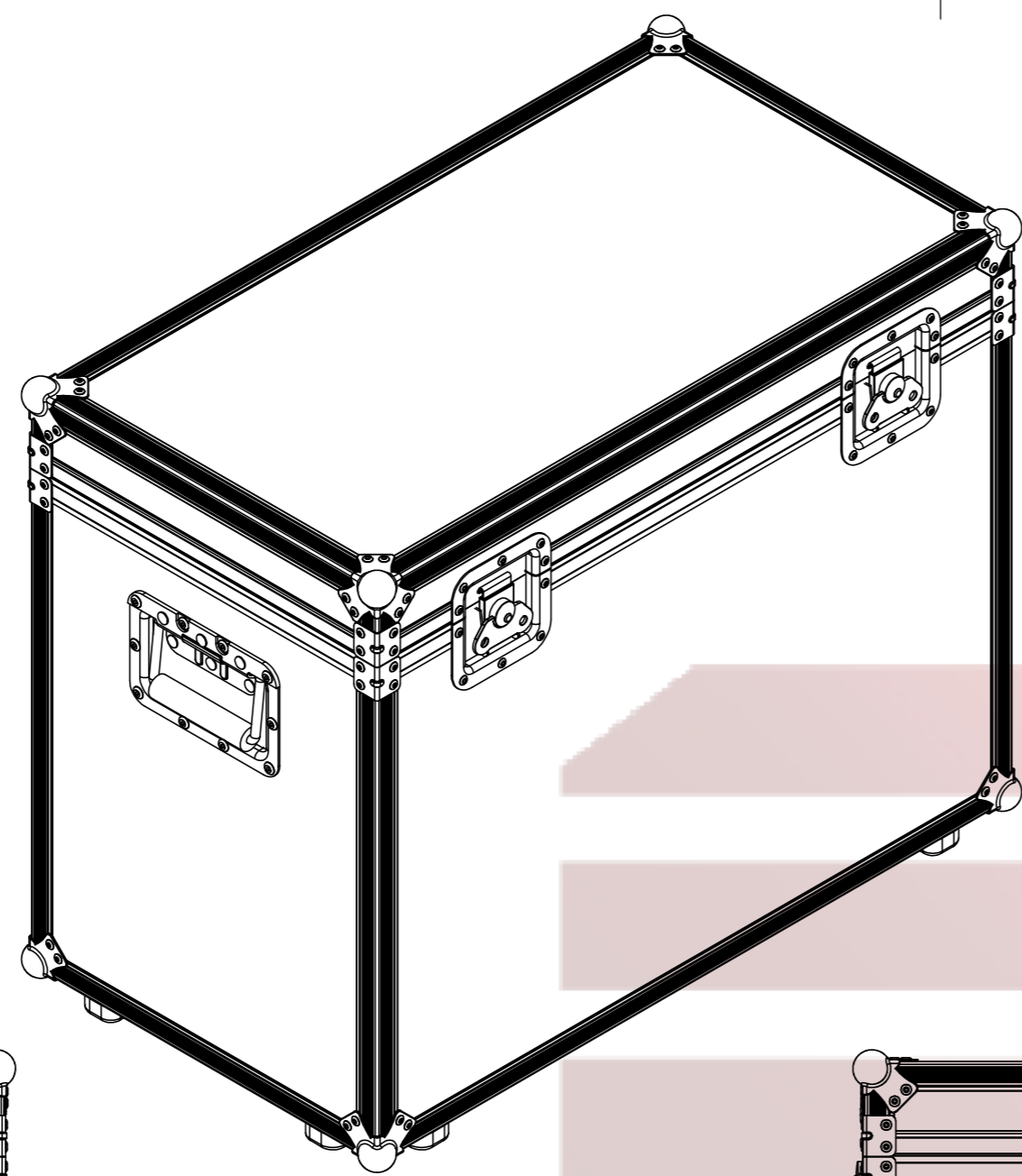


Interior dimensions

Width	Depth	Height
620	320	480
Weight	Approx. 11 Kg	
Wall Thickness		7mm

REVISIONS				
ZONE	REV.	DESCRIPTION	DATE	APPROVED
-	0	Final Drawing	05/04/2013	Daniel Lopes



Hardware	
Qty	Description
8	Medium corner-brace zinc plated 1,0mm
8	Small ball corner - 3 leg - zinc plated
2	Key lockable medium Butterfly special
2	Recessed sprung handle medium model
3	Heavy Duty Strut Hinge, zinc plated

Drawn by	Name	Date
Daniel Lopes	Daniel Lopes	05-04-2013
Reference	816.104	

Scale 1:5
 1st Angle projection
 general tolerance 0.5mm
 FC: W620MMXD320MMXH480MM, HD10

This drawing must not be copied or disclosed without consent of the owner