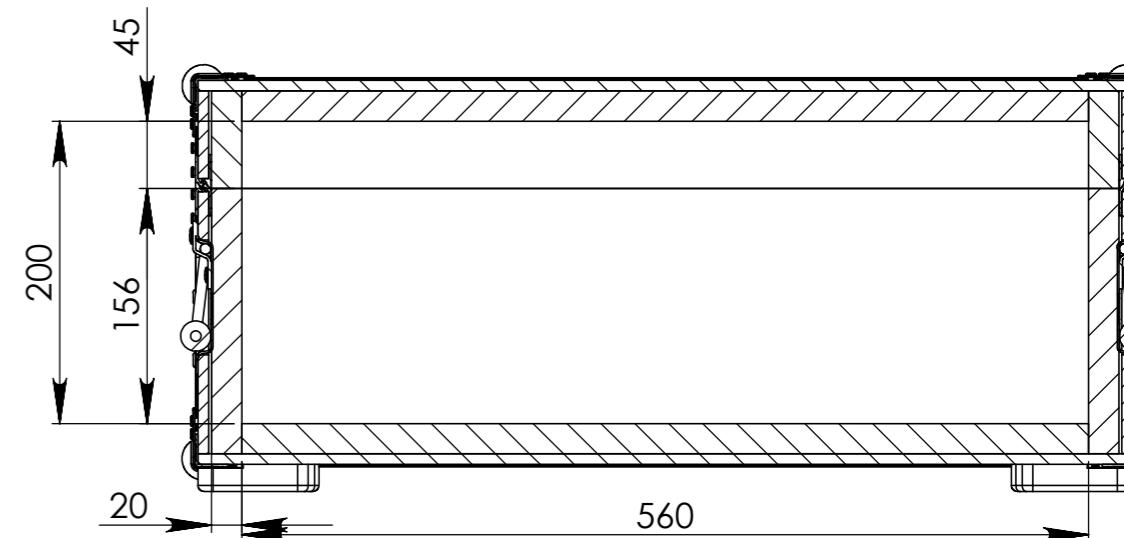
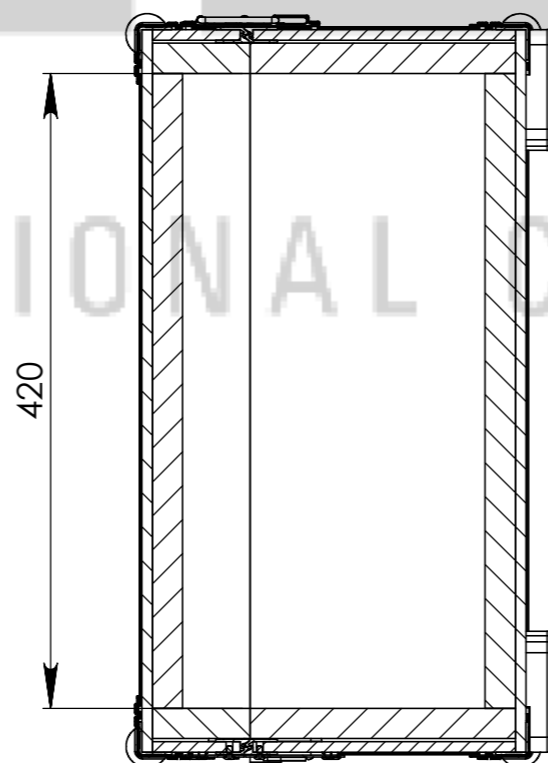
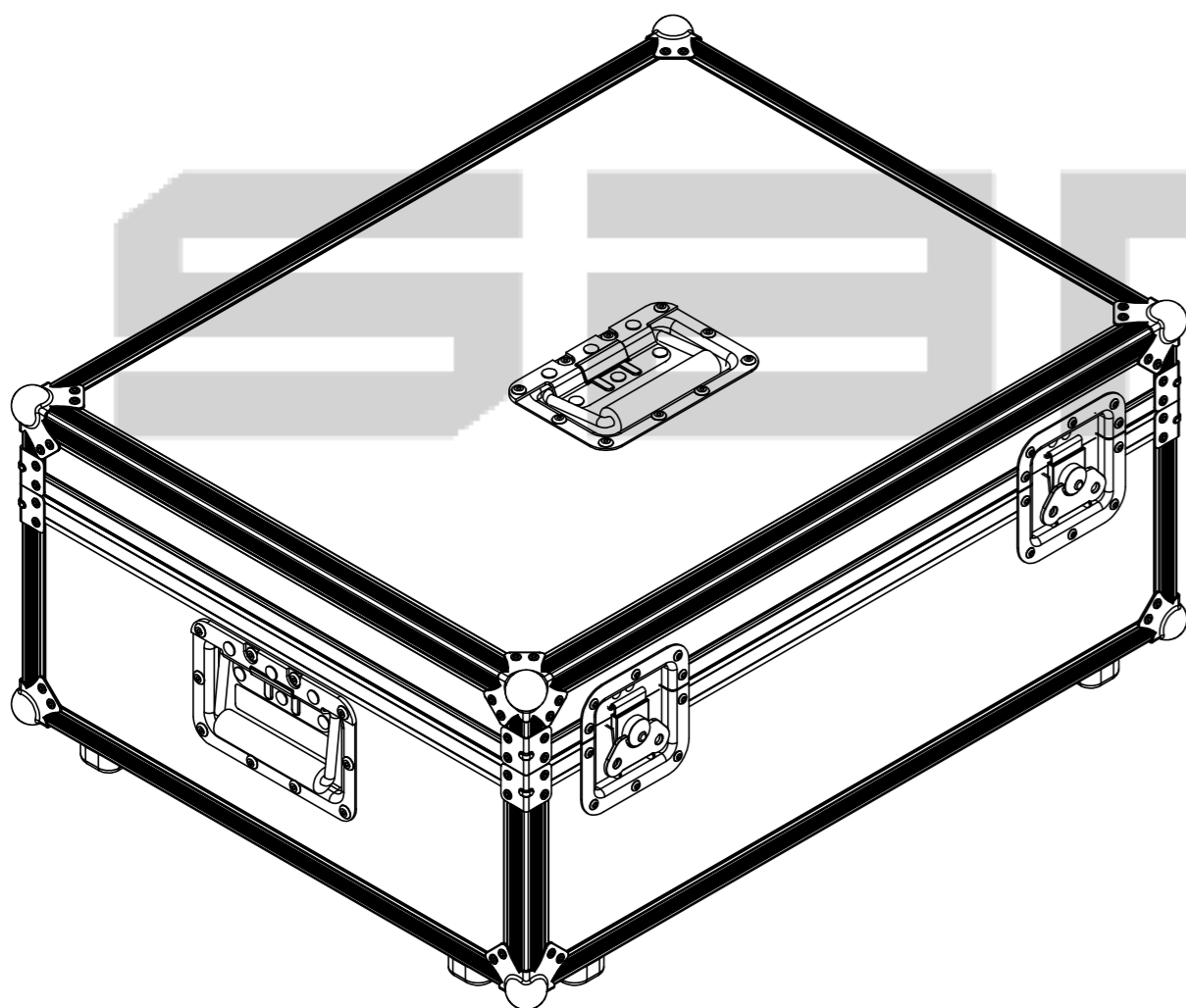
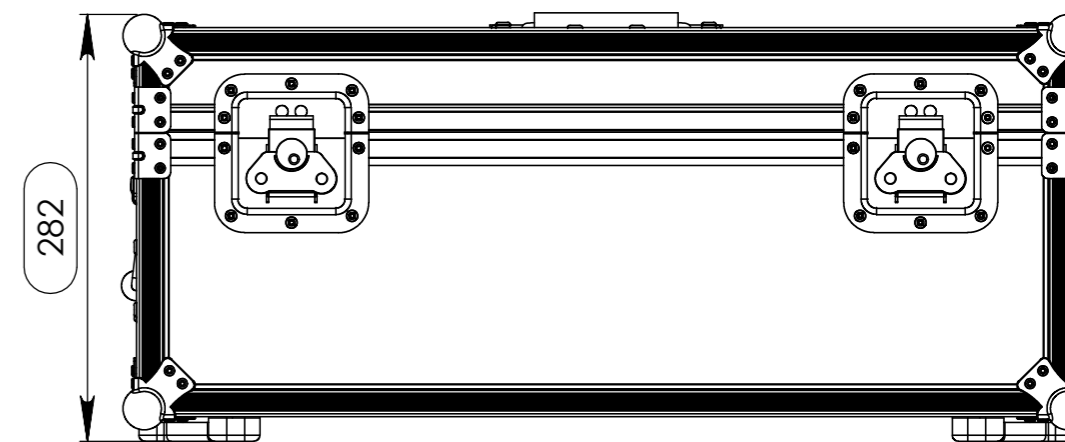
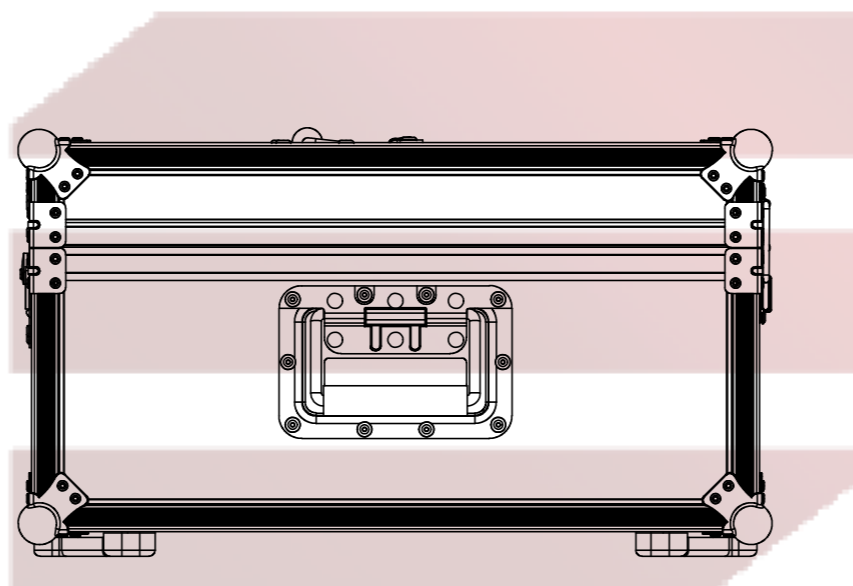
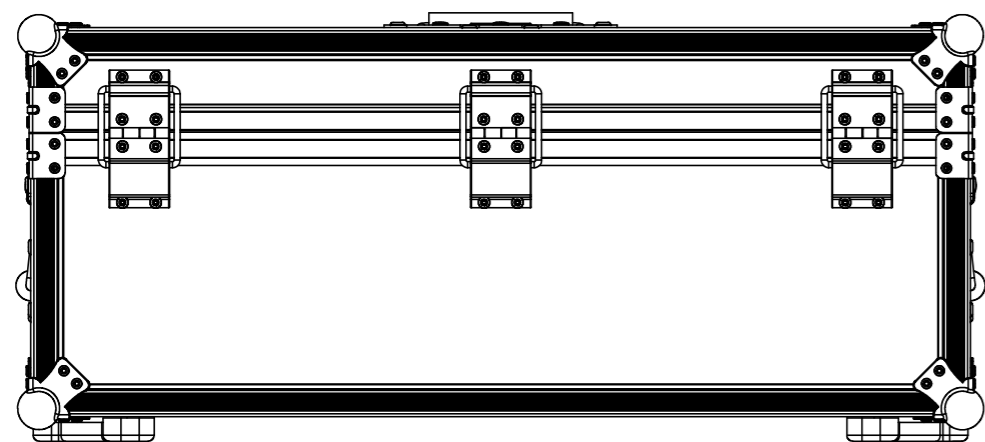


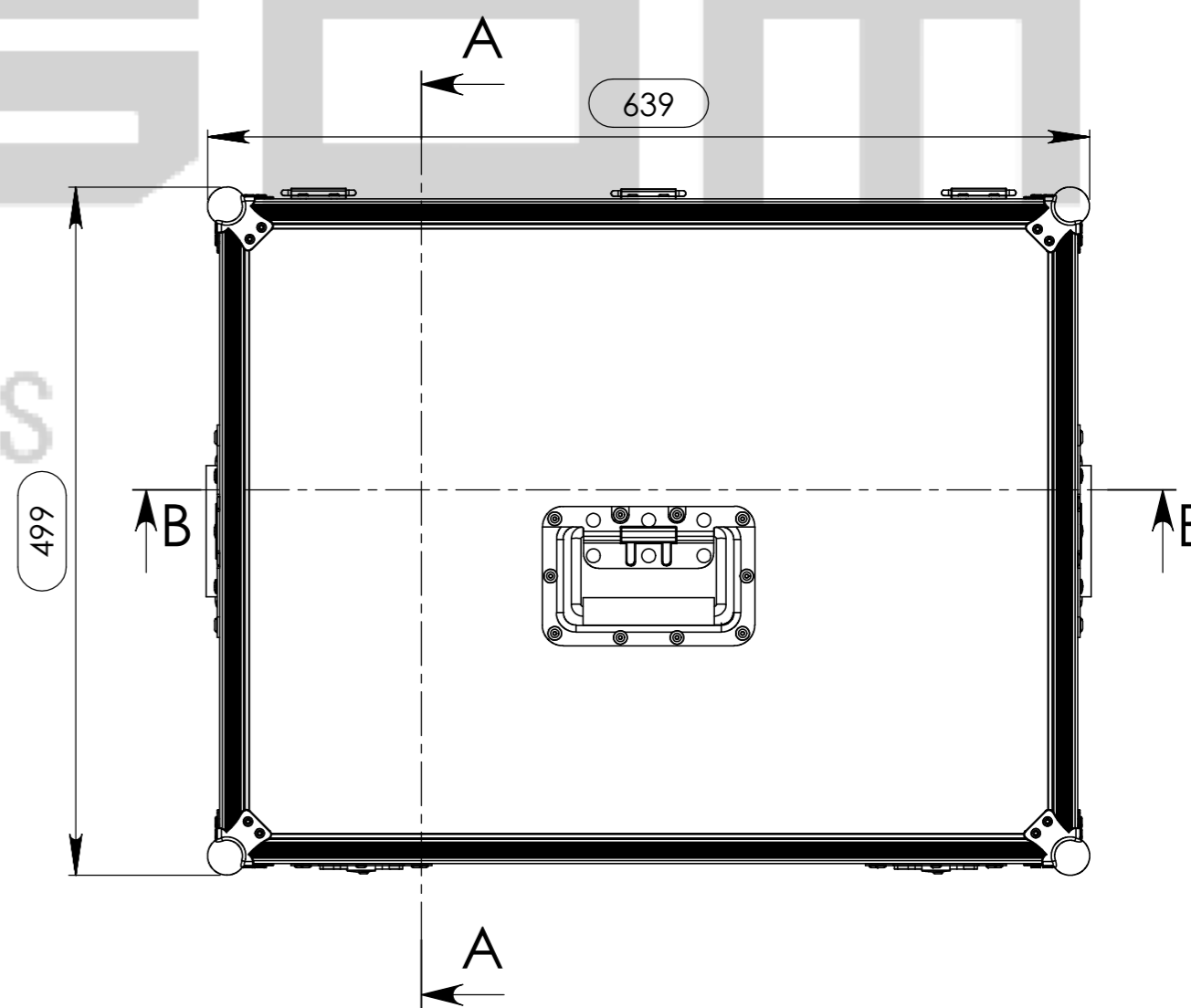
Interior dimensions		
Width	Depth	Height
560	420	200
Weight	Approx. 9 Kg	
Wall Thickness	7mm	



SECTION B-B



SECTION A-A



Hardware	
Qty	Description
8	Medium corner-brace zinc plated 1,0mm
8	Small ball corner - 3 leg - zinc plated
2	Key lockable medium Butterfly special
3	Recessed sprung handle medium model
3	Heavy Duty Strut Hinge, zinc plated

Drawn by	DanielLopes	Date	21-08-2012
Reference	816.080		
Scale	1:5	general tolerance	0.05mm
This drawing must not be copied or disclosed without consent of the owner 1st Angle projection FC. Objetos 560x420x200mm			

