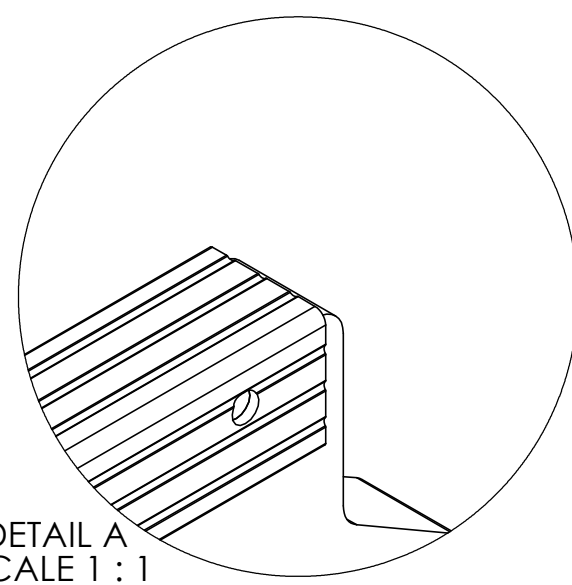
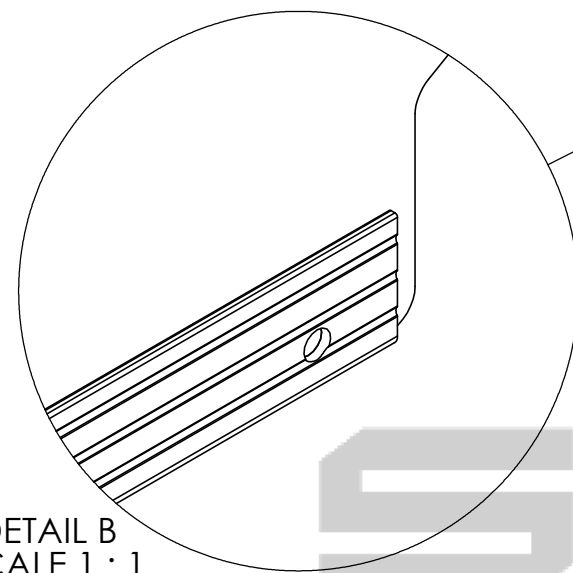


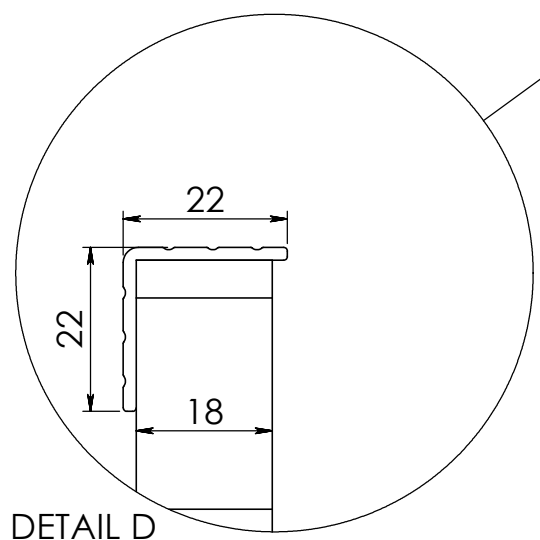
Revision Table				
Index	Rev.	Description	Date	Draw
-	0	Final Drawing	29/04/2014	Daniel Lopes



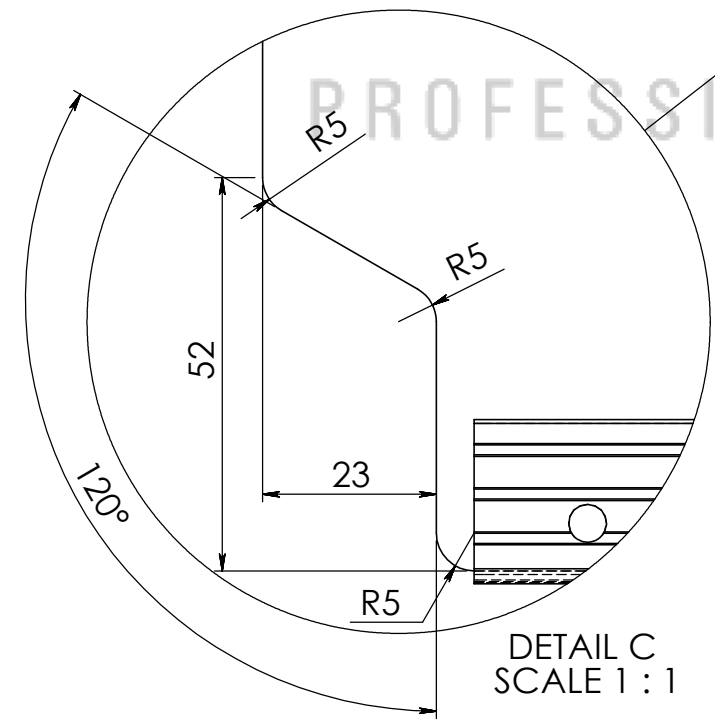
DETAIL A
SCALE 1 : 1



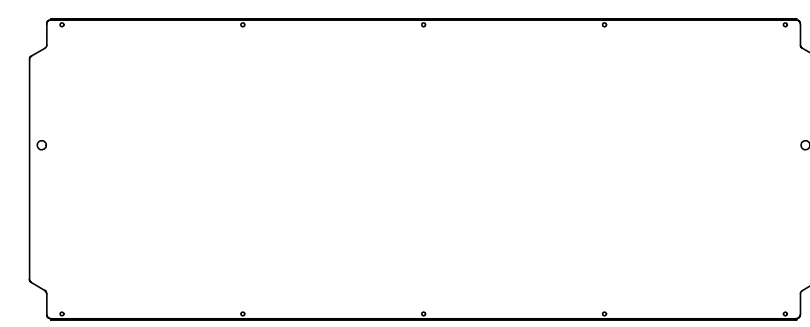
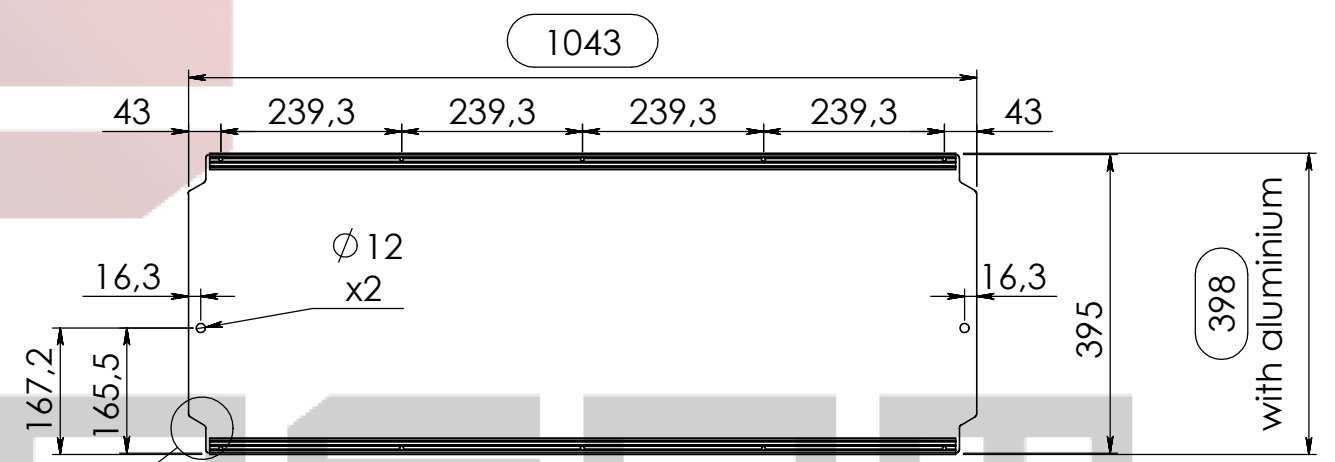
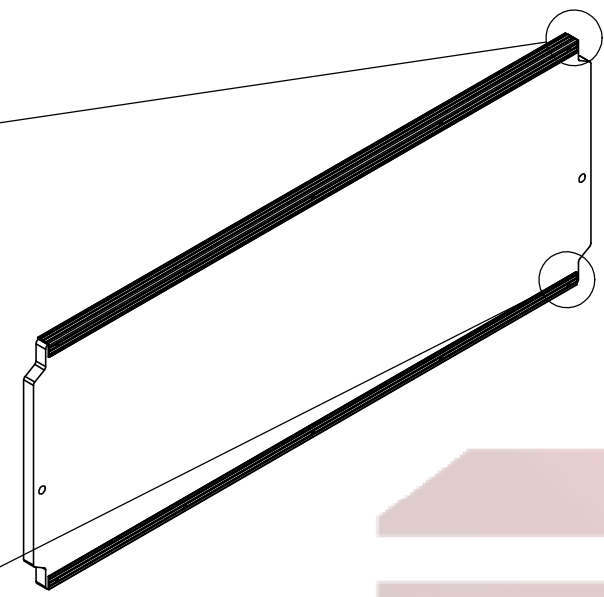
DETAIL B
SCALE 1 : 1



DETAIL D
SCALE 1 : 1



DETAIL C
SCALE 1 : 1



A3 This drawing must not be copied or disclosed without consent of the owner

Drawn by	DanielLopes	Date	29-04-2014
Reference	676.027		
Scale	1:10	units in mm	general tolerance 0.8mm
PLATEAU DE BAR CARRE INF CENTRAL 4X4, PLAN: 3200 001 132			

