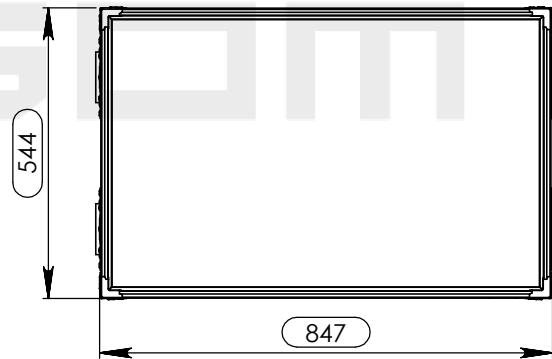
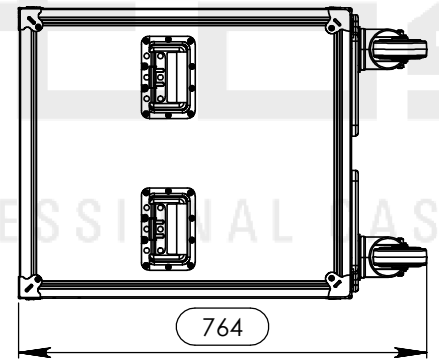
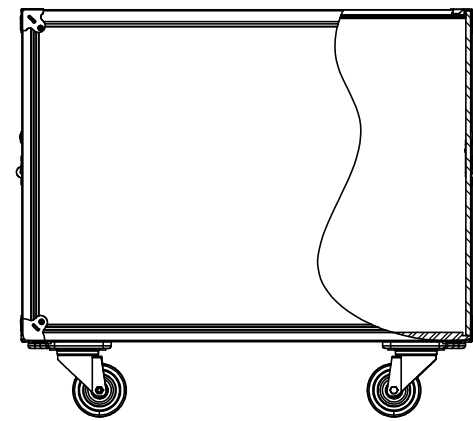
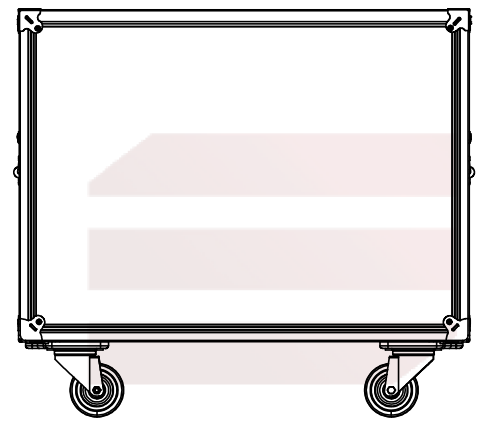
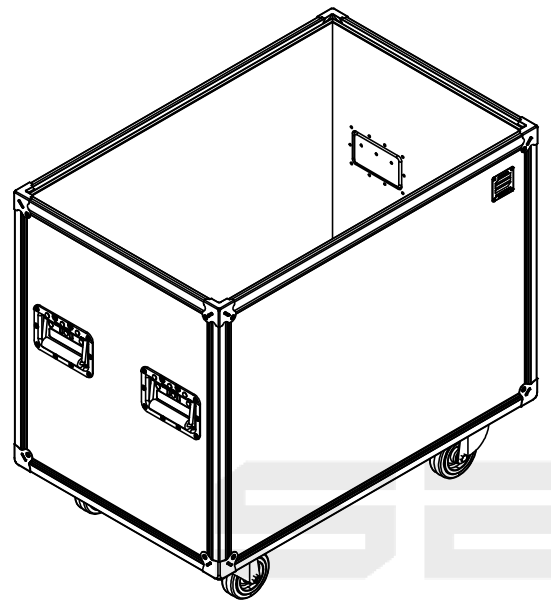


### Medidas Uteis

Largura	Profundidade	Altura
800	500	600

### REVISIONS

ZONE	REV.	DESCRIPTION	DATE	APPROVED
	-	Final Drawing	03-02-2016	Ezequiel Cambao



### Lista Acessórios

Qty	Designação	Ref.
1	Chapa Santosom	CHAPA.1000
4	Canto US BOX 10mm	C0675-30Z
4	Canto recto 3 pernas	4004
4	ASA DE MOLA MÉDIA	34082
4	Suporte Rodas p/FC	Rodas.1000
4	RODA 100 S/TRAVAO	RODA.100

This drawing must not be copied or disclosed without consent of the owner

Scale	1:5	UNITS in mm	general tolerance
Reference	654.100	DO NOT SCALE	0.8mm
MALAO X-BOX, 800X500X600MM S/ TAMPAS RODAS			

