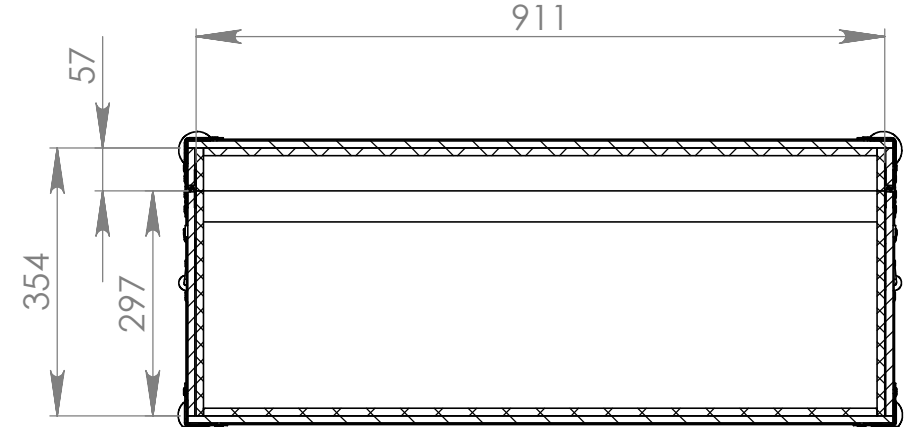
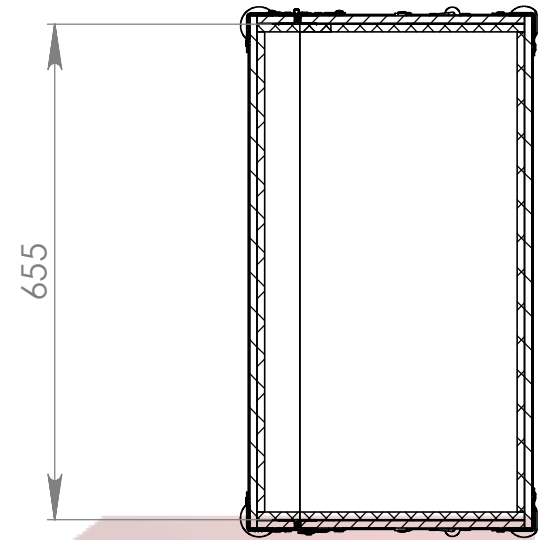
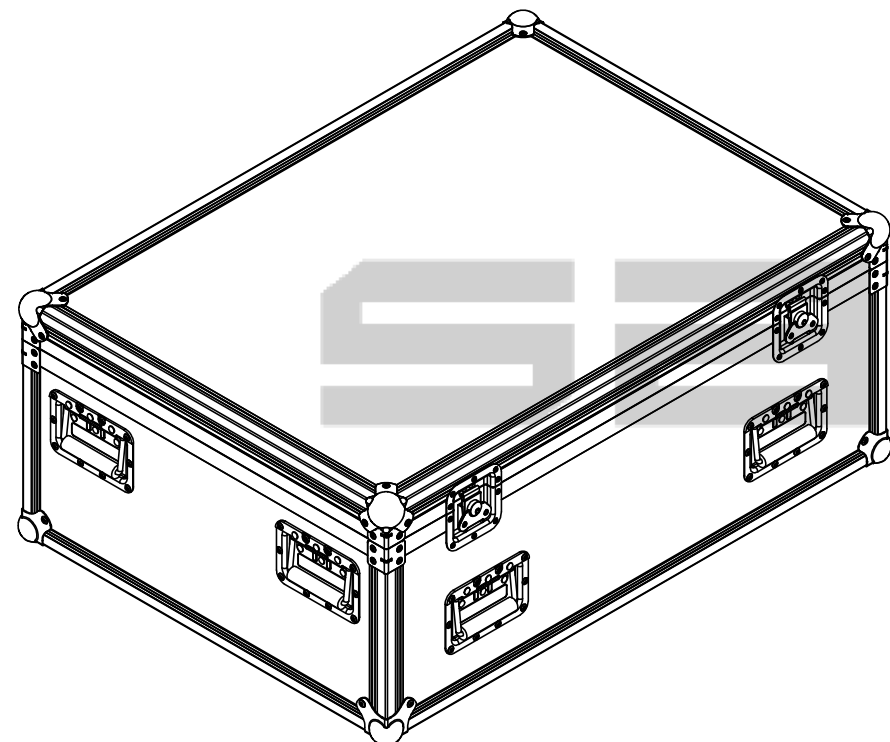
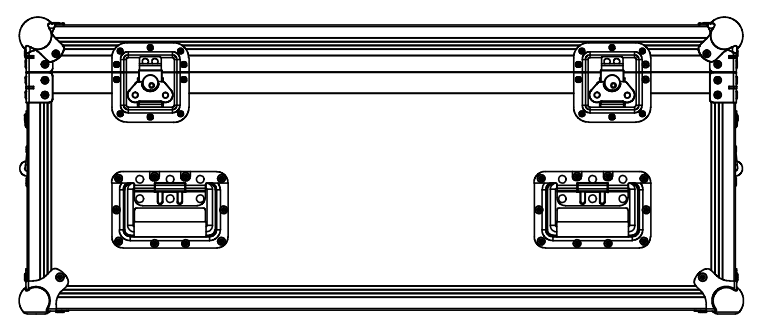
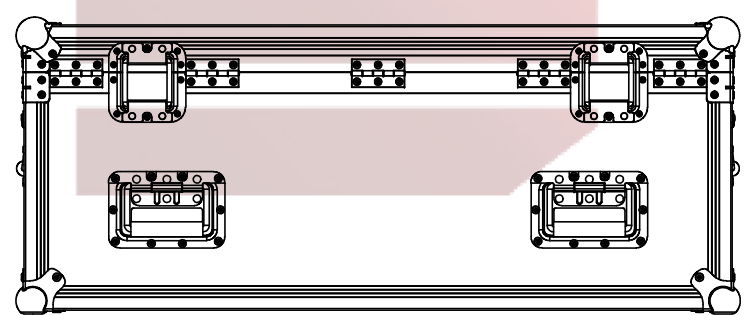


Interior dimensions		
Width	Depth	Height
911	655	354
Weight	Approx. 14 Kg	
Wall Thickness	9.5mm	

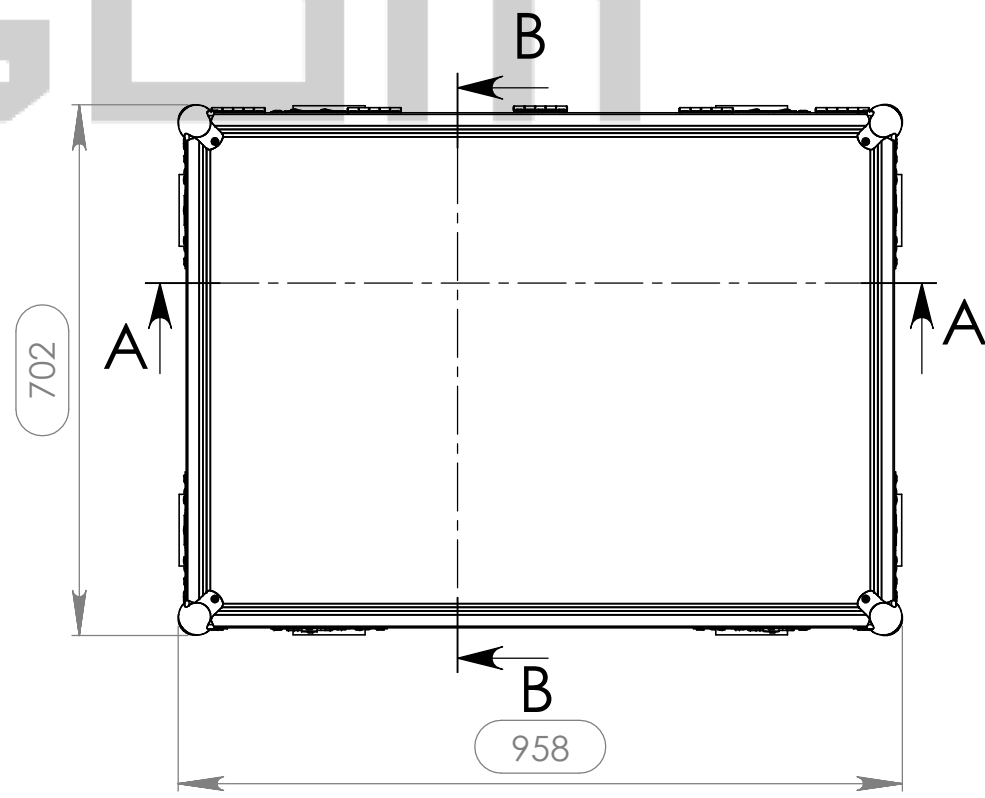
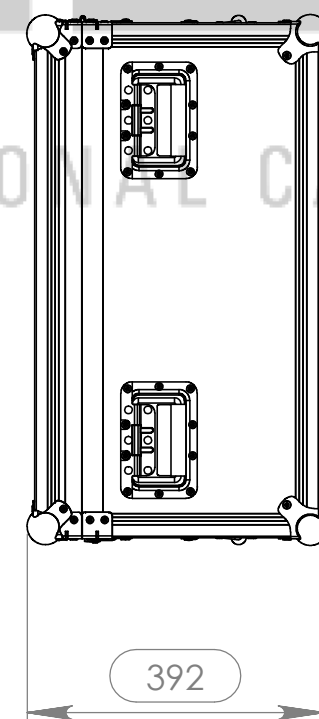


SECTION B-B

SECTION A-A



SANTOSOM  
PROFESSIONAL CASES



Hardware	
Qty	Description
4	Large corner bracket f. 35mm case angle
8	Recessed sprung handle medium model
5	Medium duty butt hinge z./p.
4	Medium ball corner zinc plated with stacking dimple
2	Key lockable medium Butterfly special
2	Medium recessed lid stay
4	Large corner bracket f. 35mm case angle
4	Medium ball corner zinc plated

This drawing must not be copied or disclosed without consent of the owner

Drawn by	Name	Date
DanielLopes	DanielLopes	04-12-2014
Reference	1992.005	
Scale	units in mm	general tolerance
1:10	DO NOT SCALE	±0.8mm
1st Angle projection	FC, DOM PÉRIGNON, 750X460X500MM.	

