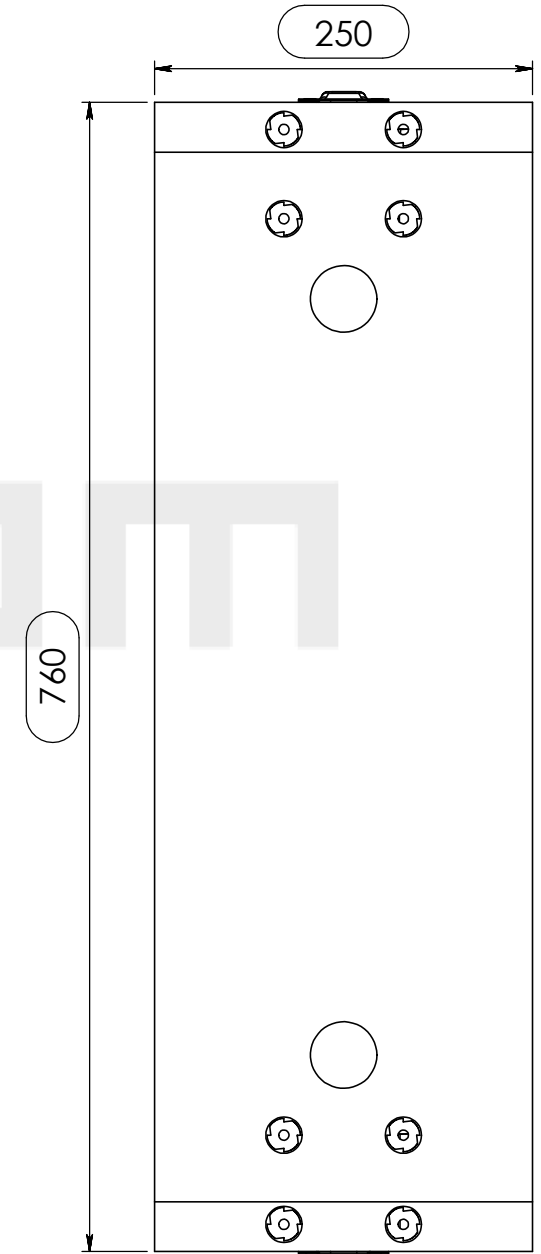
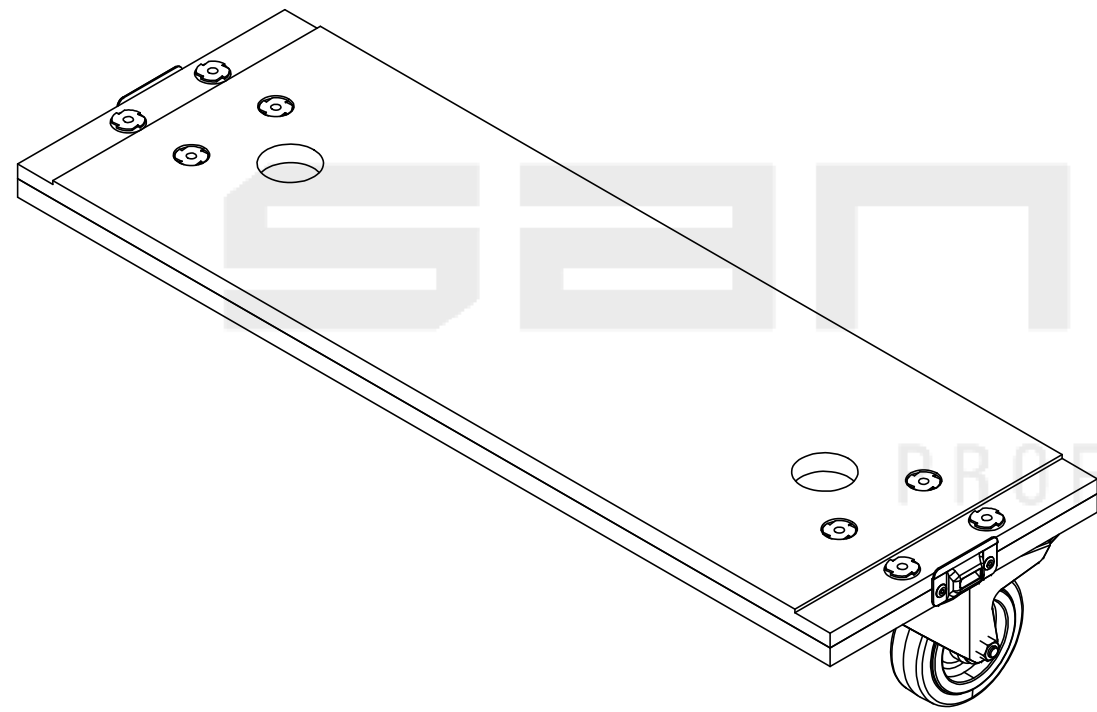
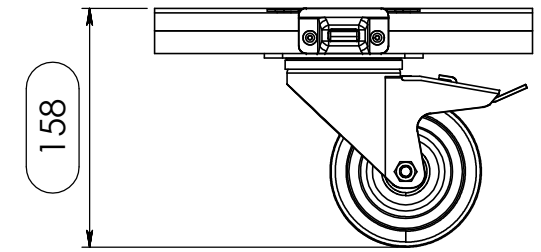


Revision Table				
Index	Rev.	Description	Date	Draw
-	-	Final Drawing	23/09/2014	Daniel Lopes



  
**SANTOSOM**  
 PROFESSIONAL CASES

Name	Date
Drawn by: DanielLopes	23-09-2014
Reference: 651.142R	
Scale: 1:5	units in mm DO NOT SCALE
	general tolerance 0.8mm
SKATE AMOVIBLE 3 PART COM 6 RODAS	



This drawing must not be copied or disclosed without consent of the owner



A3