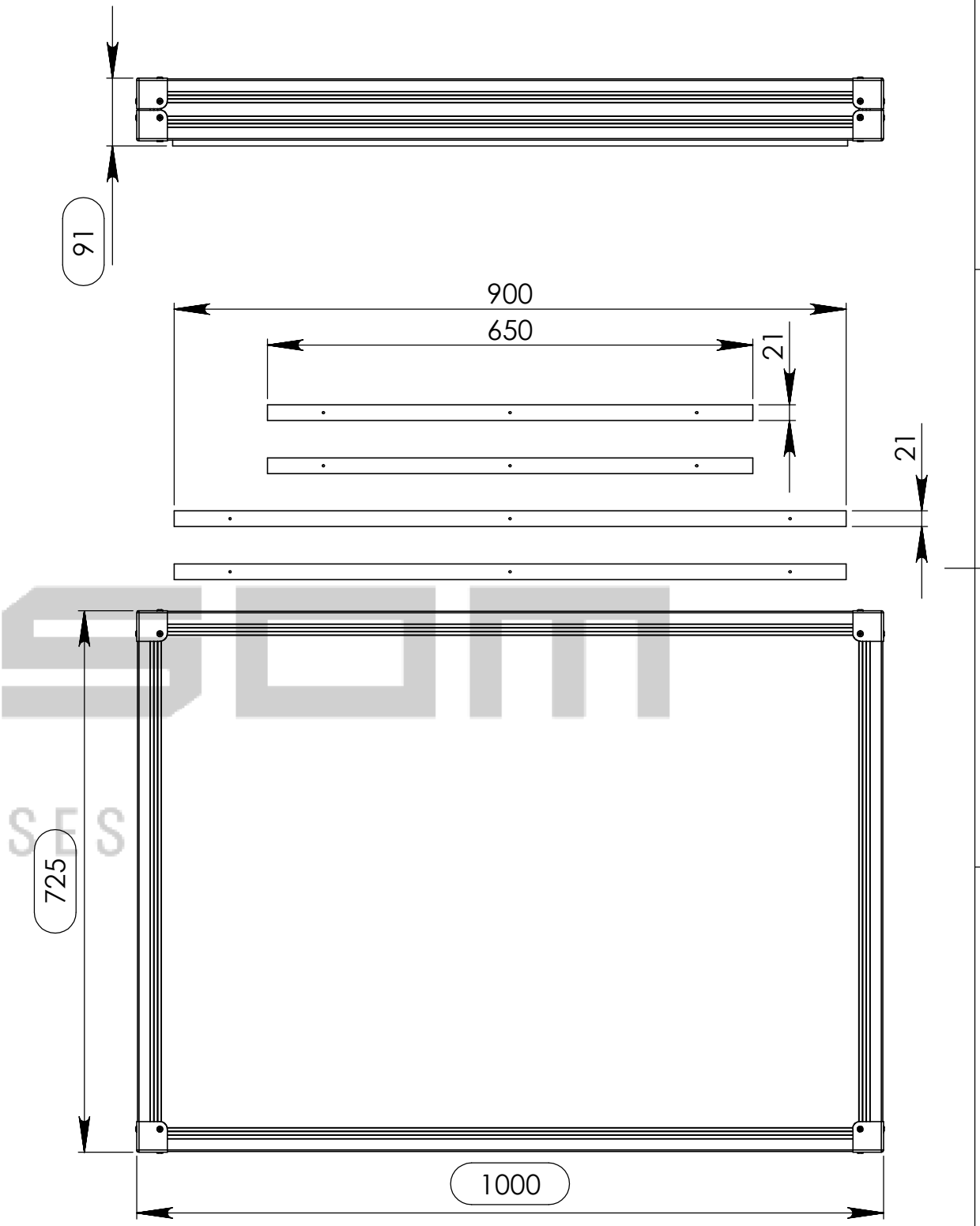
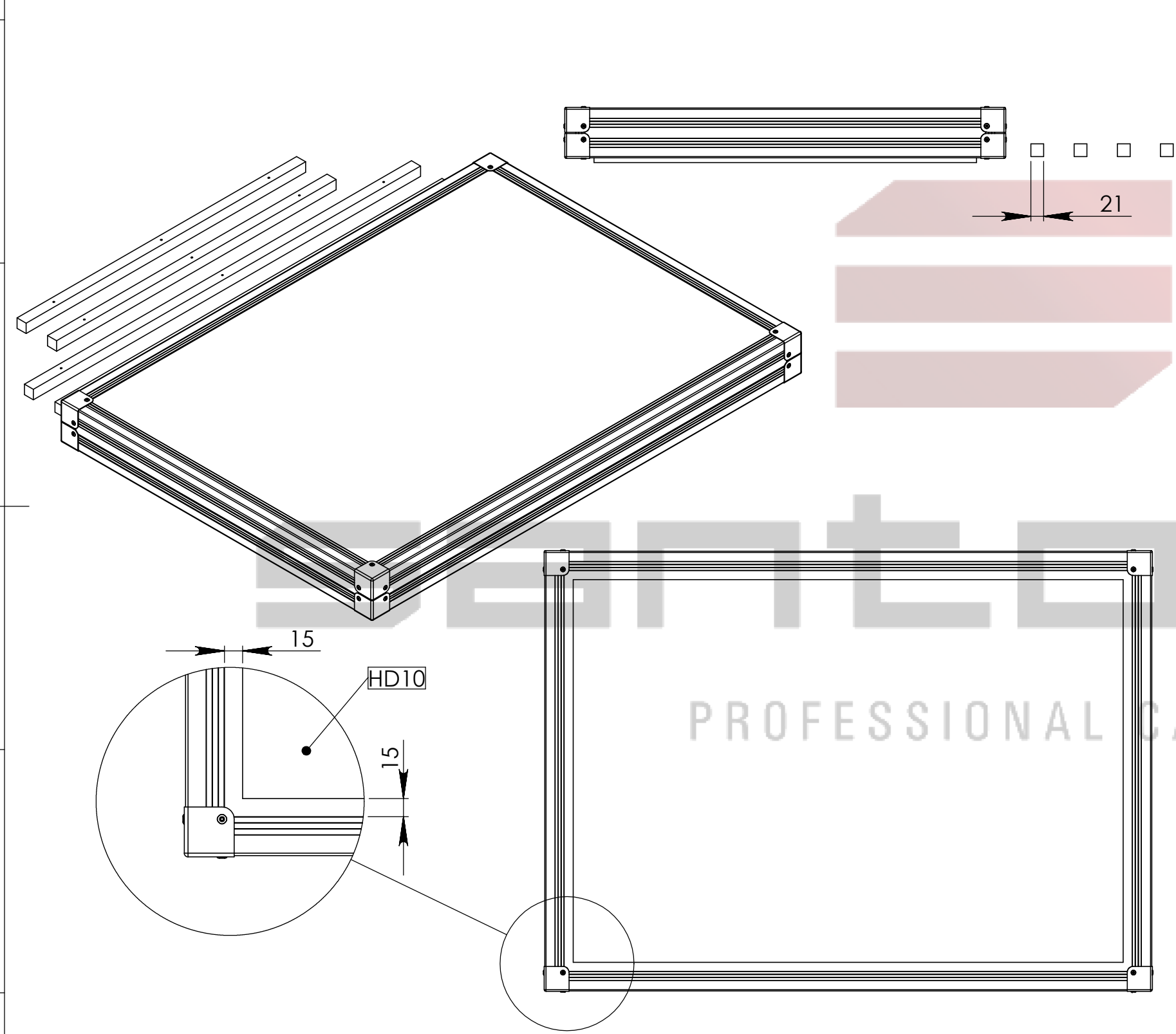


Exterior dimensions		
Width	Depth	Height
725	1000	91
Weight	Approx. 18 Kg	
Wall Thickness		10mm

REVISIONS				
ZONE	REV.	DESCRIPTION	DATE	APPROVED
-	-	Final Drawing	26/08/2014	Daniel Lopes



Hardware		
Qty	Ref.	Description
8	4001	SQUARE CASE/CABINET CORNER

This drawing must not be copied or disclosed without consent of the owner

Drawn by	DanielLopes	Date	08-09-2014
Reference	651.136		
Scale	1:8	units in mm	general tolerance 0.8mm
1st Angle projection			
PLATEAUX STABILISATEUR 1000X725X18MM			

