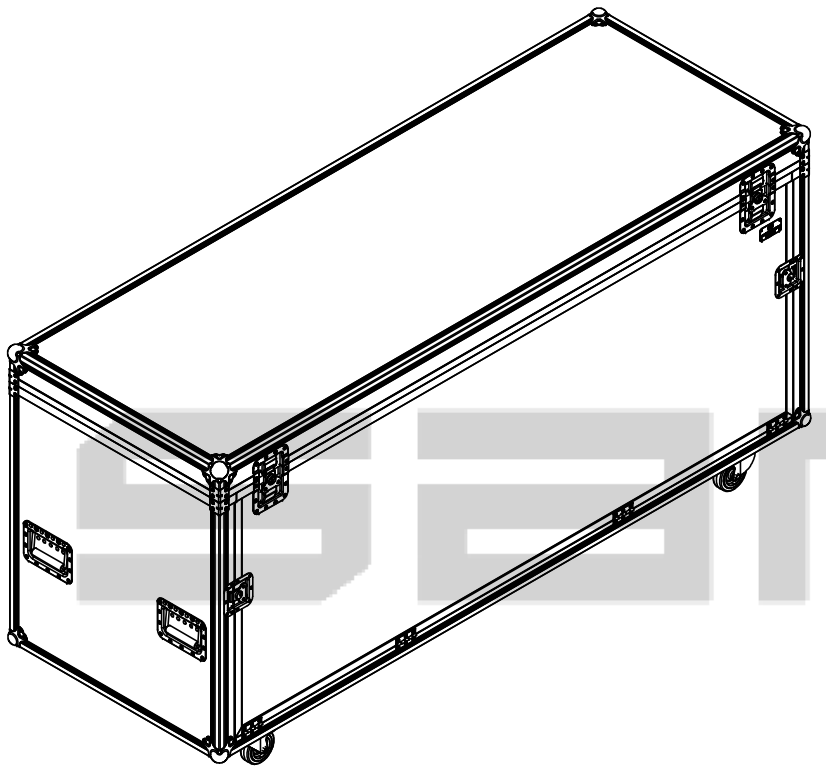
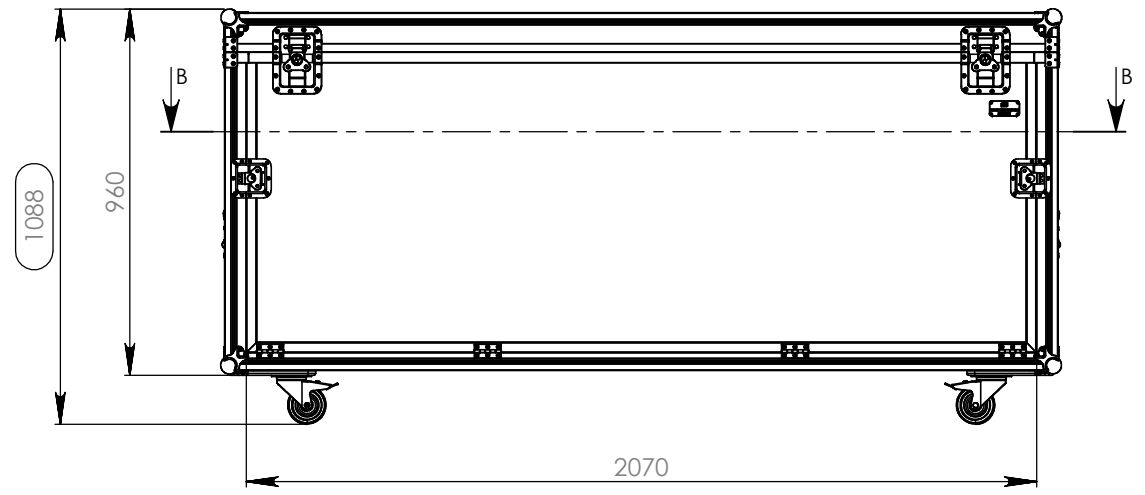
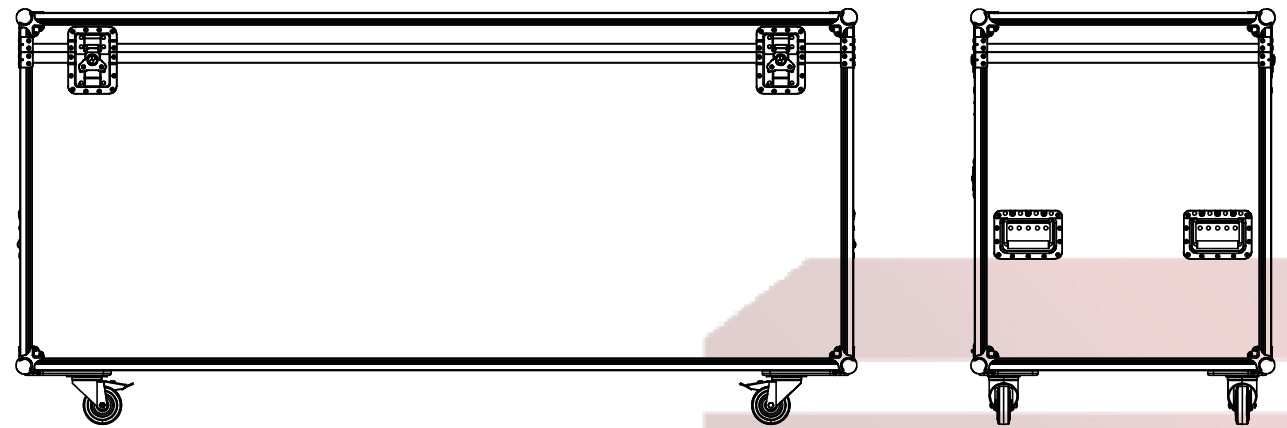
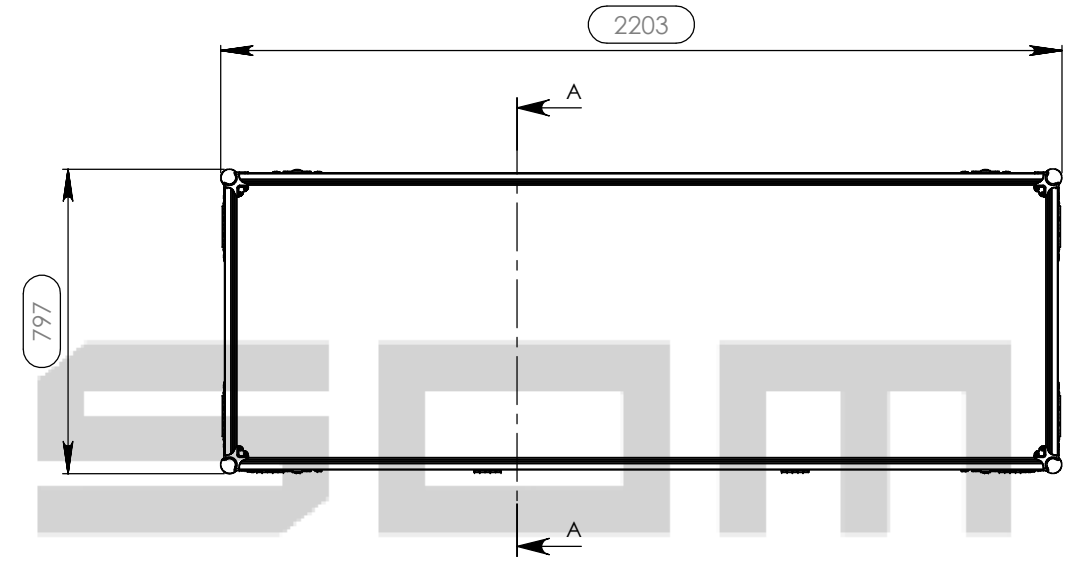
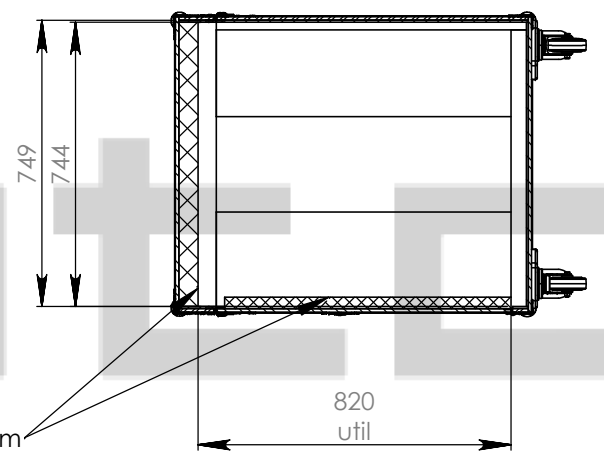


Interior dimensions

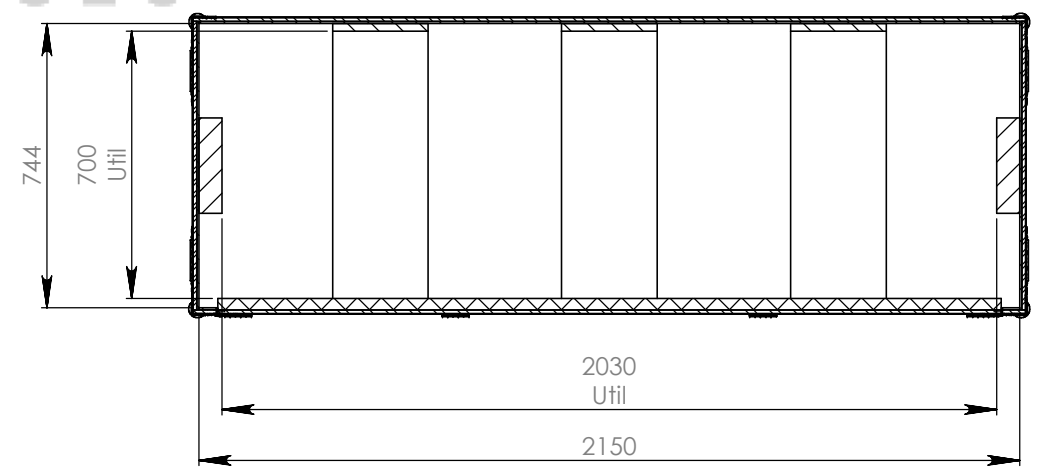
Width	Depth	Height
2030	700	820
Weight	Approx. 77 Kg	
Wall Thickness	9mm	



SECTION A-A



SECTION B-B



Hardware	
Qty	Description
8	Heavy Duty Ball Corner
8	Large corner bracket f. 35mm case angle
4	Large, heavy duty, recessed sprung handle
4	Large AH butterfly with 'push-back' function in 14mm dish
4	Medium duty butt hinge z./p.
2	Swivel castor Ø100mm with brake
2	Swivel castor Ø100 mm
2	Key lockable medium Butterfly special

PROFESSIONAL CASES

Drawn by	Name	Date
pedroneves	pedroneves	16-10-2013
Reference	651.106	
Scale	1:14	general tolerance 0.3mm
1st Angle projection	FC 1, BALLON, 2 COUVERCLES, ROULETTES	

This drawing must not be copied or disclosed without consent of the owner