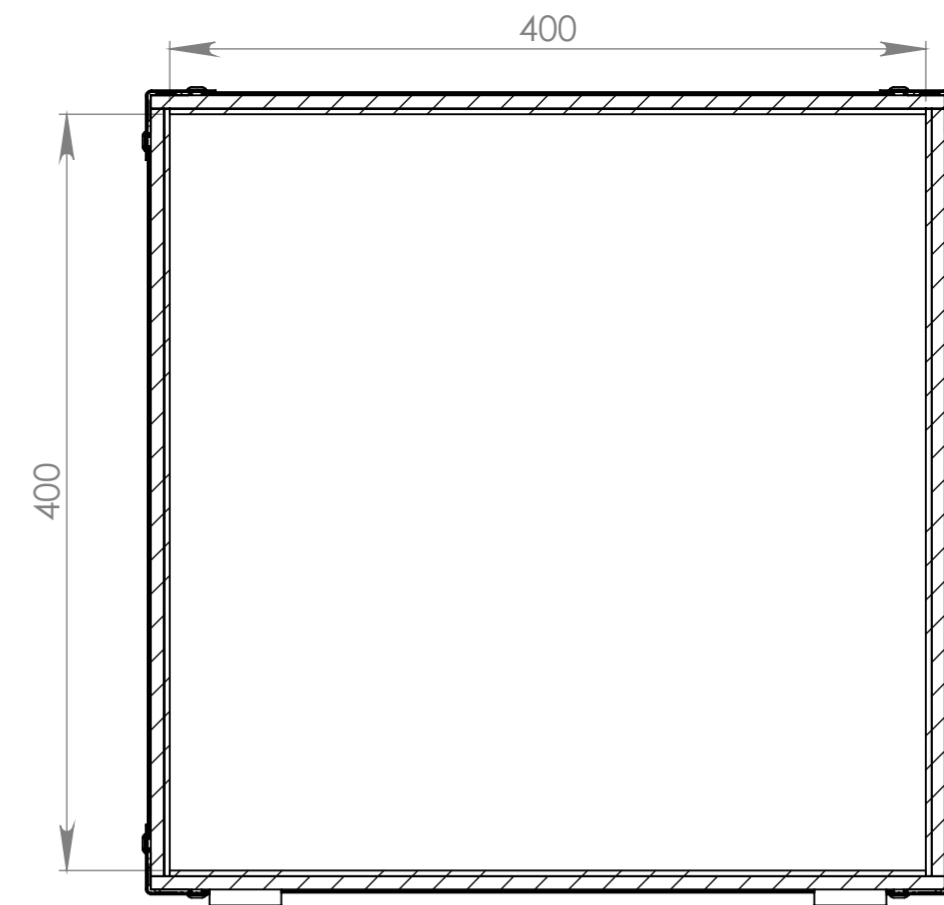
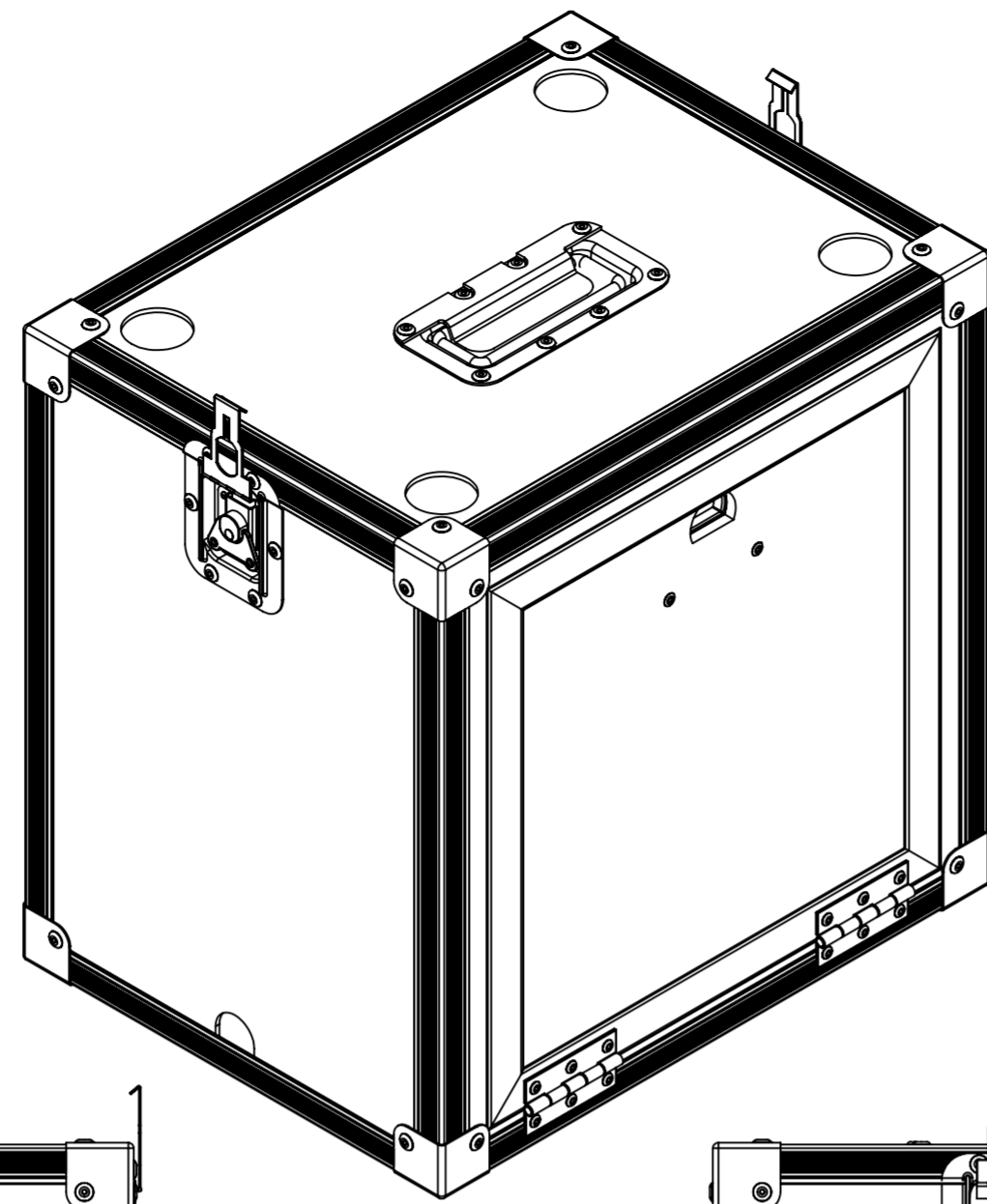
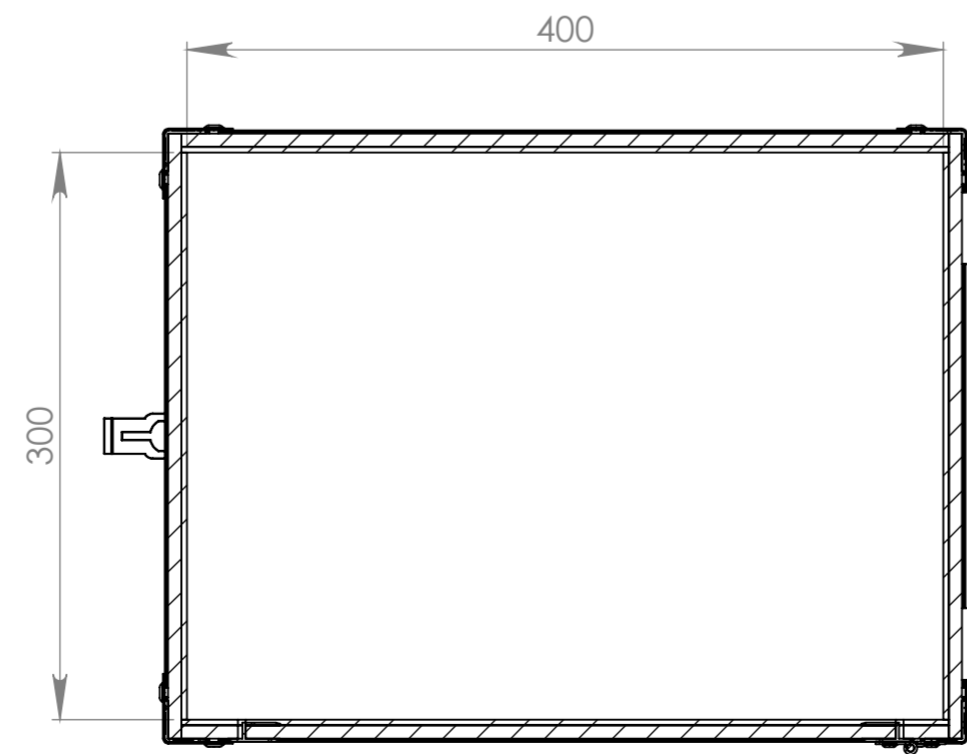
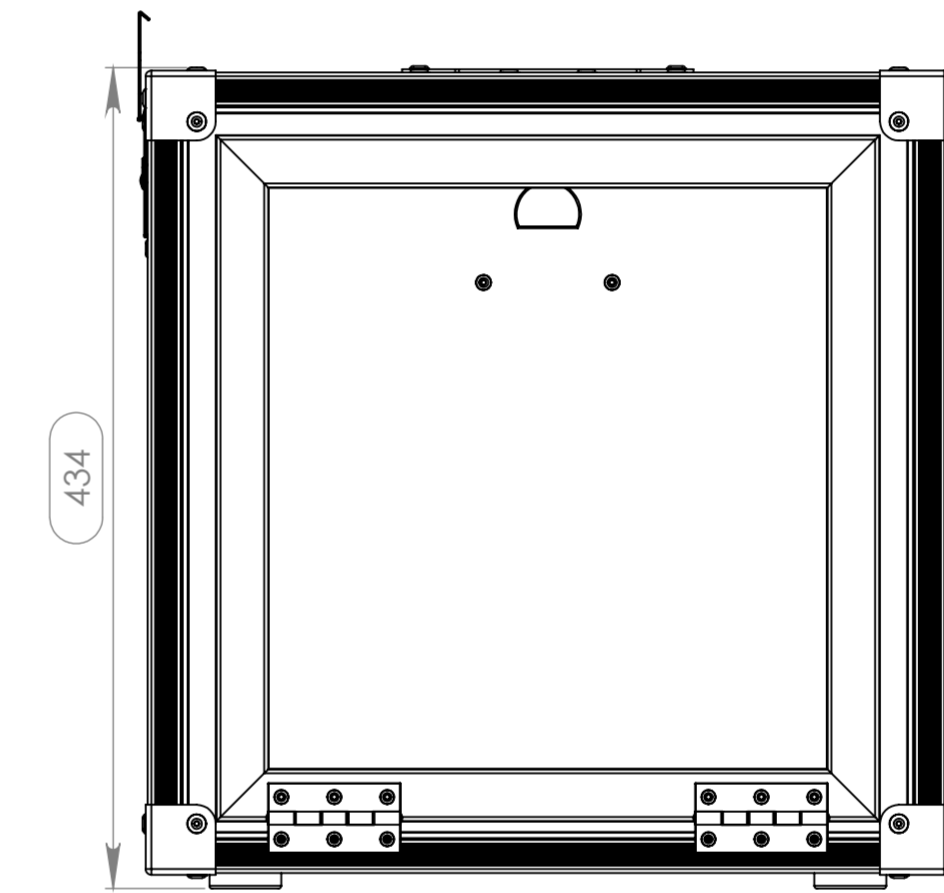
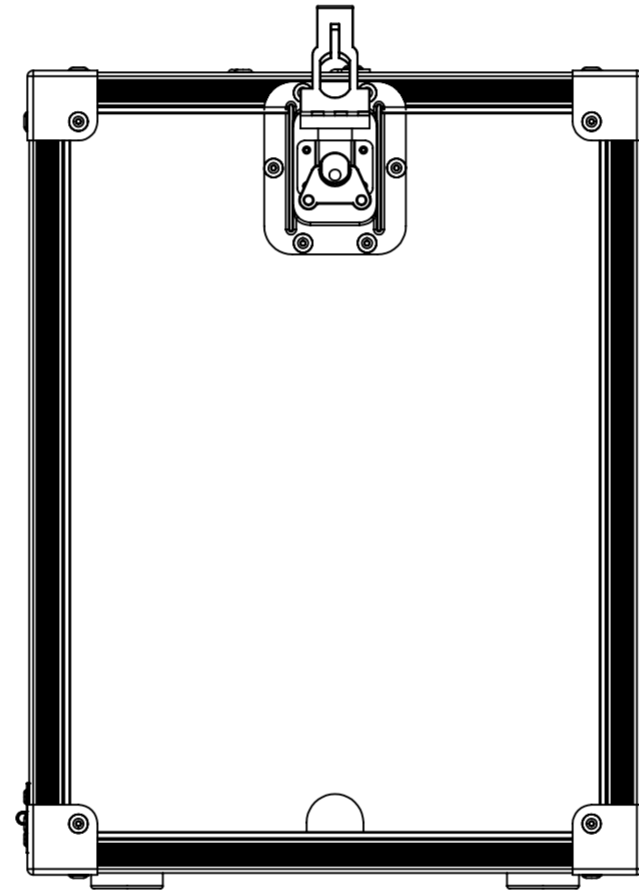
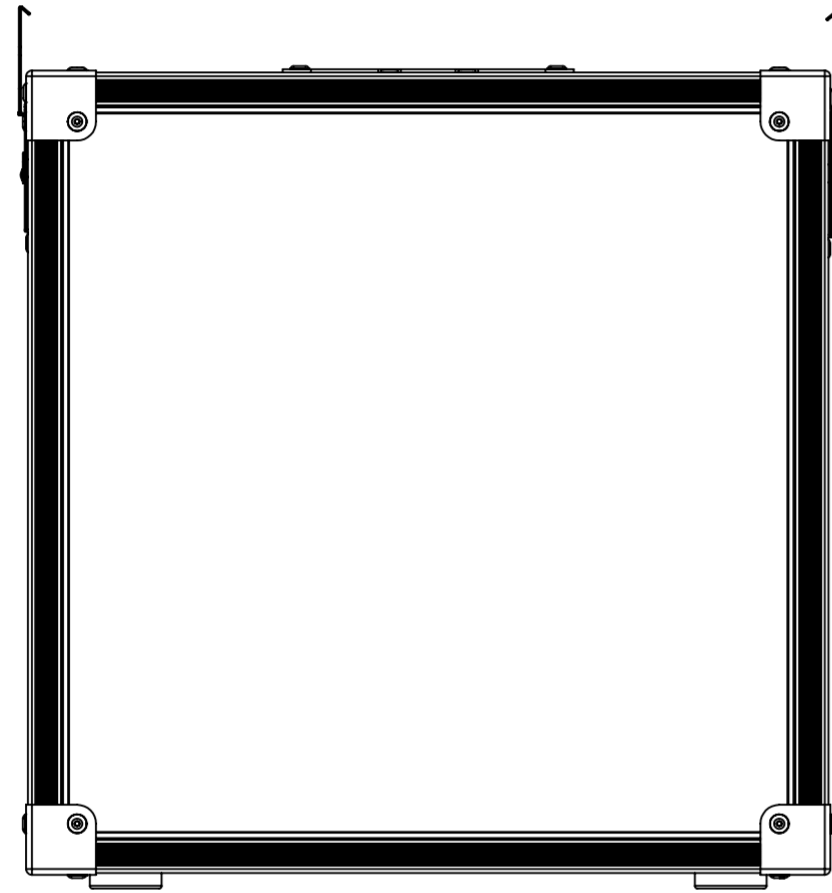


Max. dimensions equipment

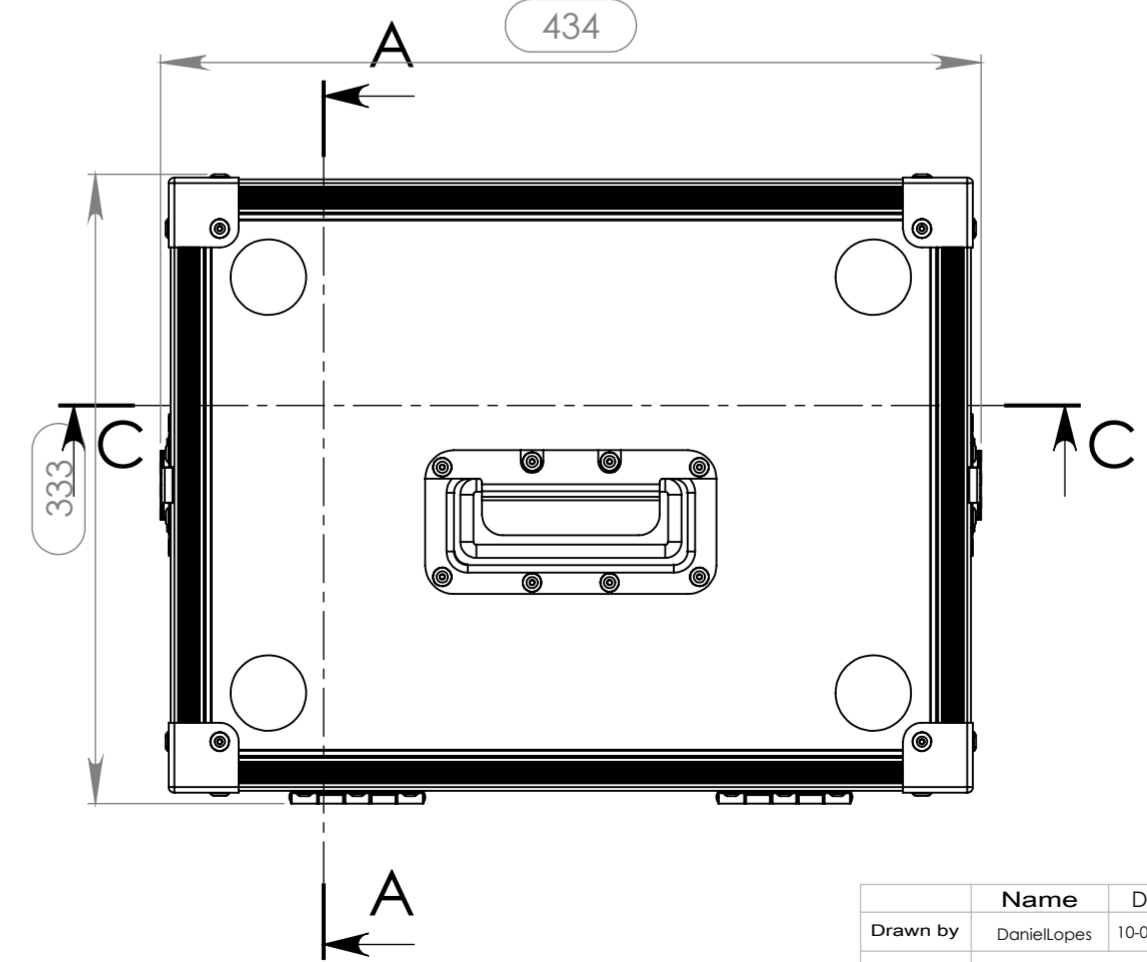
Length	Width	Height
400	300	400



SECTION C-C



SECTION A-A



Drawn by	Name	Date
DanielLopes	DanielLopes	10-01-2012
Reference	650.016	
Scale	units in	general tolerance
1:4	mm	0.8mm
Valse 400x300x400 mm		

