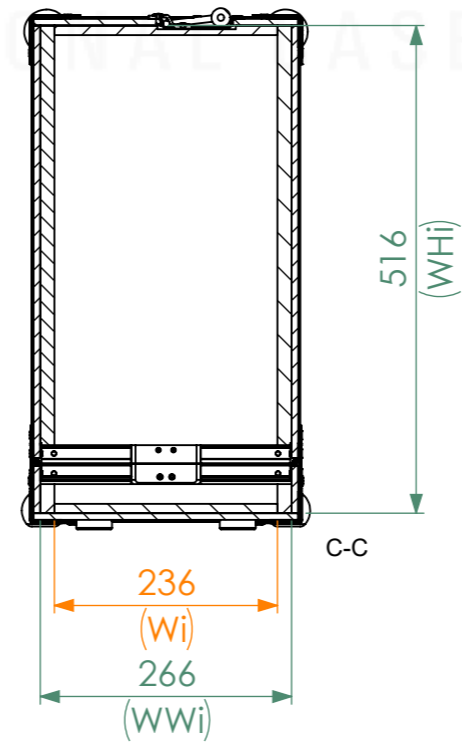
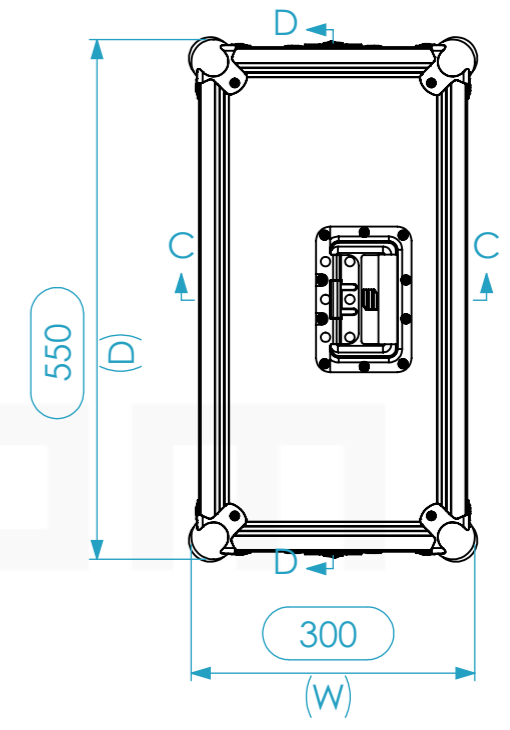
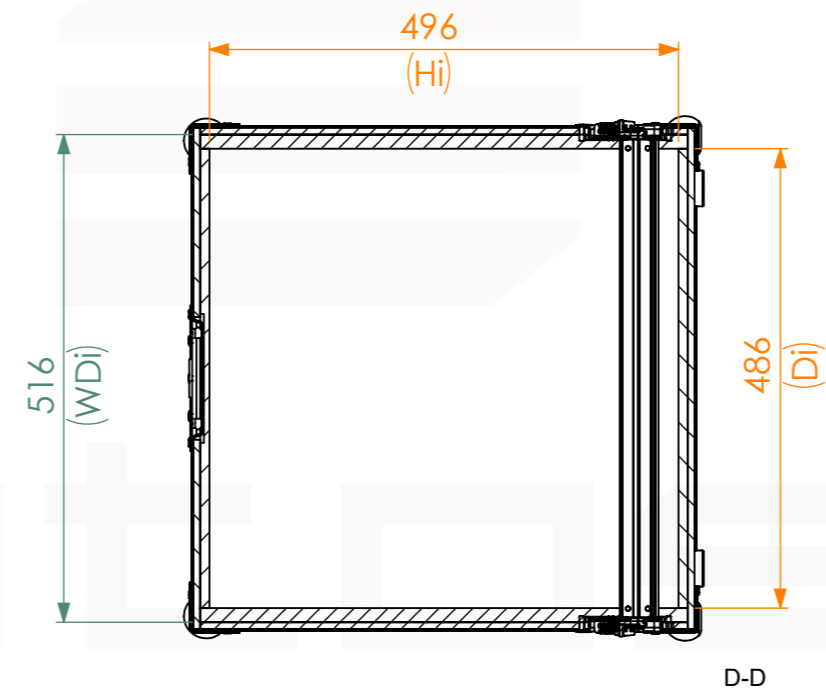
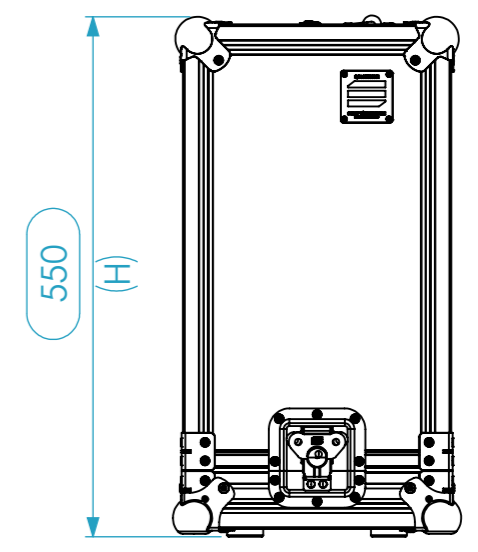
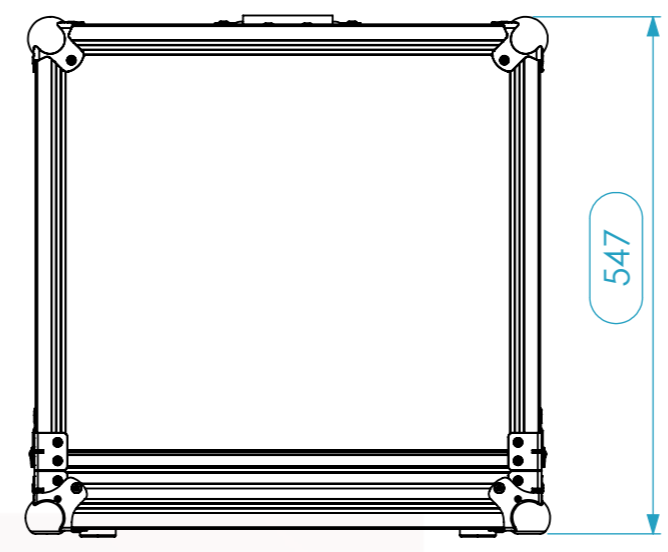
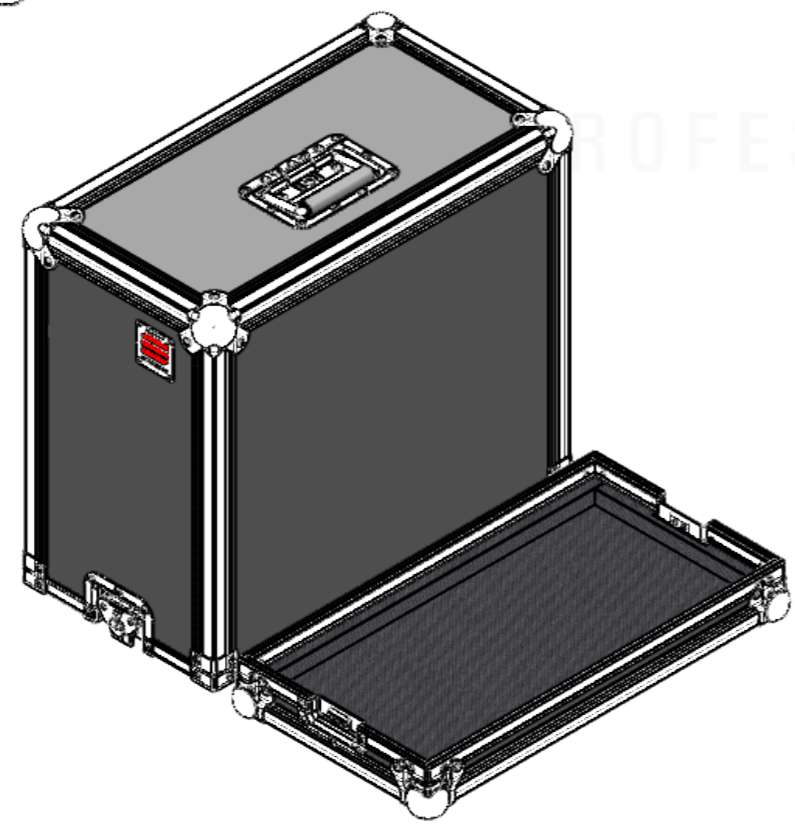
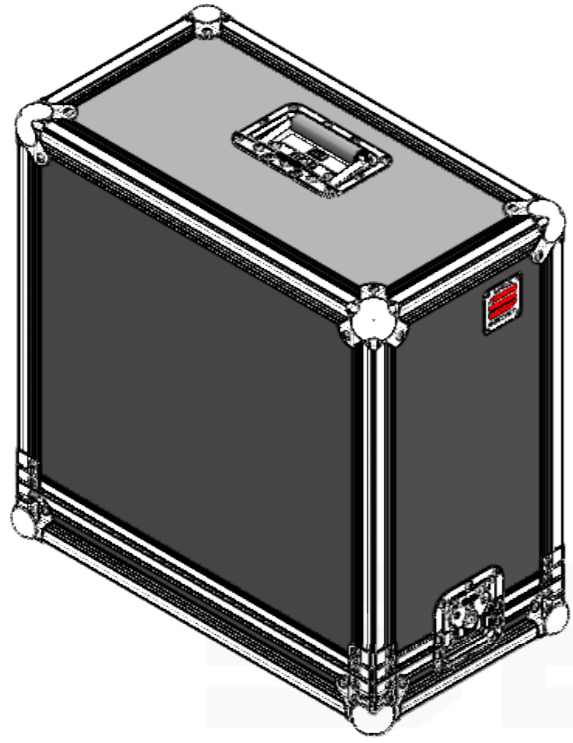


Equipment		Torre PC	
Width	Depth	Height	
229	478	494	
Internal Dimensions			
Width	Depth	Height	
236	486	496	
FC Weight	Approx. 9 Kg		
Wall Thickness	7mm		



General External Dimensions	
W	Width
D	Depth
H	Height
Usable Inner Dimensions (UID)	
Wi	Inside Width
Di	Inside Depth
Hi	Inside Height
Wood Inner Dimensions (WID)	
WWi	Wood Inside Width
WDi	Wood Inside Depth
WHi	Wood Inside Height

Drawn by	Name	Date
projects		07/03/2025
Reference	5556.001	
Scale	units in mm	general tolerance
1:8	DO NOT SCALE	0.8mm
1st Angle projection	FLIGHTCASE M12B (443X263X513)	



This drawing must not be copied or disclosed without consent of the owner

A3