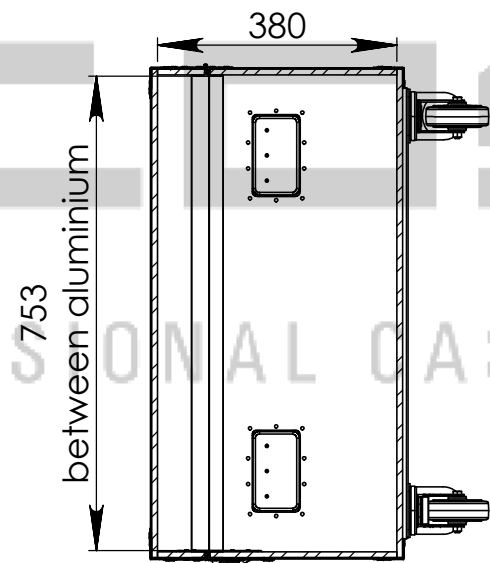
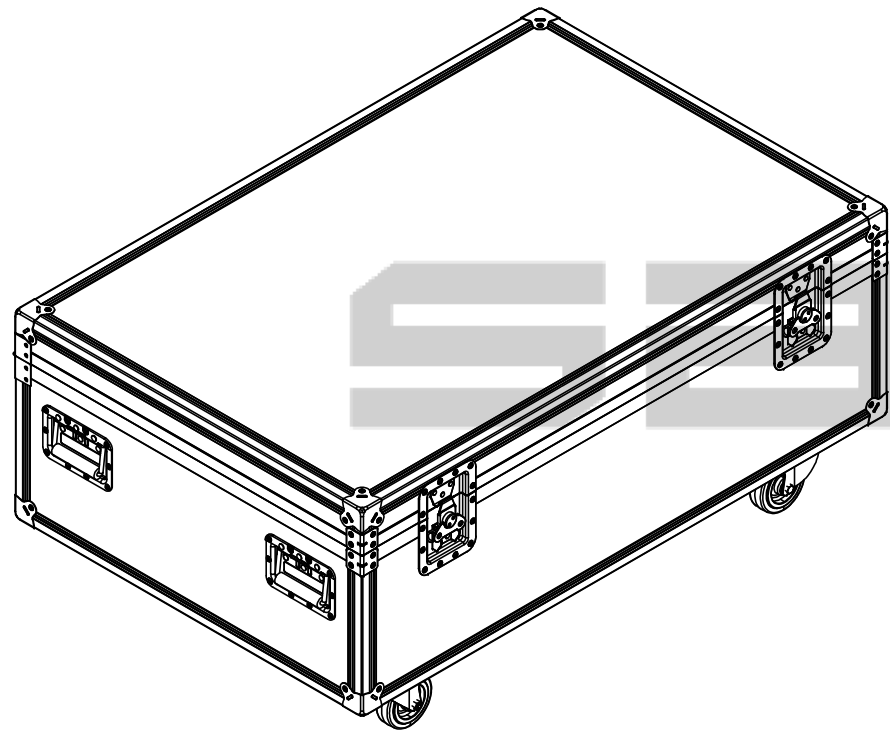
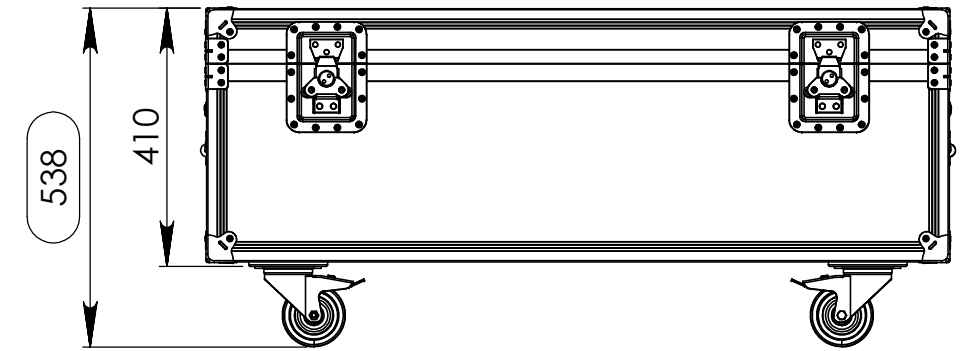
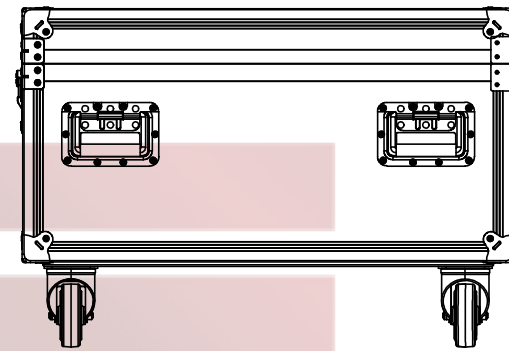
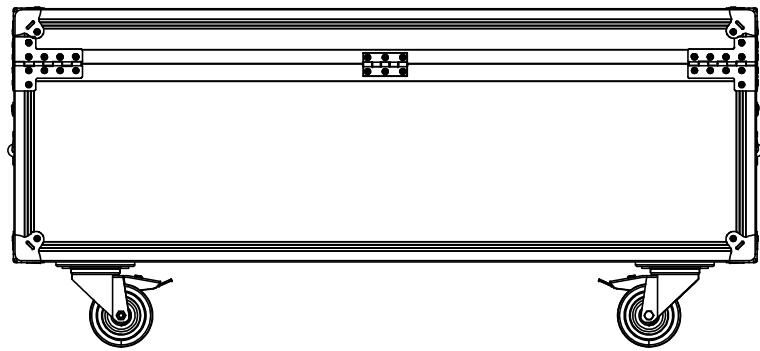


### Interior dimensions

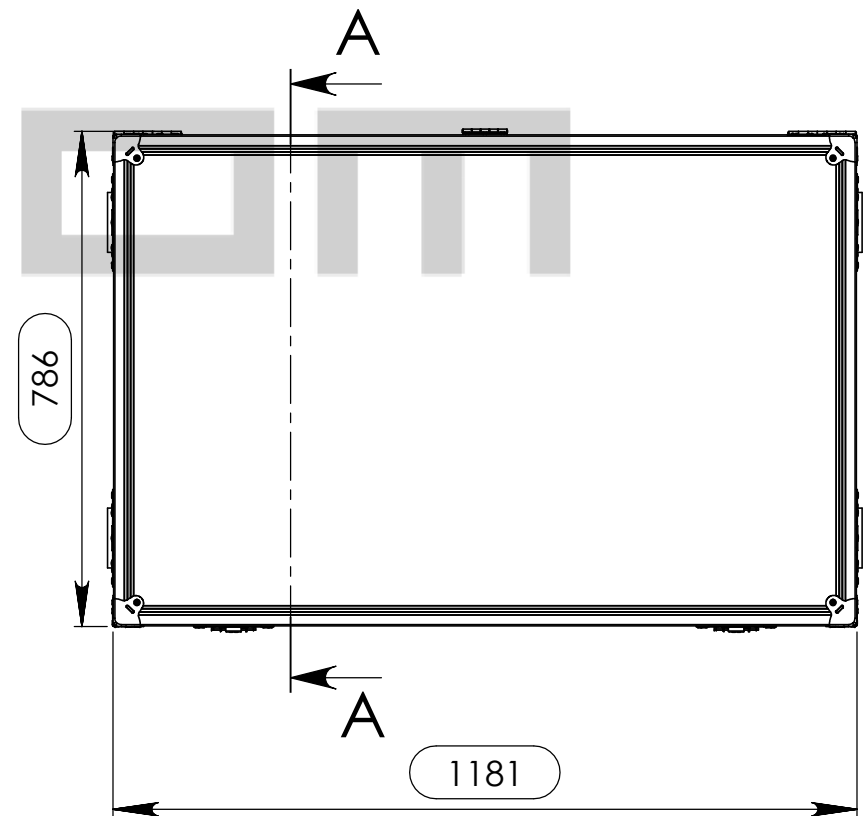
Width	Depth	Height
1153	753	380
Weight	Approx. 31 Kg	
Wall Thickness	9mm	

### Revision Table

Index	Rev.	Description	Date	Draw
-	0	Final Drawing	29/07/2014	Daniel Lopes



SECTION A-A



### Hardware

Qty	Ref.	Description
4	40403	Large corner bracket f. 35mm case angle
8	4004	Case corner zinc plated
4	34082	Recessed sprung handle medium model
1	2602	Medium duty butt hinge z./p.
2	DCR110	110MM hinge shot
2	RODA.100T	Swivel castor Ø100mm with brake
2	RODA.100	Swivel castor Ø100 mm
2	17250S	Large AH butterfly with 'push-back' function in 14mm dish

This drawing must not be copied or disclosed without consent of the owner

Drawn by	Name	Date
DanielLopes	DanielLopes	29-07-2014
Reference	543.100R	
Scale	units in mm	general tolerance
1:12	DO NOT SCALE	0.8mm
MALÃO ECOLINE 1153X753X380MM., RODAS		

