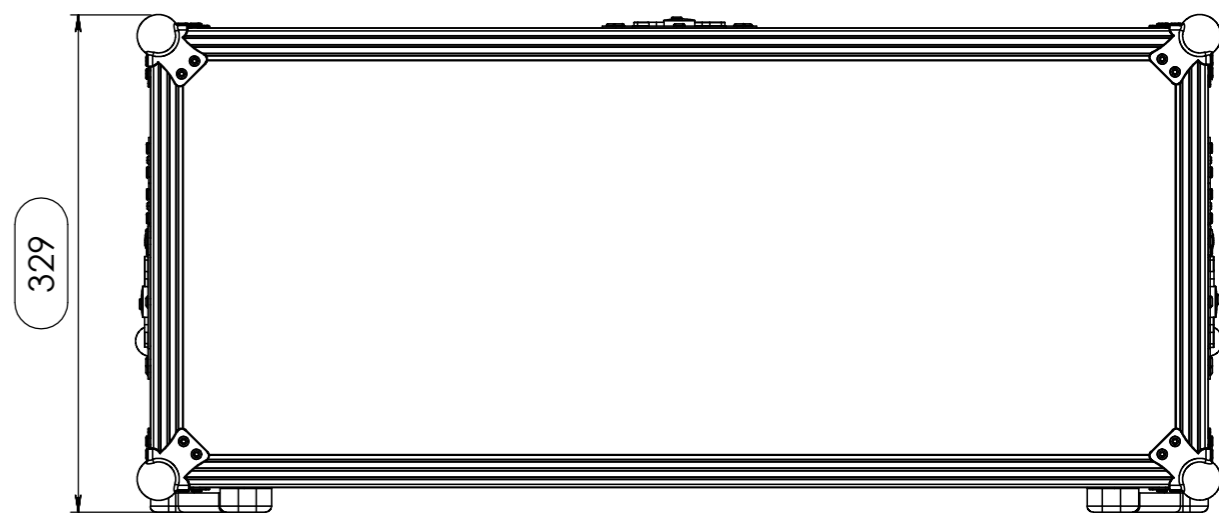
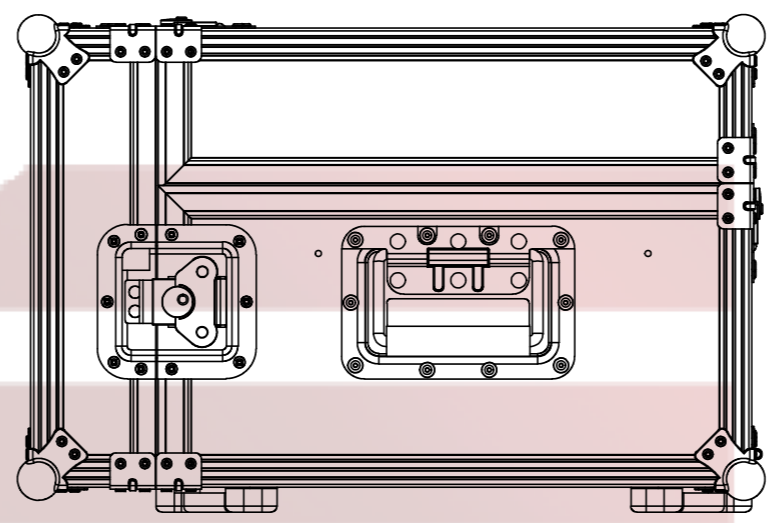
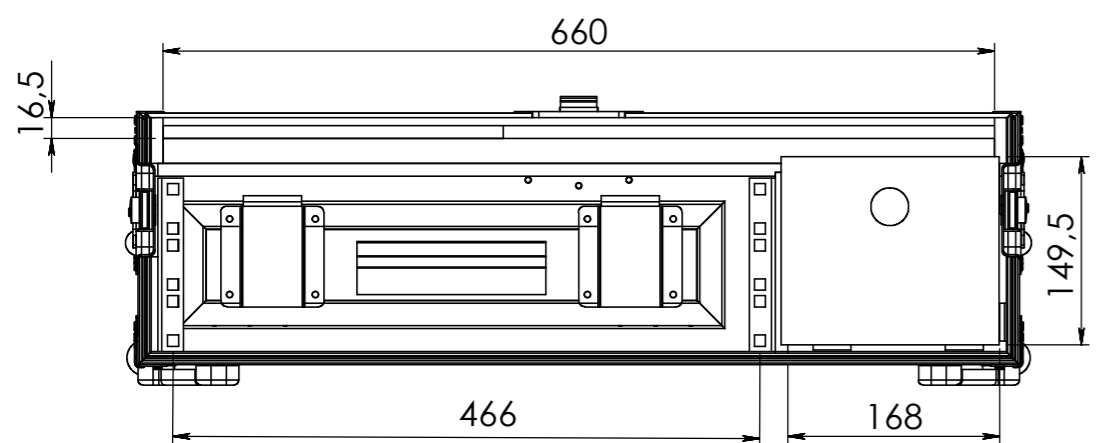
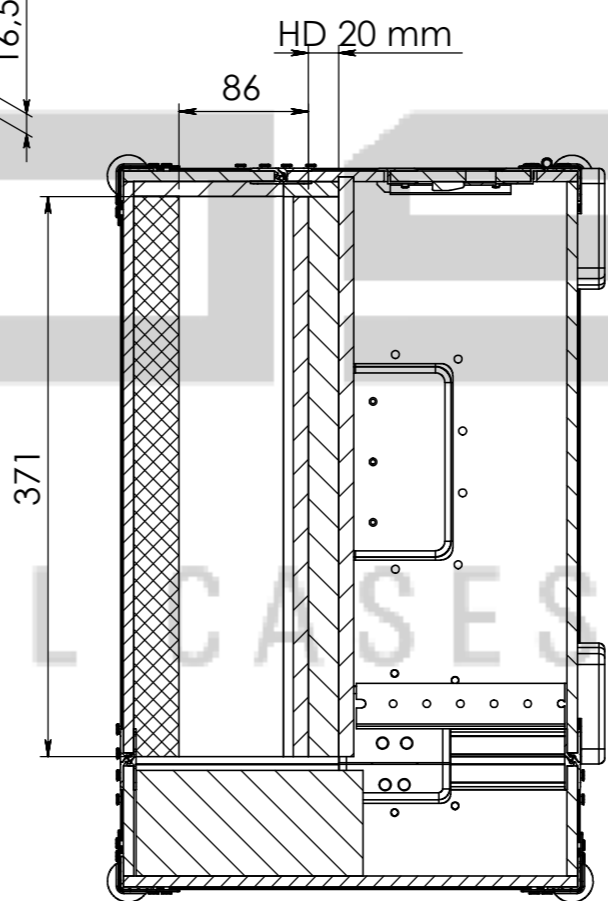
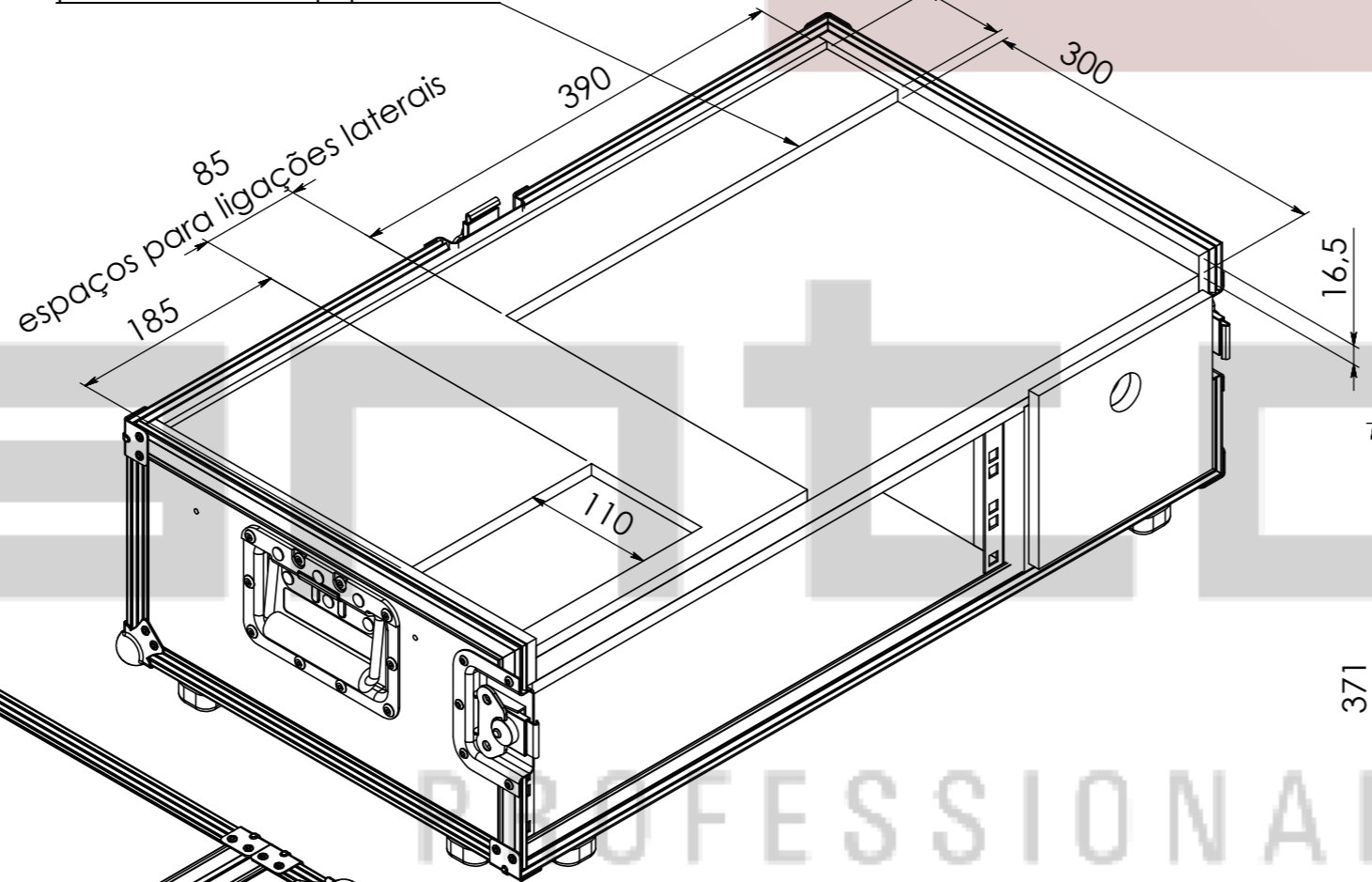


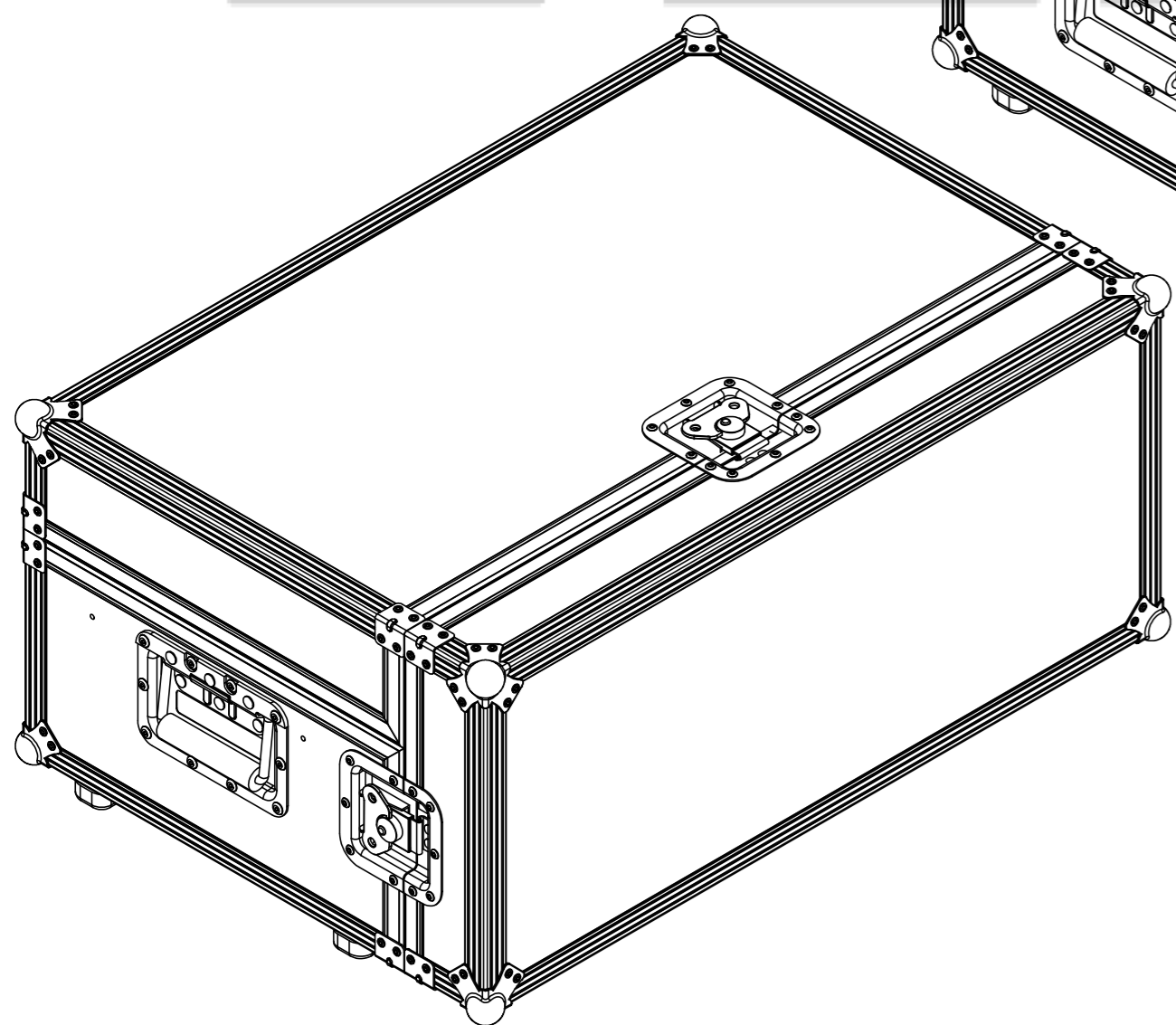
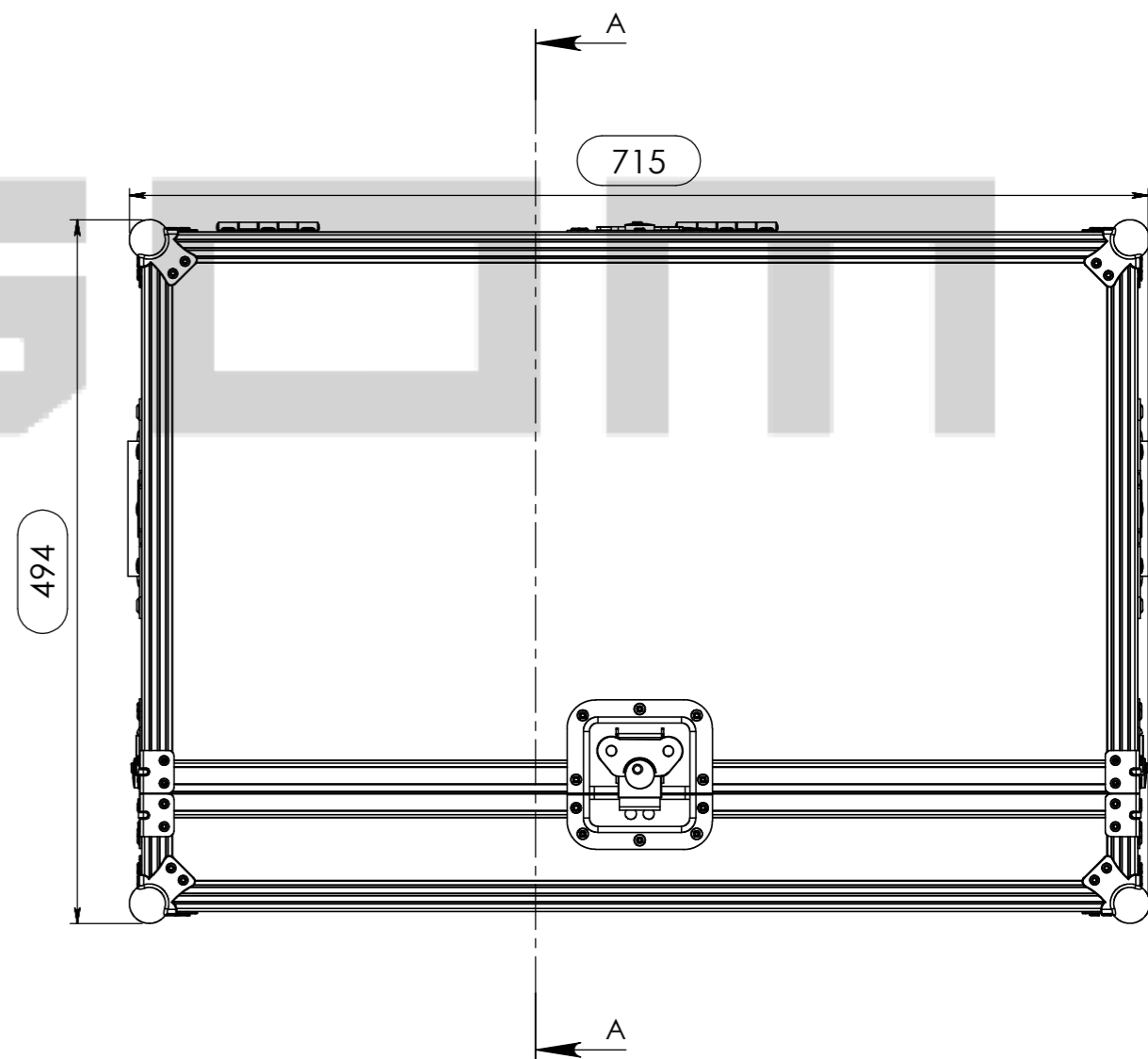
Interior dimensions		
Width	Depth	Height
660	371	86
Weight	Approx. 17 Kg	
Wall Thickness	7mm	



espuma HD 10mm para colocar equipamento



SECTION A-A



Name	Date
Drawn by: DanielLopes	05-09-2012

Reference	525.002
Scale	1:5
Projection	1st Angle

This drawing must not be copied or disclosed without consent of the owner

