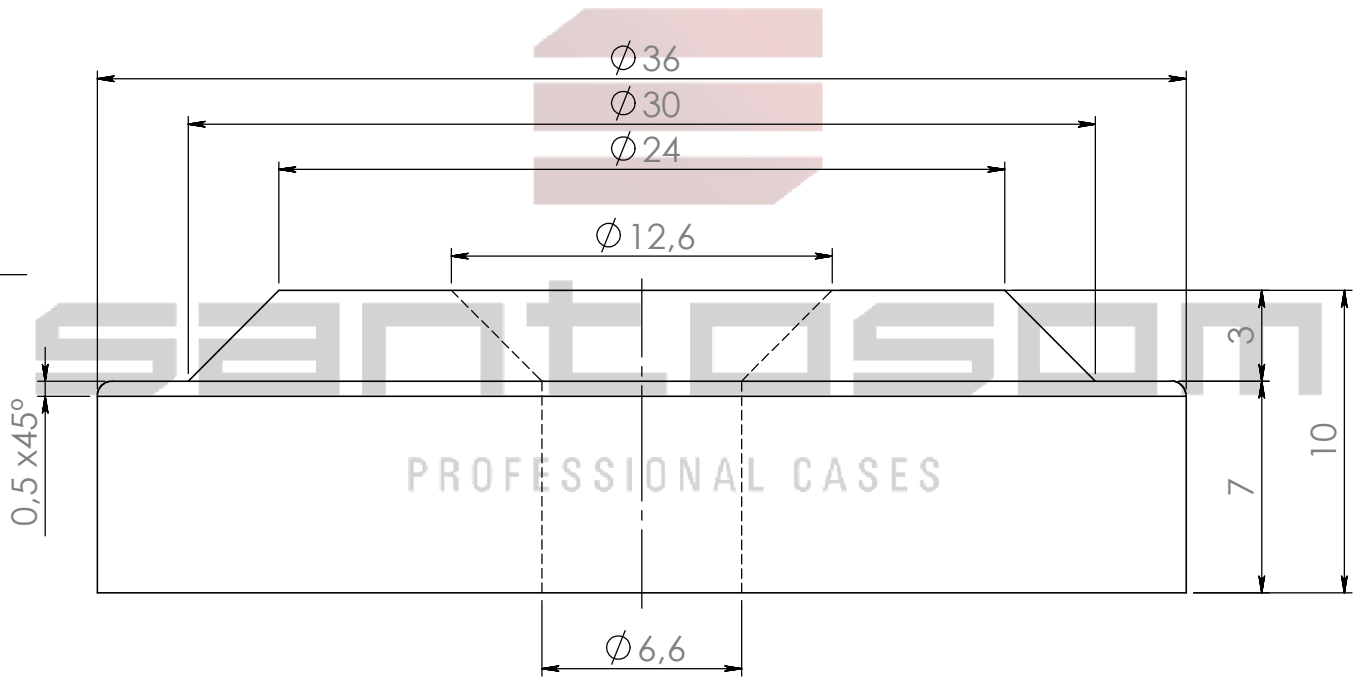


ESCALA 2:1



	Name	Date
Drawn by	DanielLopes	26-03-2013
Reference	49363	
Scale 4:1	units in mm DO NOT SCALE	general tolerance 0.8mm
	PÉ PLÁSTICO 36X10MM MACHO	

This drawing must not be copied or disclosed without consent of the owner

