

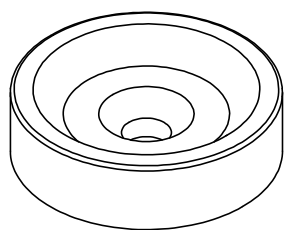
1

2

3

4

A



ESCALA 1:1

B

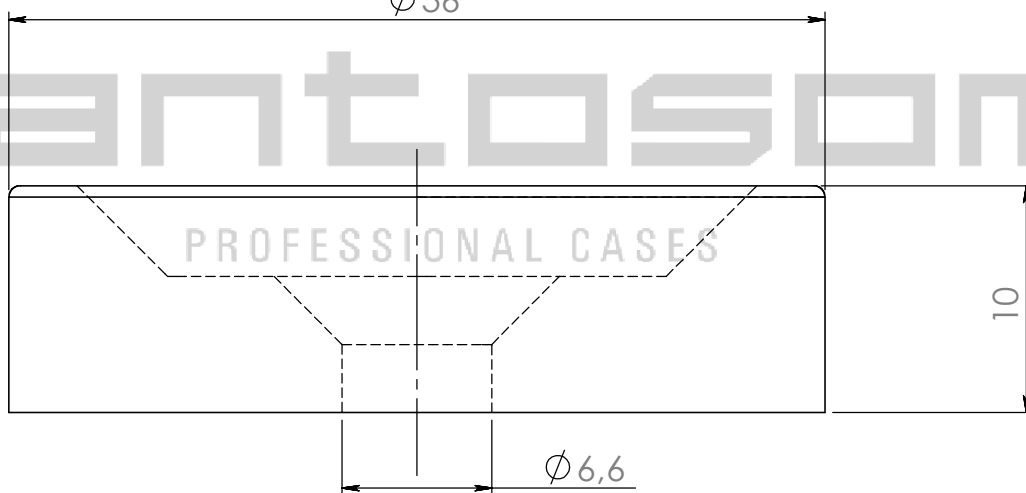
C



Ø36

santosom

D



PROFESSIONAL CASES

10

Ø6,6

E

F

	Name	Date
Drawn by	pedroneves	10-12-2012
Reference	49362	
 1st Angle projection	Scale	units in mm
	3:1	DO NOT SCALE
		general tolerance
		0.8mm
PÉ PLÁSTICO 36X10MM FEMEA		

This drawing must not be copied or disclosed without consent of the owner

