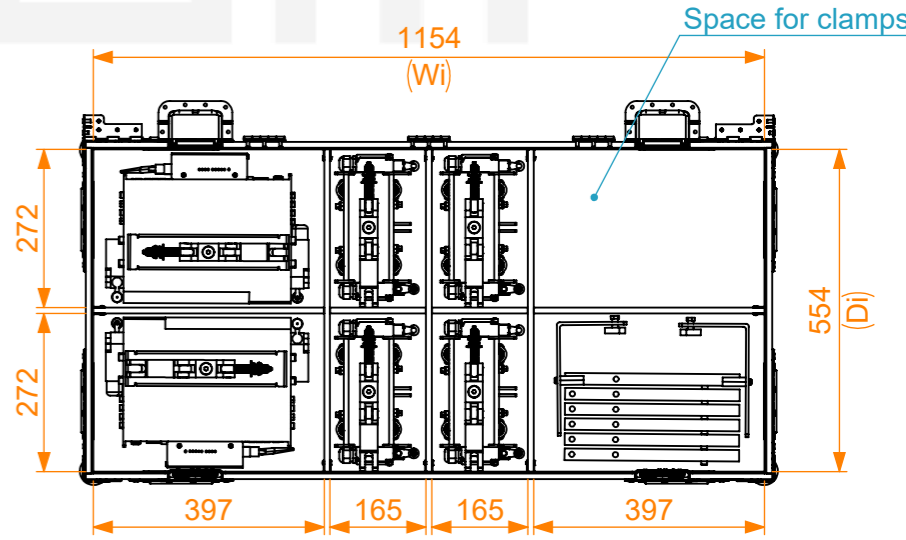
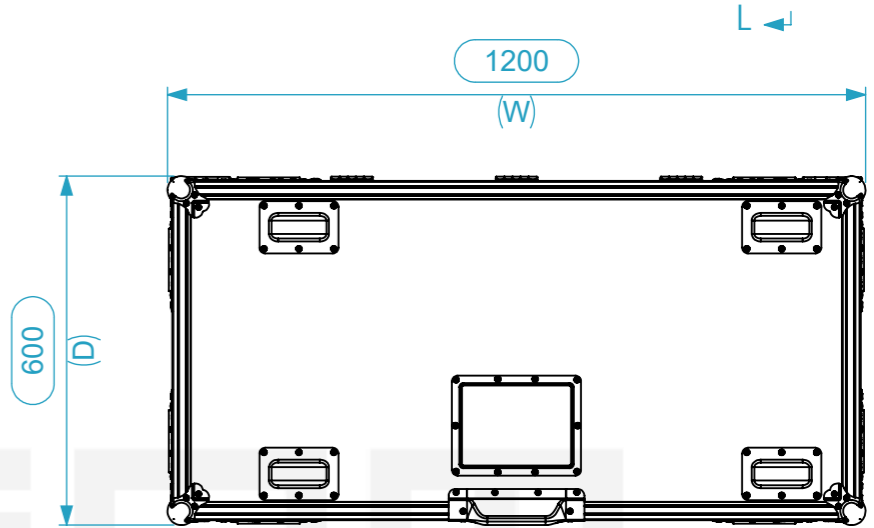
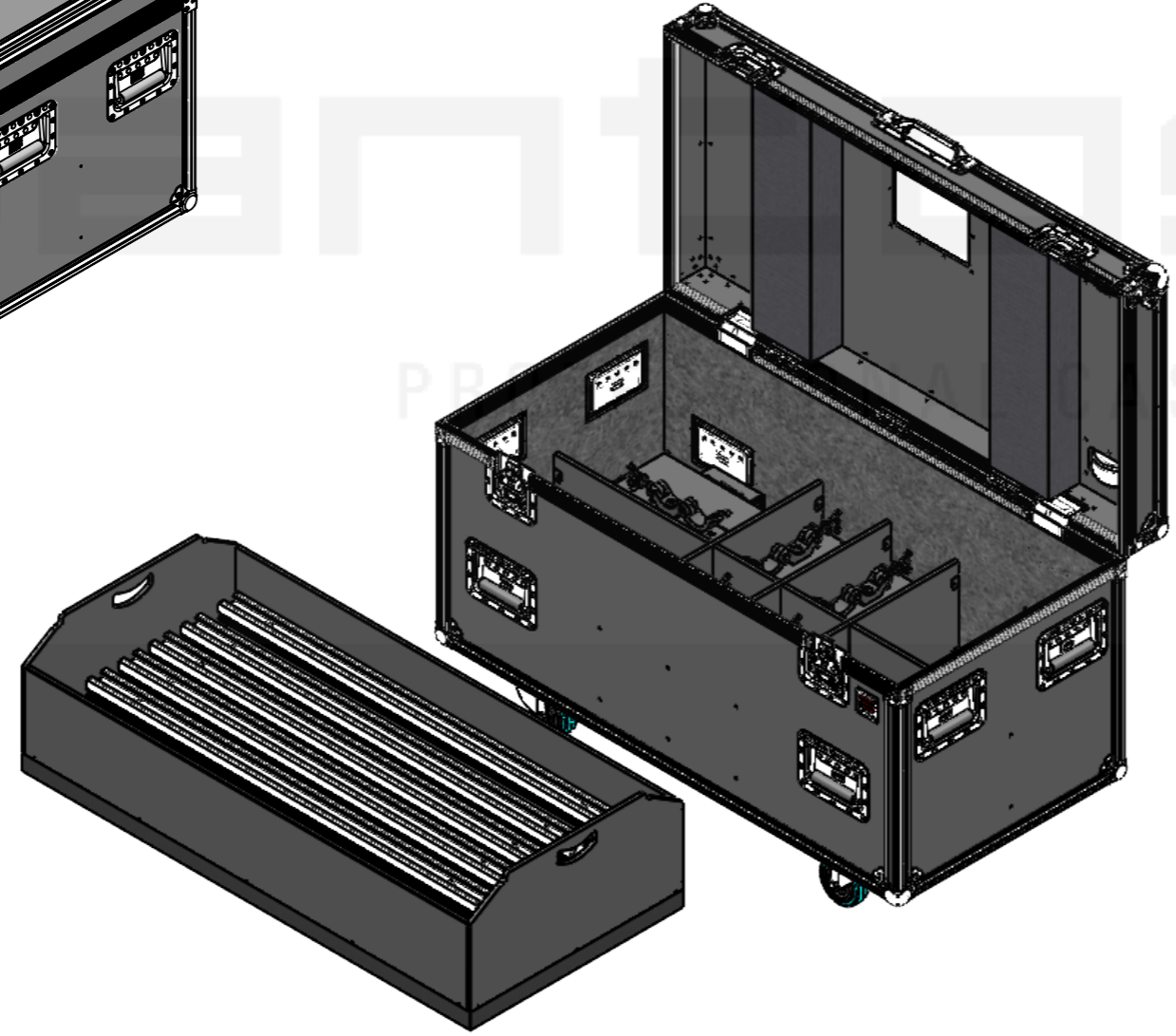
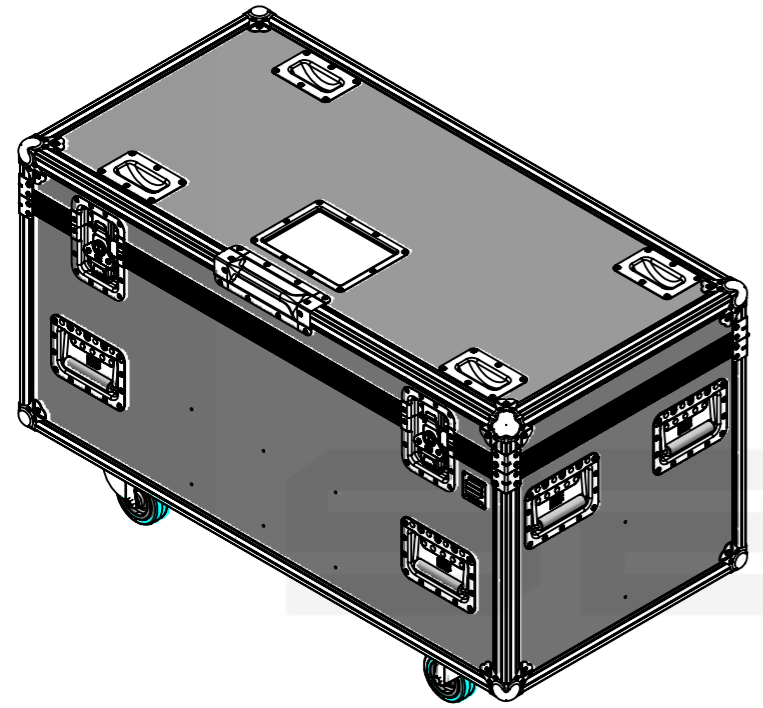
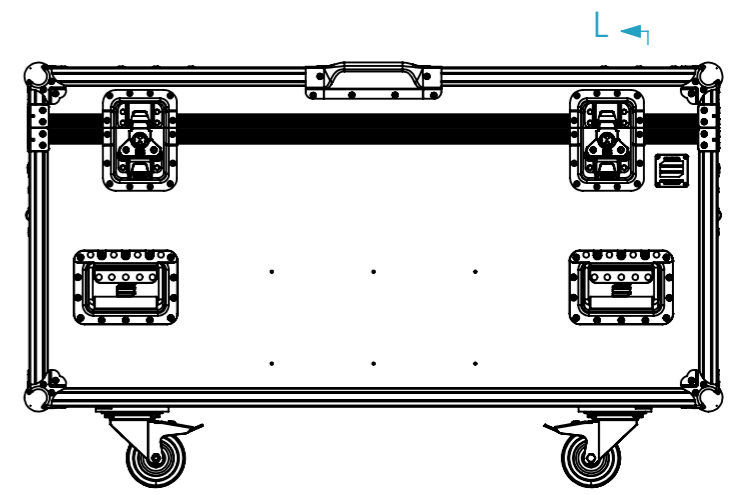
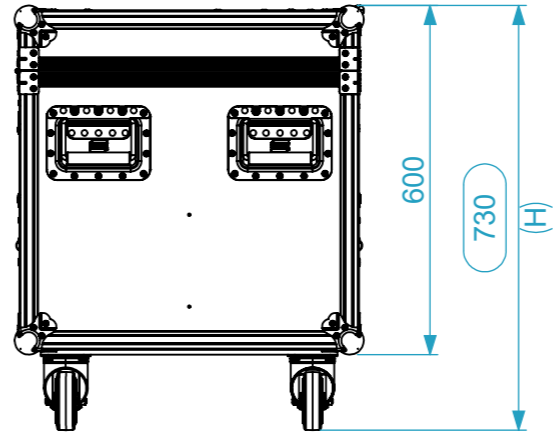
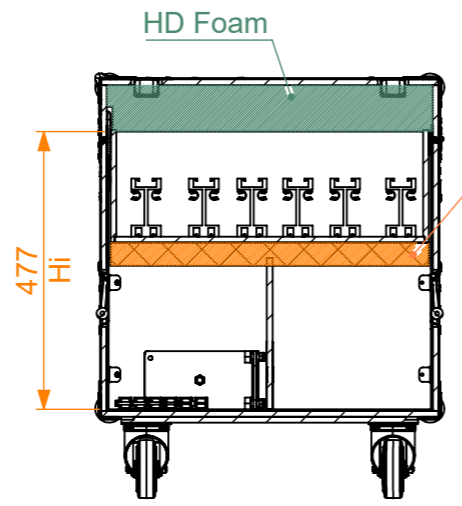


Equipment		
Width	Depth	Height
1154	554	477
Internal Dimensions		
Width	Depth	Height
465	445	673
Weight	Approx. 87.49 Kg	
Wall Thickness	10mm	



General External Dimensions		Usable Inner Dimensions	
W	Width	Wi	Inside Width
D	Depth	Di	Inside Depth
H	Height	Hi	Inside Height

Name	Date
rita.monteiro	16/02/2026
Reference	4646.002
Scale	1:13
units in mm	general tolerance 0.8mm
DO NOT SCALE	
Flight case PRO-2, Motorização painel led	



A3 This drawing must not be copied or disclosed without consent of the owner

