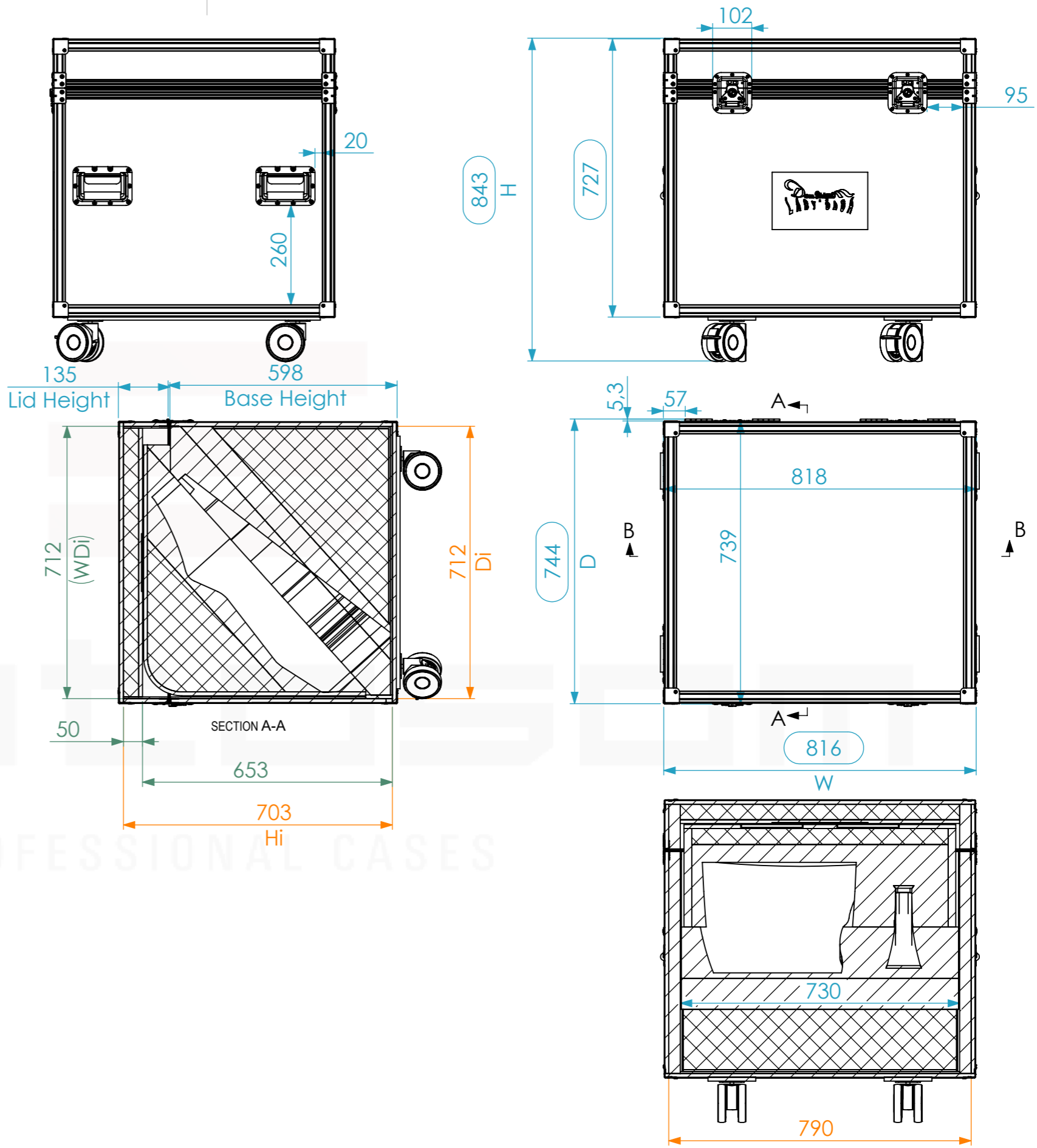
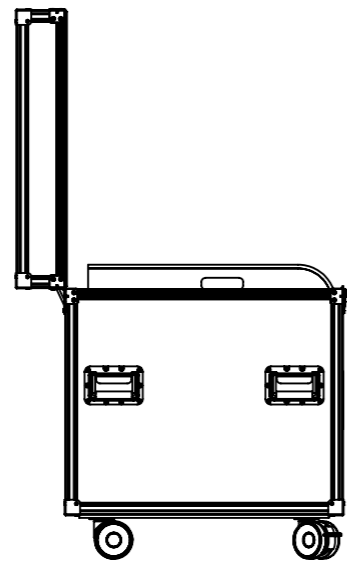
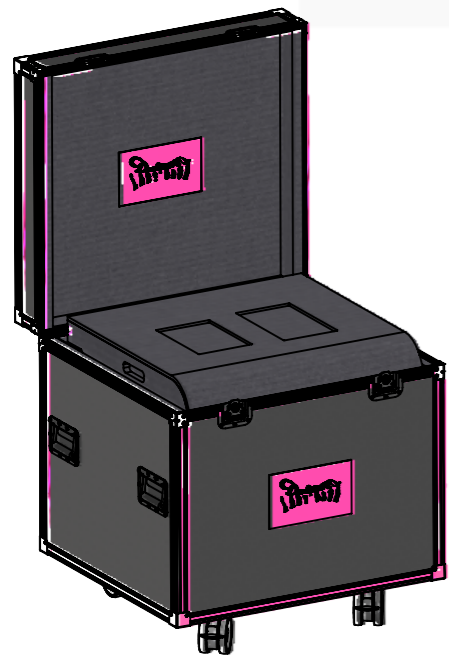
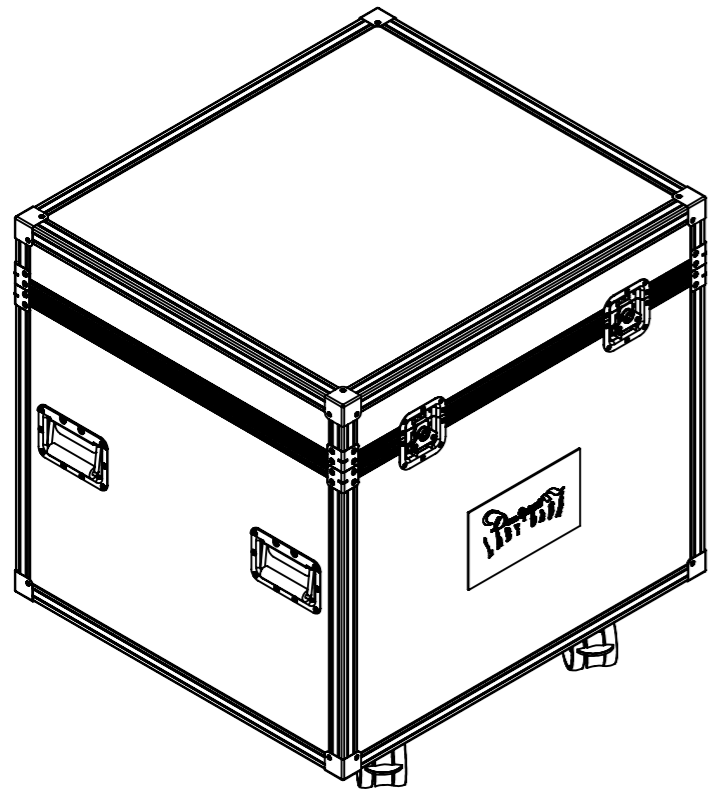


Internal Dimensions		
Width	Depth	Height
786	708	703
Weight	Approx. 33 Kg	
Wall Thickness		10mm



General External Dimensions		Usable Inner Dimensions (UID)	
W	Width	Wi	Inside Width
D	Depth	Di	Inside Depth
H	Height	Hi	Inside Height

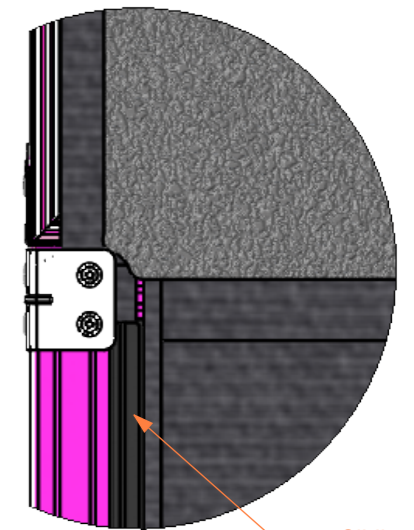
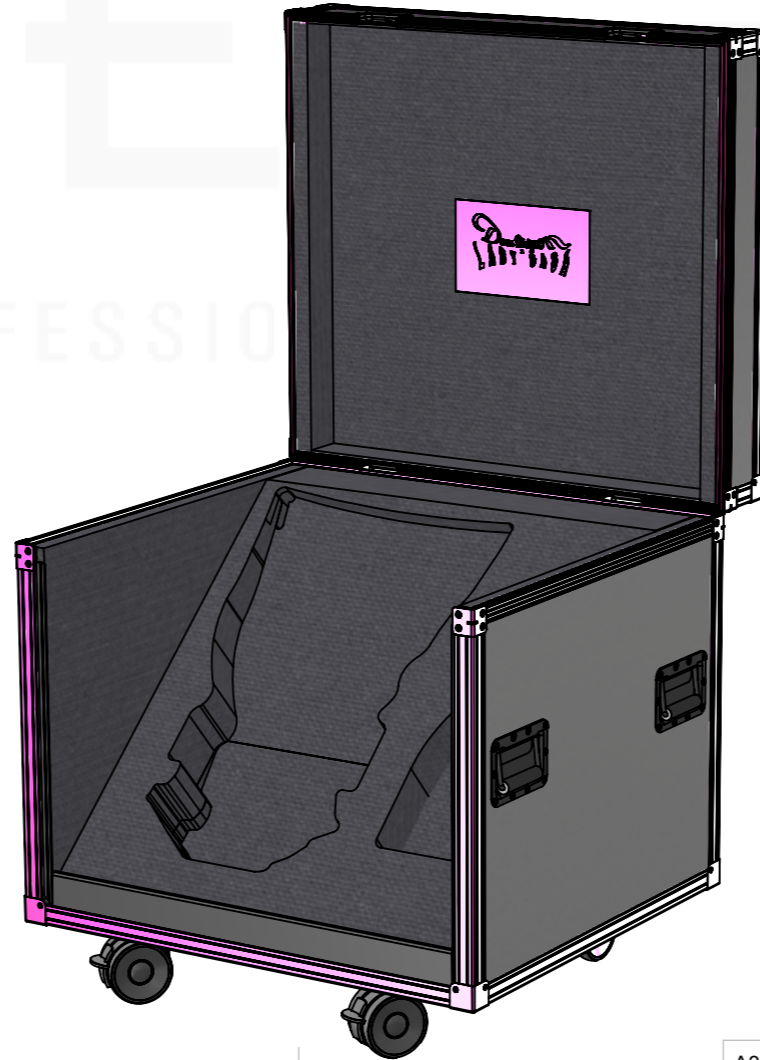
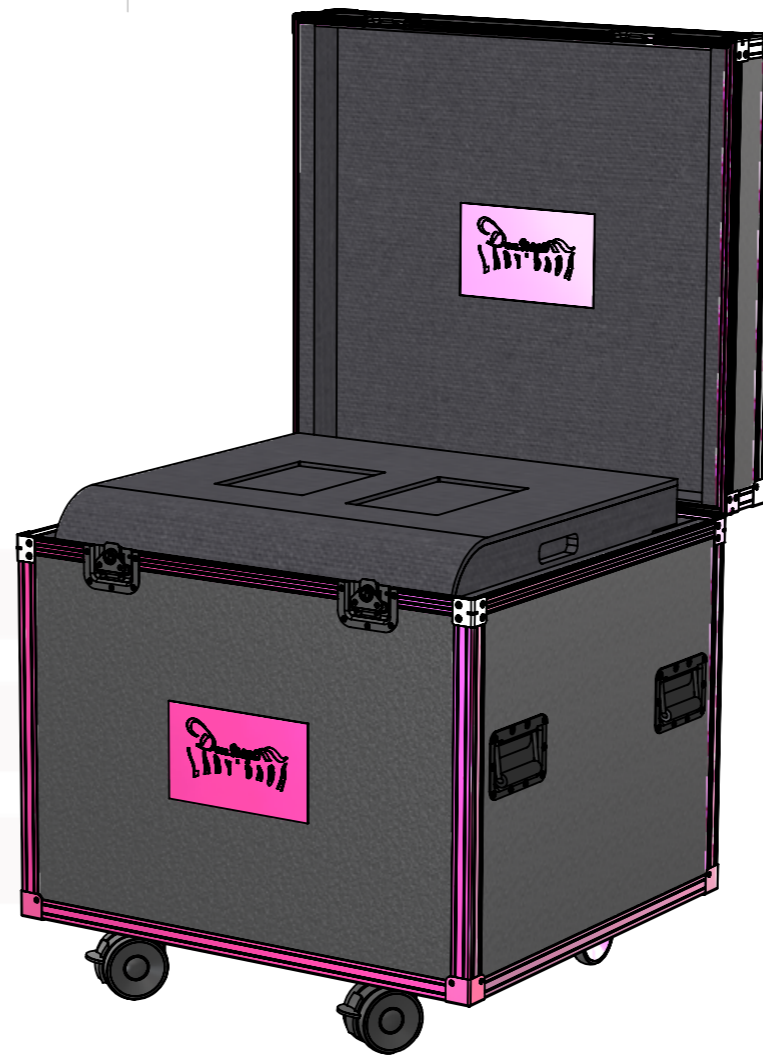
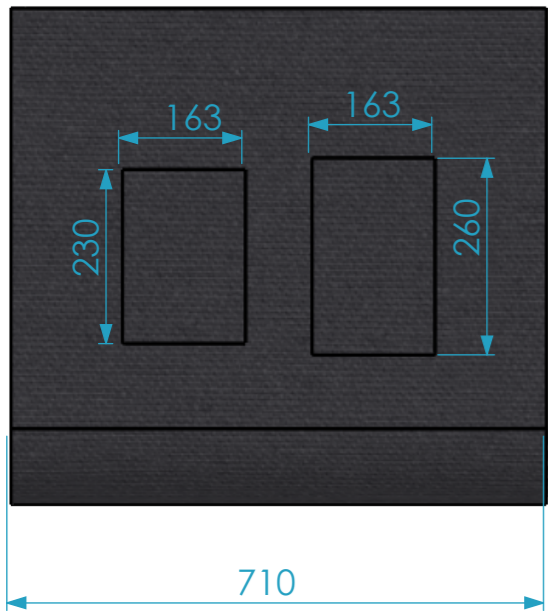
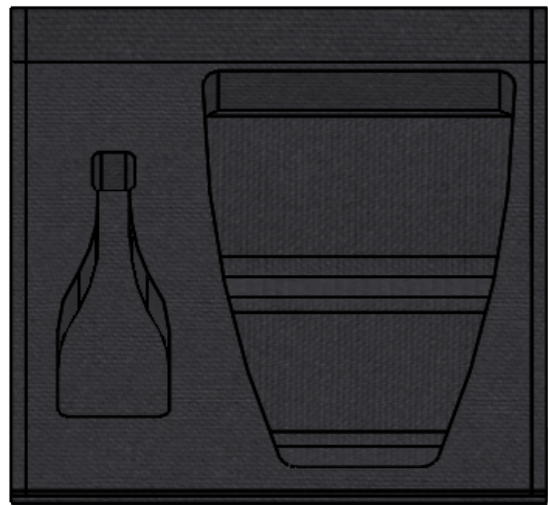
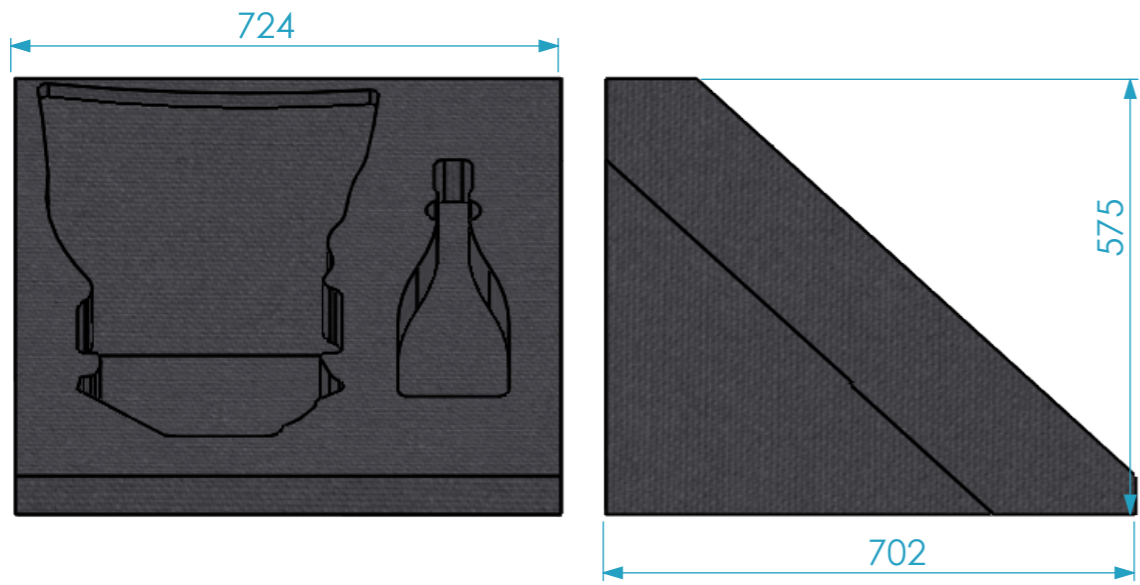
Drawn by	Name	Date
telmosantos	telmosantos	26/05/2021
Reference	3871.001	
Scale	units in mm	general tolerance
1:12	DO NOT SCALE	0,8mm
1st Angle projection	Trunk GAGA	



This drawing must not be copied or disclosed without consent of the owner

A3

SECTION B-B



Sliding system
(Black Profile)

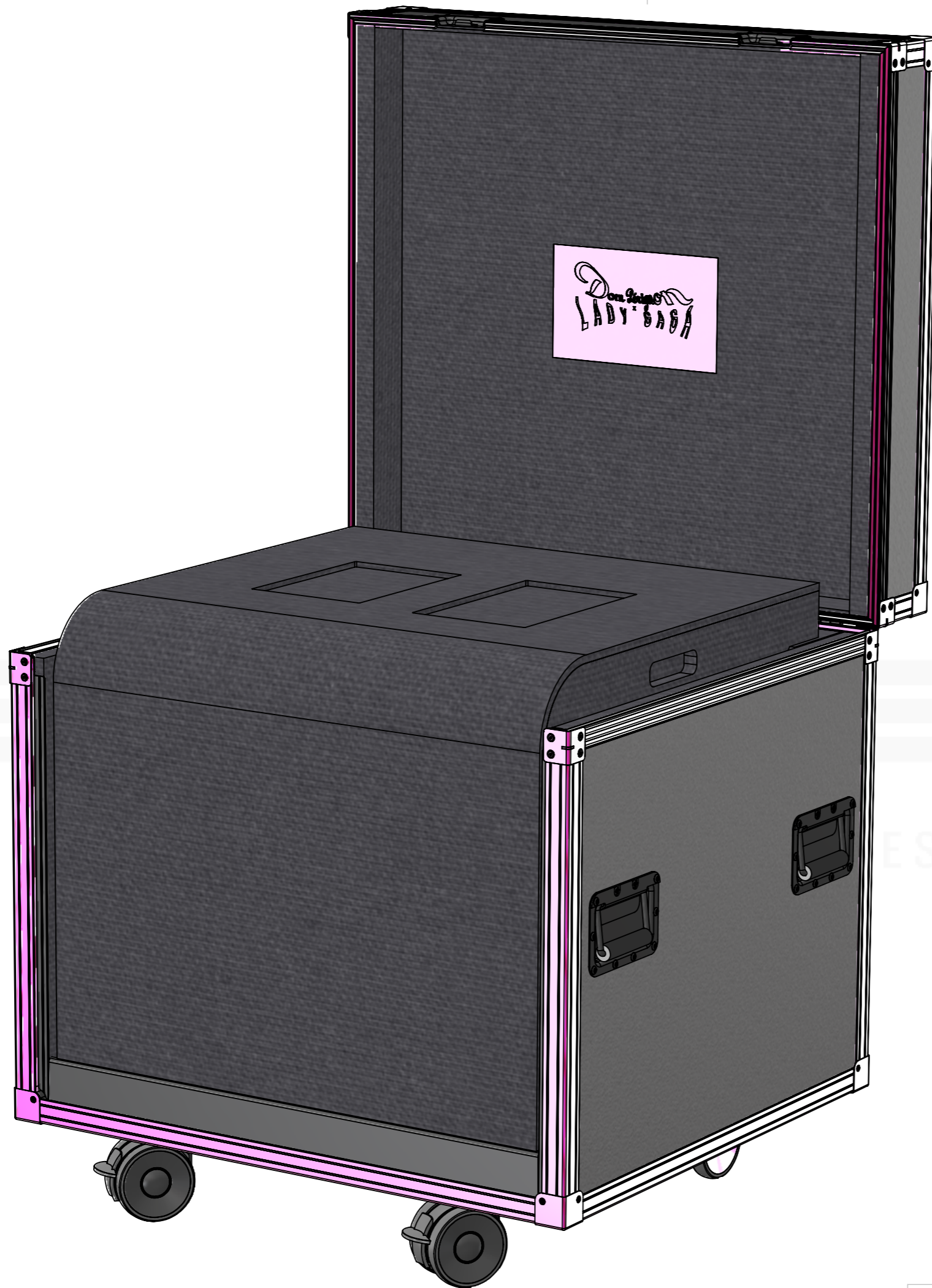
Name	telmosantos	
Date	26/05/2021	
Reference	3871.001	
Scale	1:10	units in mm
DO NOT SCALE		general tolerance 0.8mm
Trunk GAGA		



This drawing must not be copied or disclosed without consent of the owner

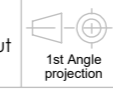


A3



A3

This drawing must not be copied or disclosed without consent of the owner



Scale 1:5
units in mm DO NOT SCALE
general tolerance 0.8mm

Drawn by	telmosantos	Name	telmosantos	Date	26/05/2021
Reference	3871.001				

Trunk GAGA



santosom
PROFESSIONAL CASES