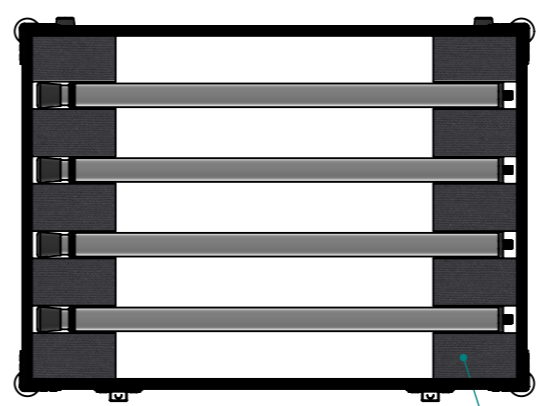
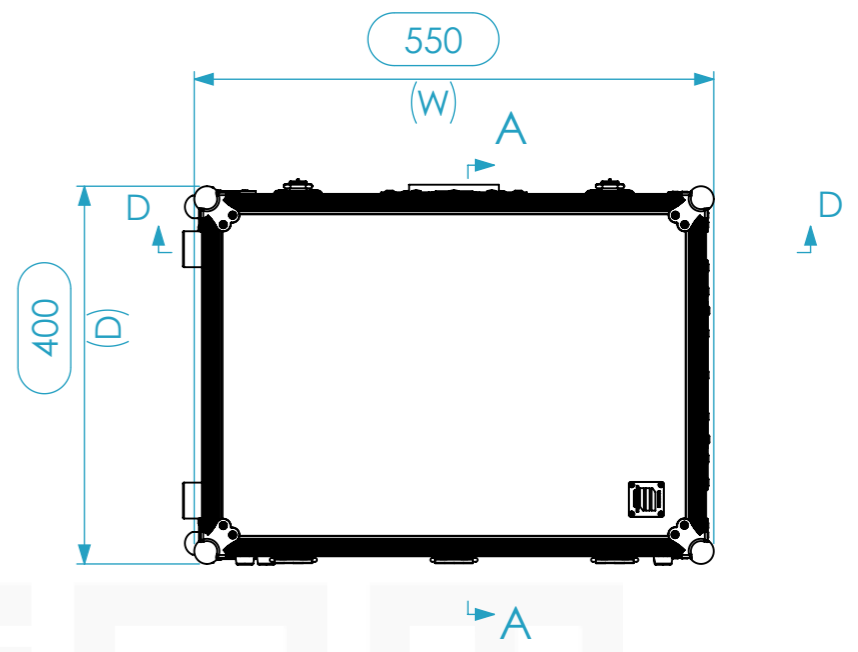
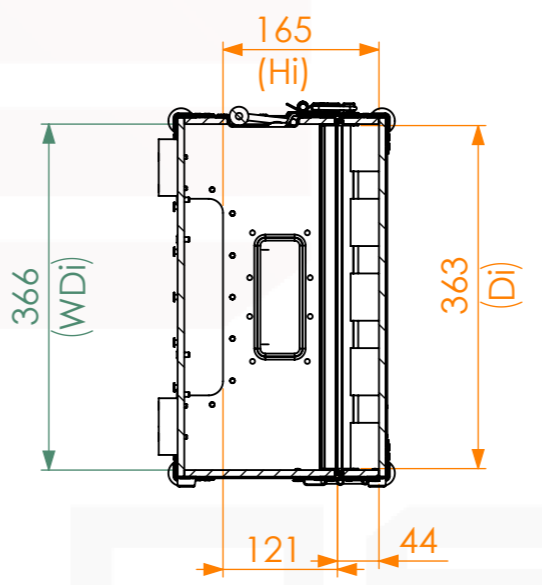
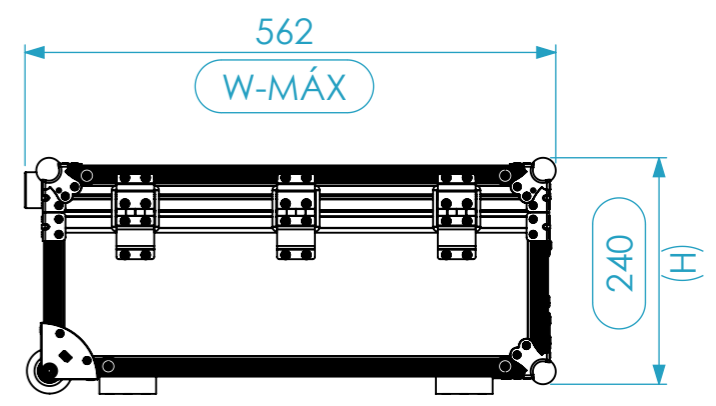
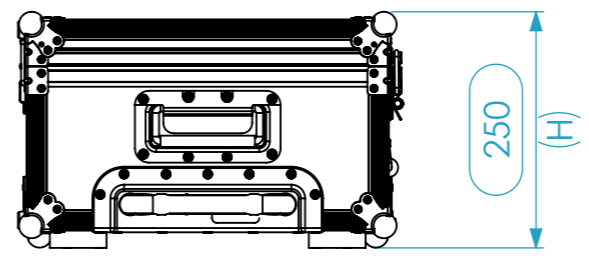
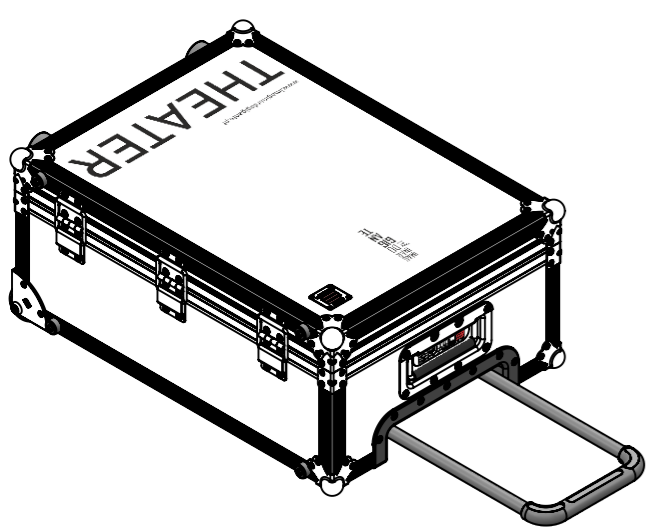
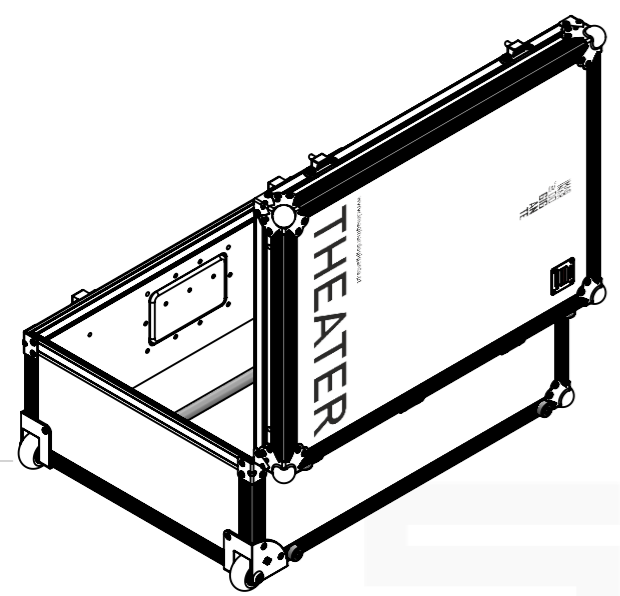
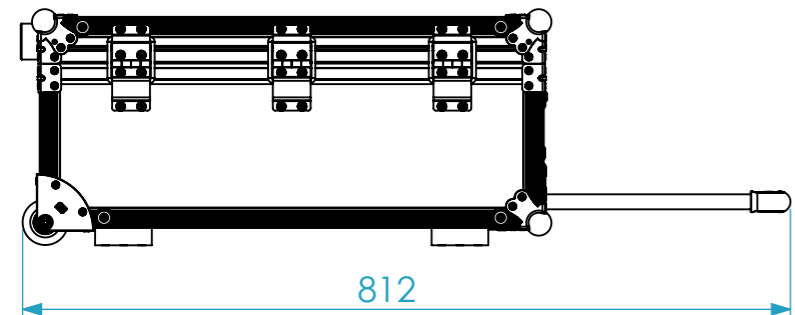
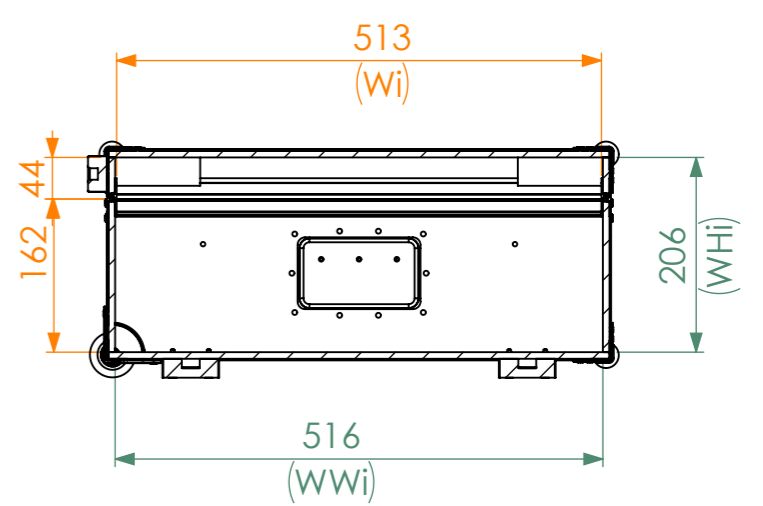


Internal Dimensions		
Width	Depth	Height
513	363	203
Weight	Approx. 8 Kg	
Wall Thickness	7mm	



HD Foam

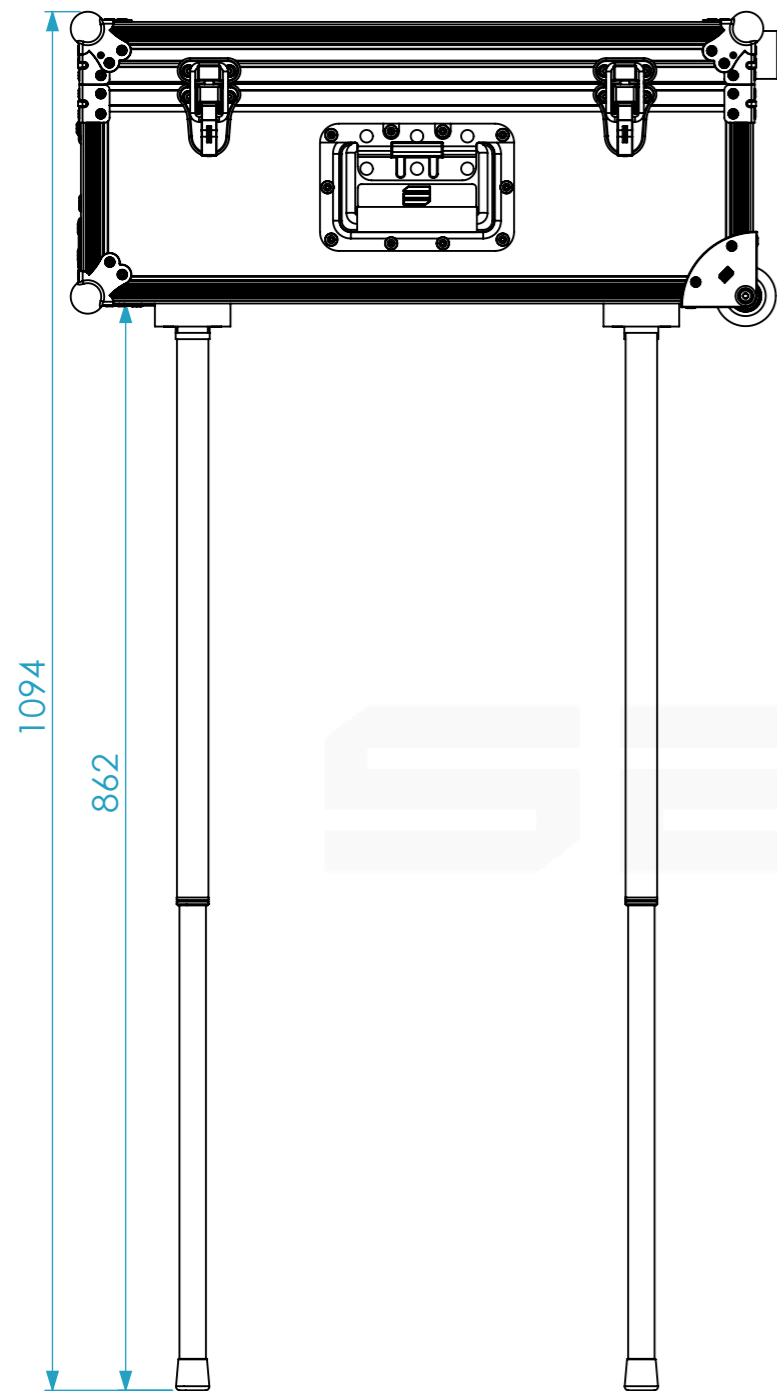


General External Dimensions		Usable Inner Dimensions (UID)		Wood Inner Dimensions (WID)	
W	Width	Wi	Inside Width	WWi	Wood Inside Width
D	Depth	Di	Inside Depth	WDi	Wood Inside Depth
H	Height	Hi	Inside Height	WHi	Wood Inside Height

A3 This drawing must not be copied or disclosed without consent of the owner

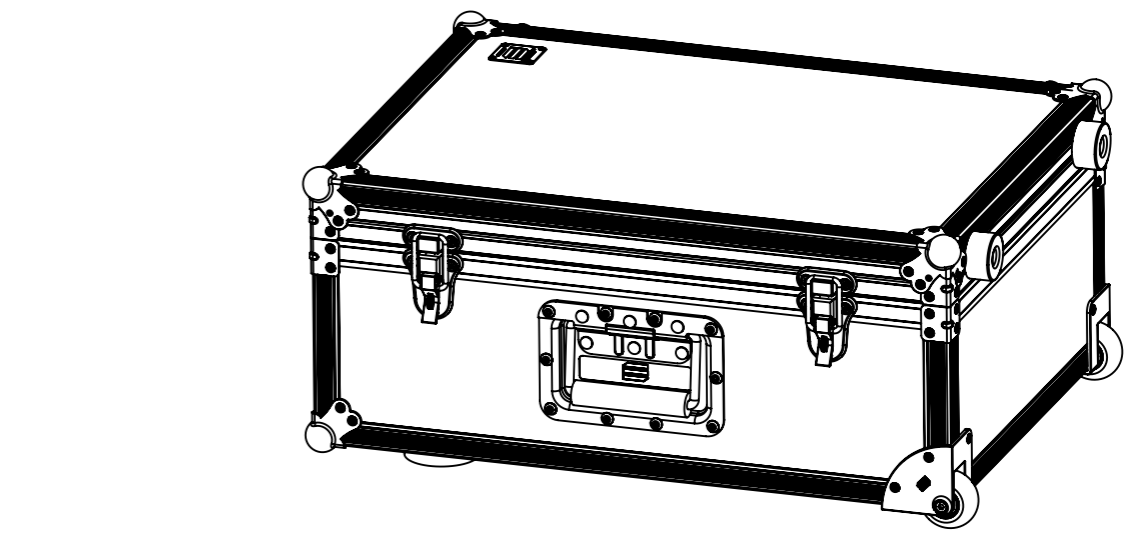
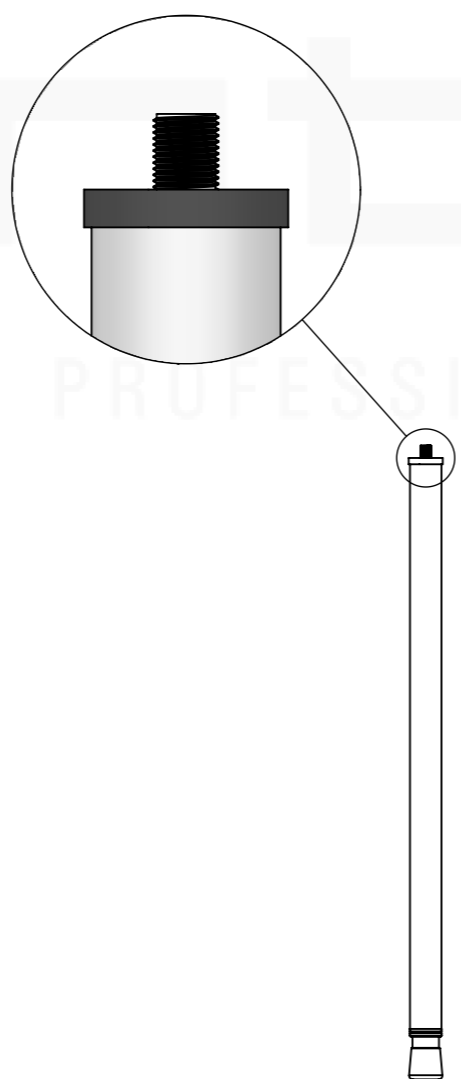
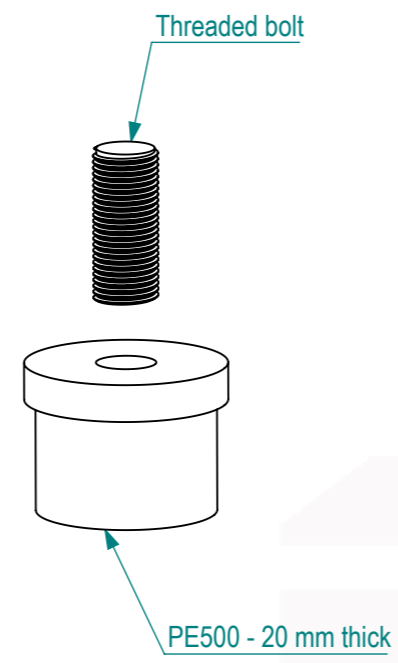
Drawn by	Name	Date
CarlaSilva	CarlaSilva	10/12/2020
Reference	3860.001	
Scale	units in mm	general tolerance
1:8	DO NOT SCALE	0.8mm
1st Angle projection	Mala 51R 55.40.20 (51x36x16 WID)	



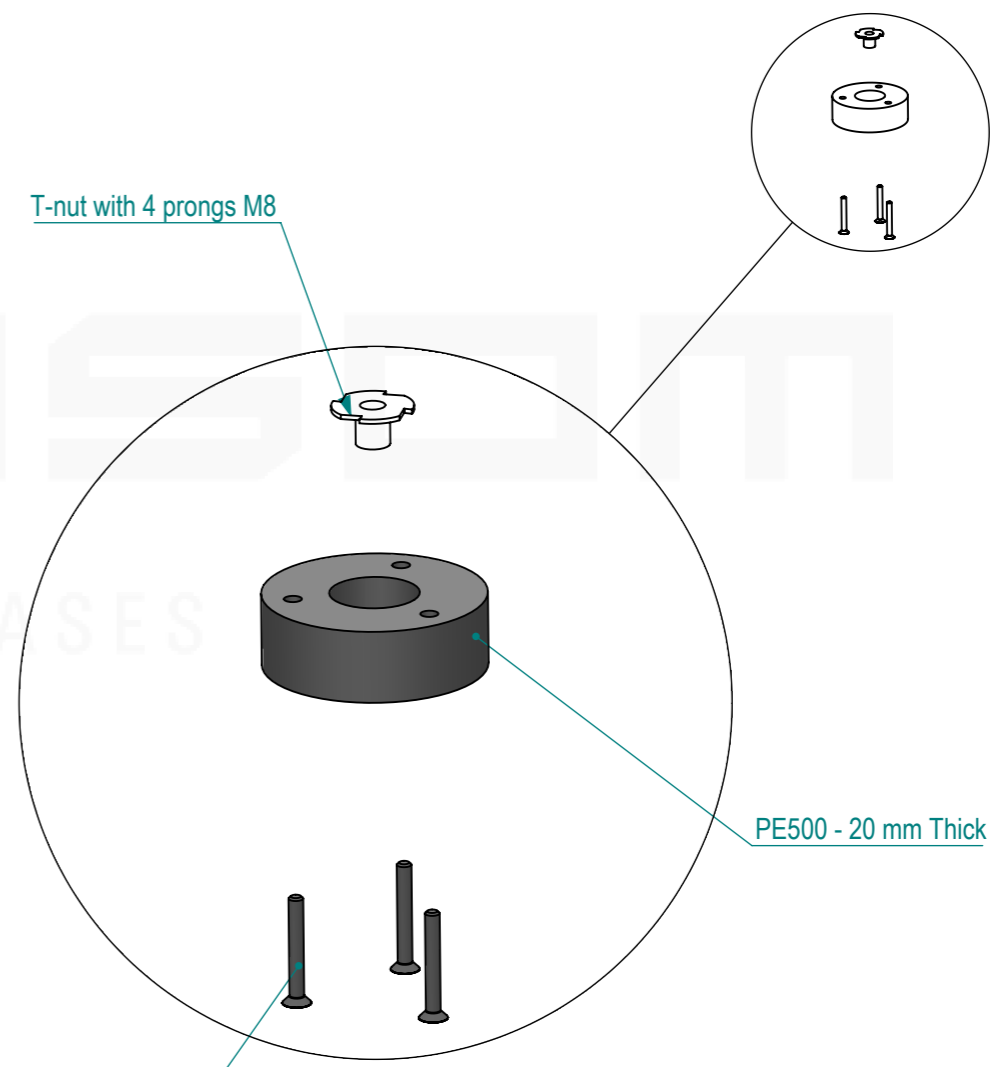


1094

862



T-nut with 4 prongs M8



Drawn by	Name	Date
CarlaSilva	CarlaSilva	10/12/2020
Reference	3860.001	
Scale	units in mm	general tolerance
1:6	DO NOT SCALE	0.8mm
Mala \$1R 55.40.20 (51x36x14 WID)		



A3 This drawing must not be copied or disclosed without consent of the owner

