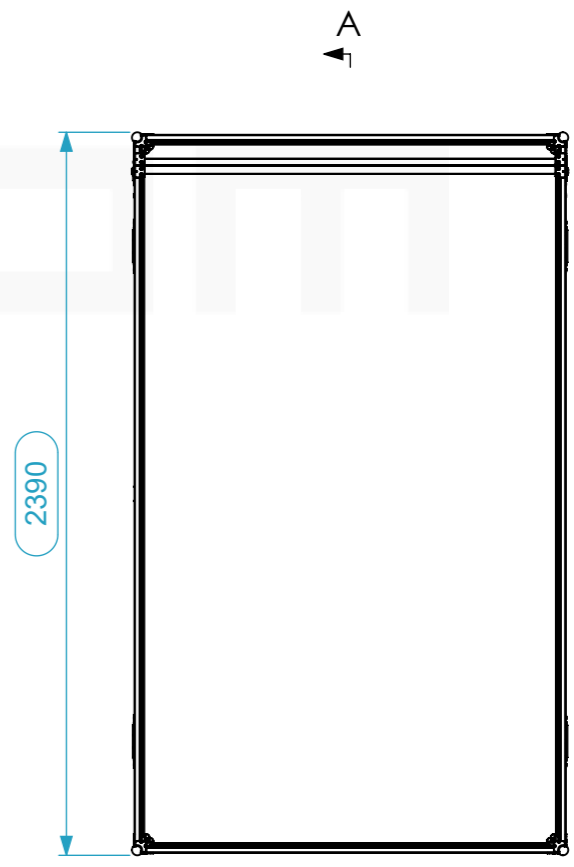
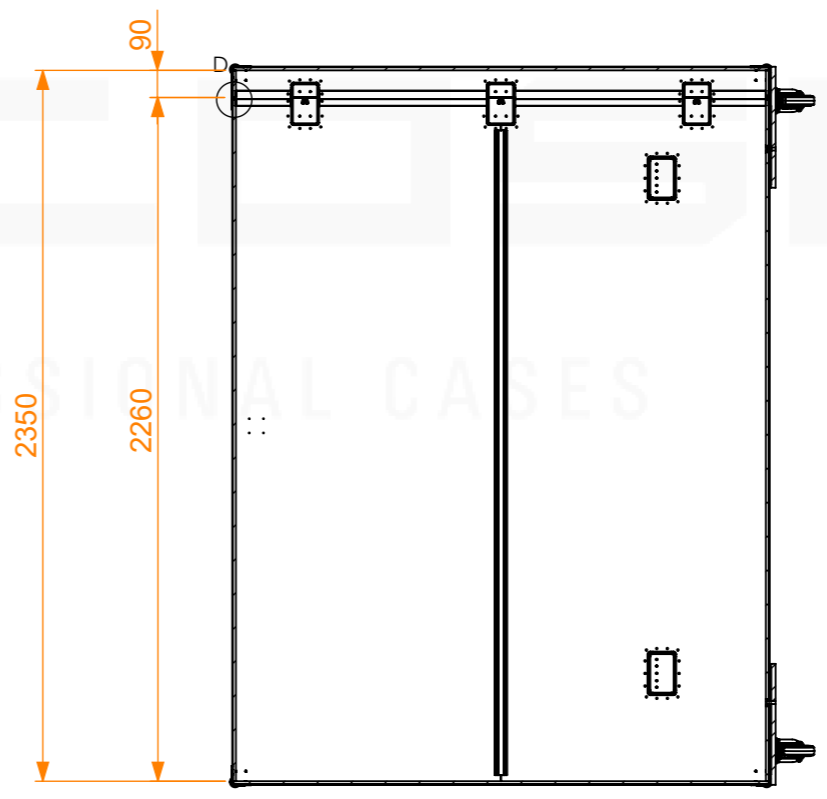
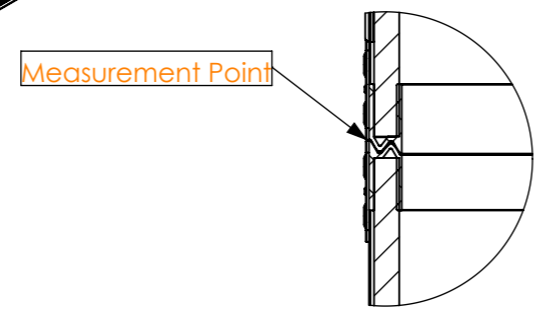
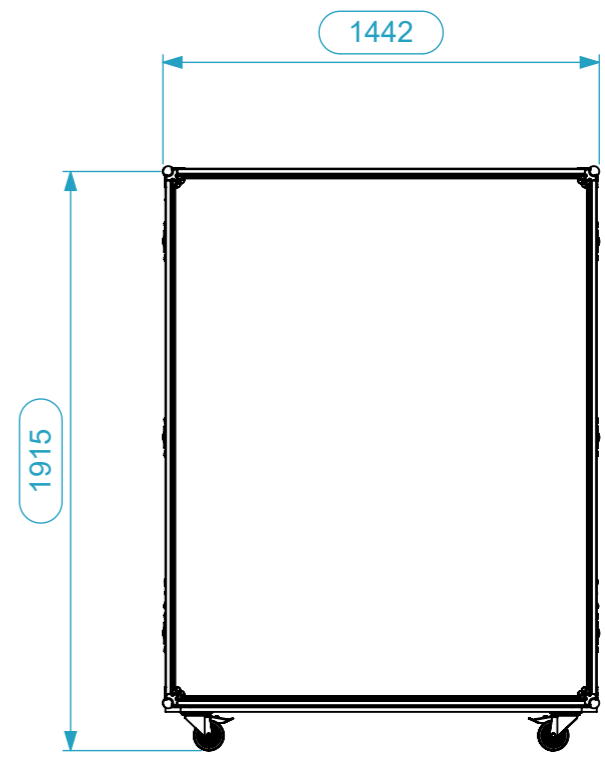
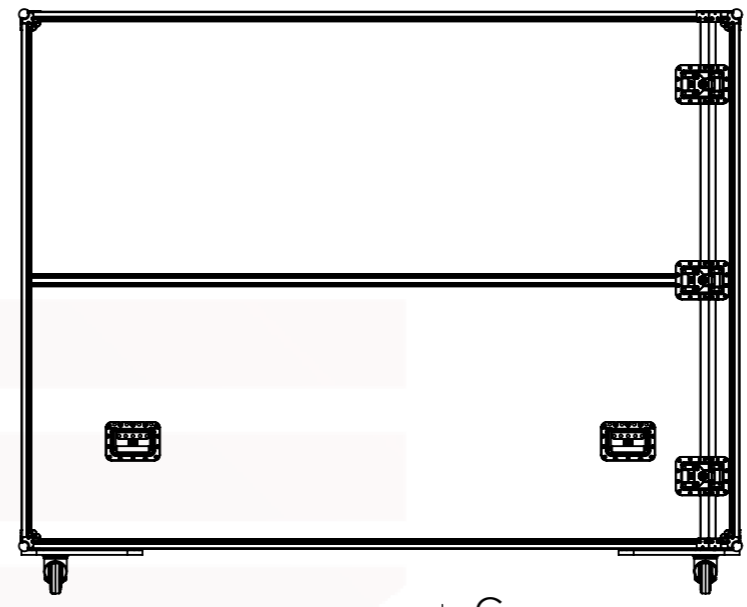
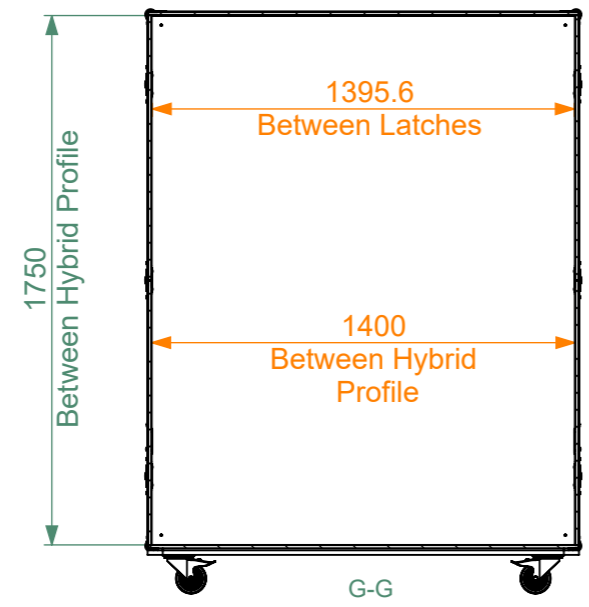


Internal Dimensions		
Width	Depth	Height
1400	2260	1750
Weight	Approx. 171 Kg	
Wall Thickness		10mm



Drawn by	Name	Date
alexandre	alexandre	16-12-2019
Reference	3637.003	
Scale	units in mm	general tolerance
1:25	DO NOT SCALE	0.8mm
FC 2T, Down Prop. W/ 1400, D/ 2260 More Lid'sj, H/ 1750		



This drawing must not be copied or disclosed without consent of the owner



A3