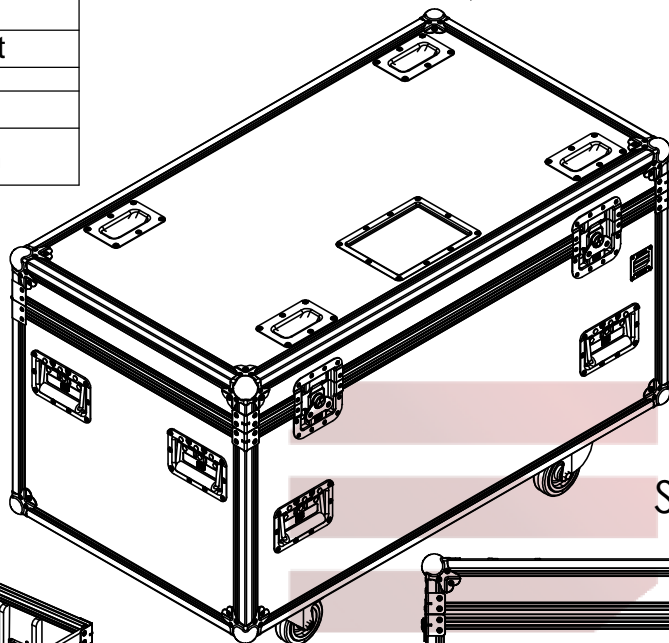
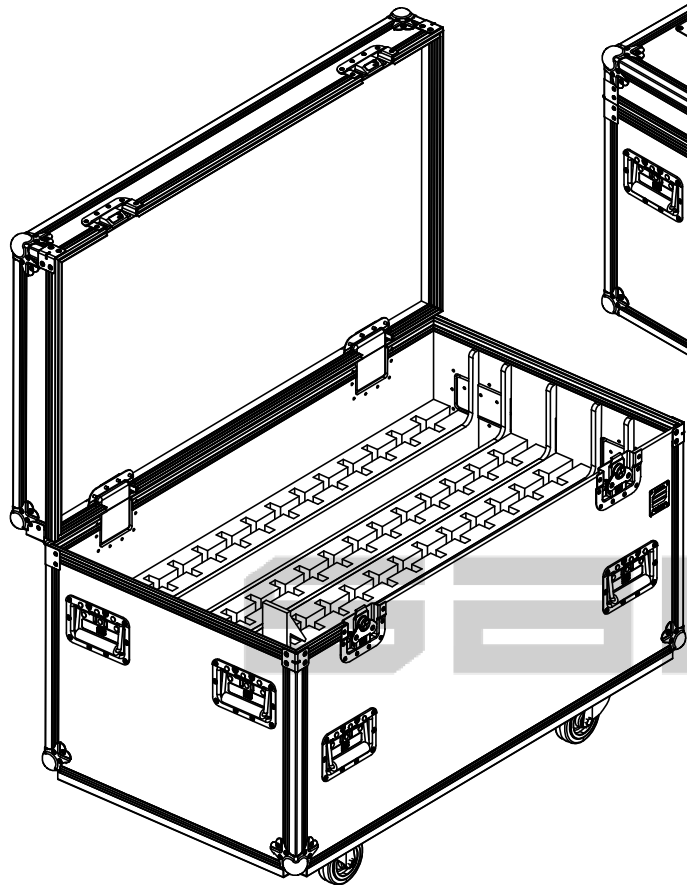


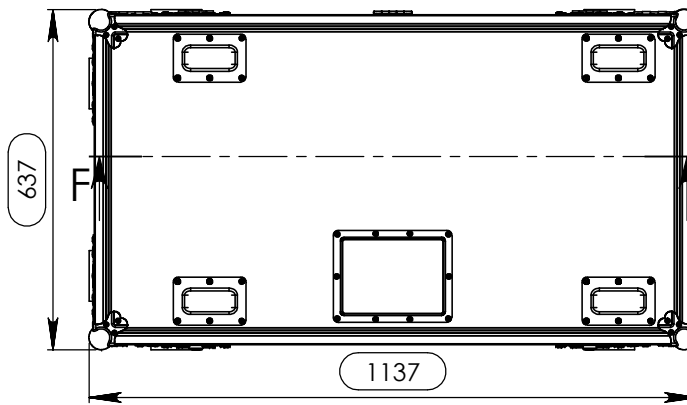
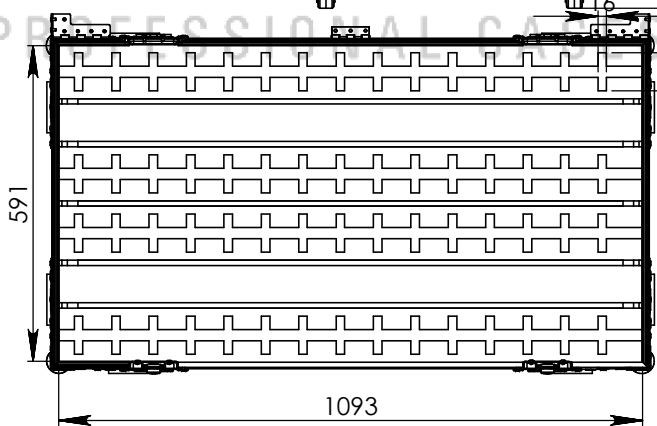
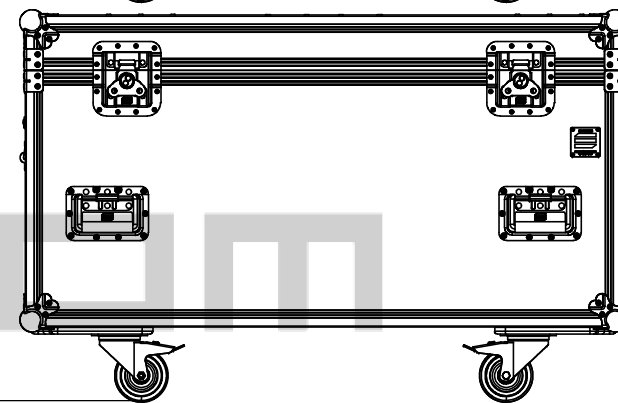
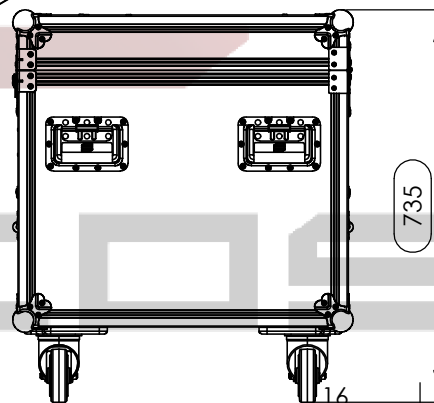
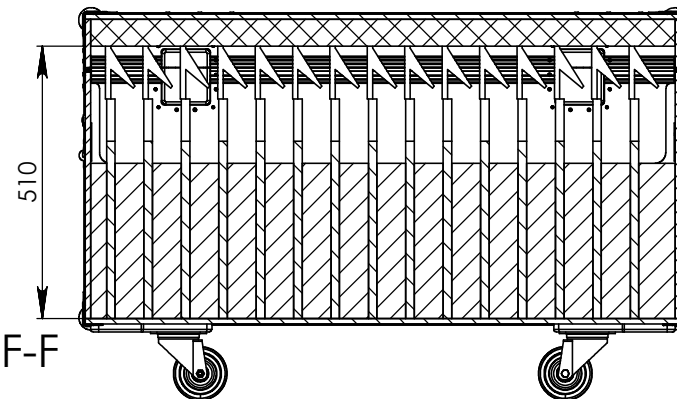
Interior dimensions

Width	Depth	Height
1093	591	510
Weight	Approx. 49 Kg	
Wall Thickness	10mm	

REVISIONS				
ZONE	REV.	DESCRIPTION	DATE	APPROVED
-	0	Final Drawing	06/04/2016	Carlos Rodrigues



SECTION F-F



Hardware

Qty	Ref.	Description
8	410429	Heavy Duty Ball Corner
4	40403	Large corner bracket f. 35mm case angle
1	88001D	Dish for 88001 Tour Label
2	172531	Large butterfly V3 with 'push-back' function
2	27073	Short recessed lidstay cranked
8	34082	Recessed sprung handle medium model
2	DCR110	L-shaped Hinge steel galvanised
1	2602	Medium duty butt hinge z./p.
4	38083	Castor dish deep zinc plated

This drawing must not be copied or disclosed without consent of the owner



Scale
1:10

UNITS IN mm
DO NOT SCALE
general tolerance
0.8mm

Reference
363.100
FC. 40 CASSETAS DE LUZ LED
RATSTANDS

