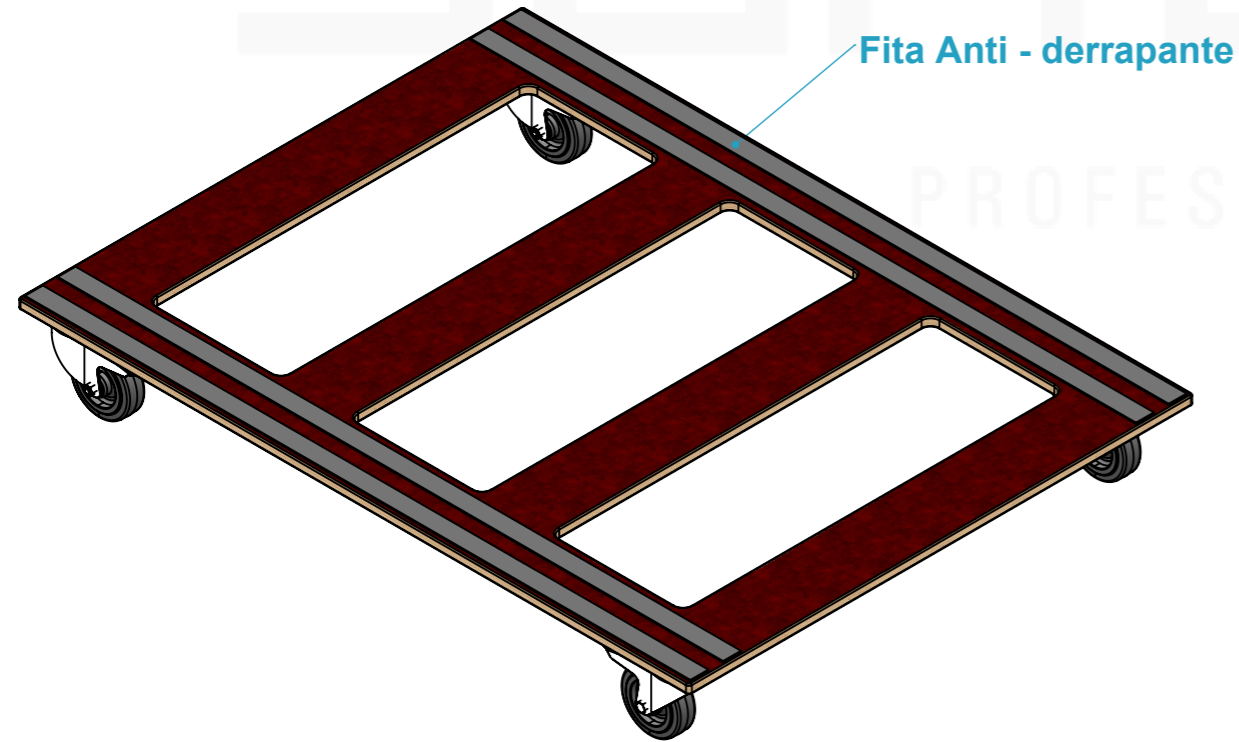
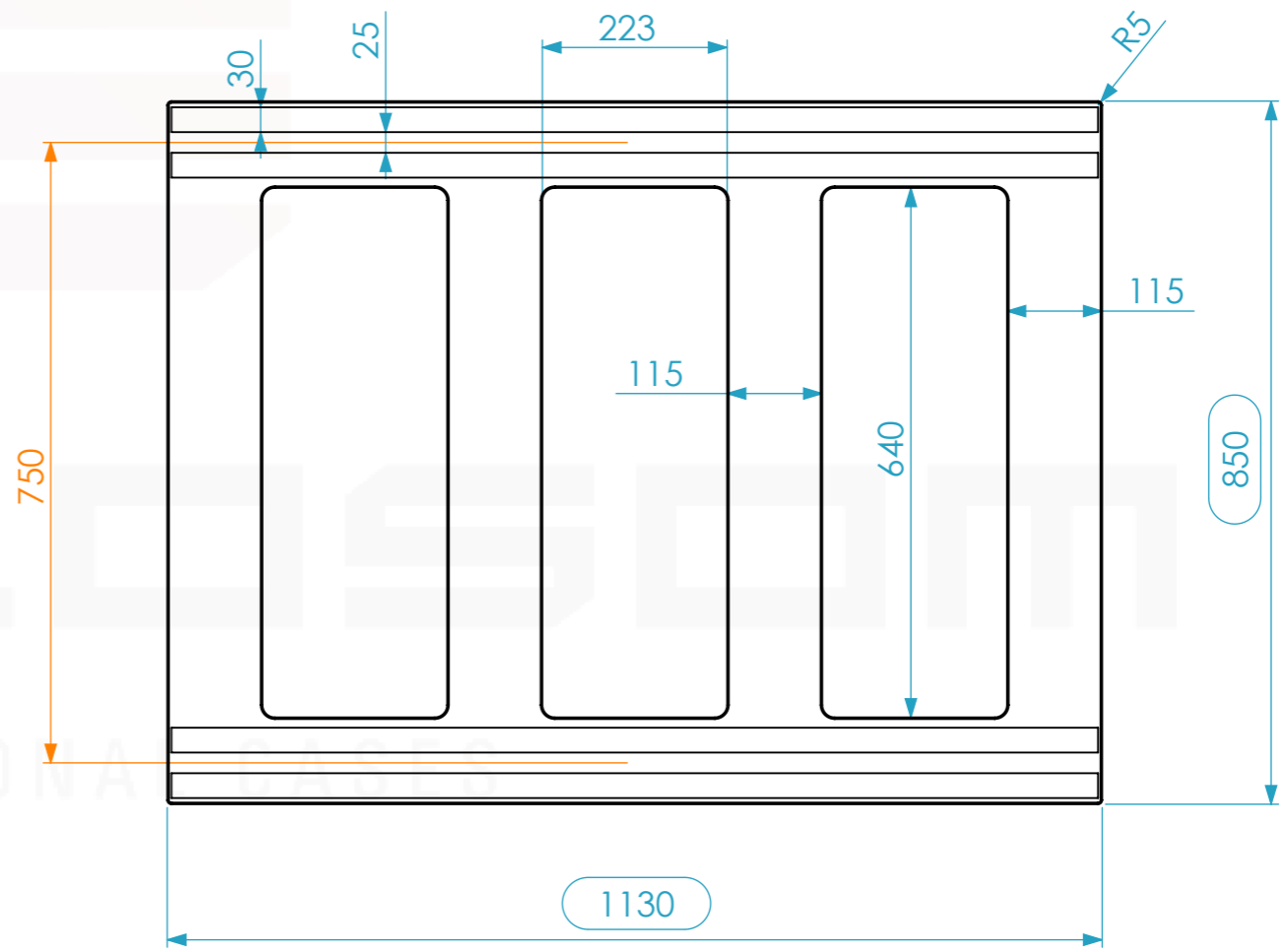
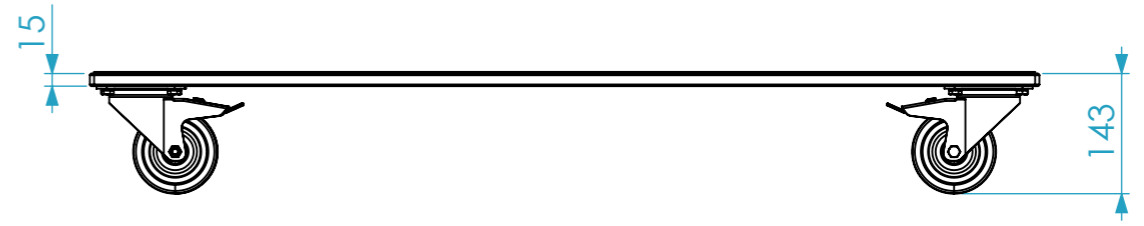


Weight	Approx. 16 Kg
Wall Thickness	15mm



Drawn by	alexandre	Date	30-09-2019
Reference	3507.002A		
Scale	1:9	units in mm	DO NOT SCALE
		general tolerance	0.8mm
Skate para Case de Exposição 1130x850			



This drawing must not be copied or disclosed without consent of the owner



A3