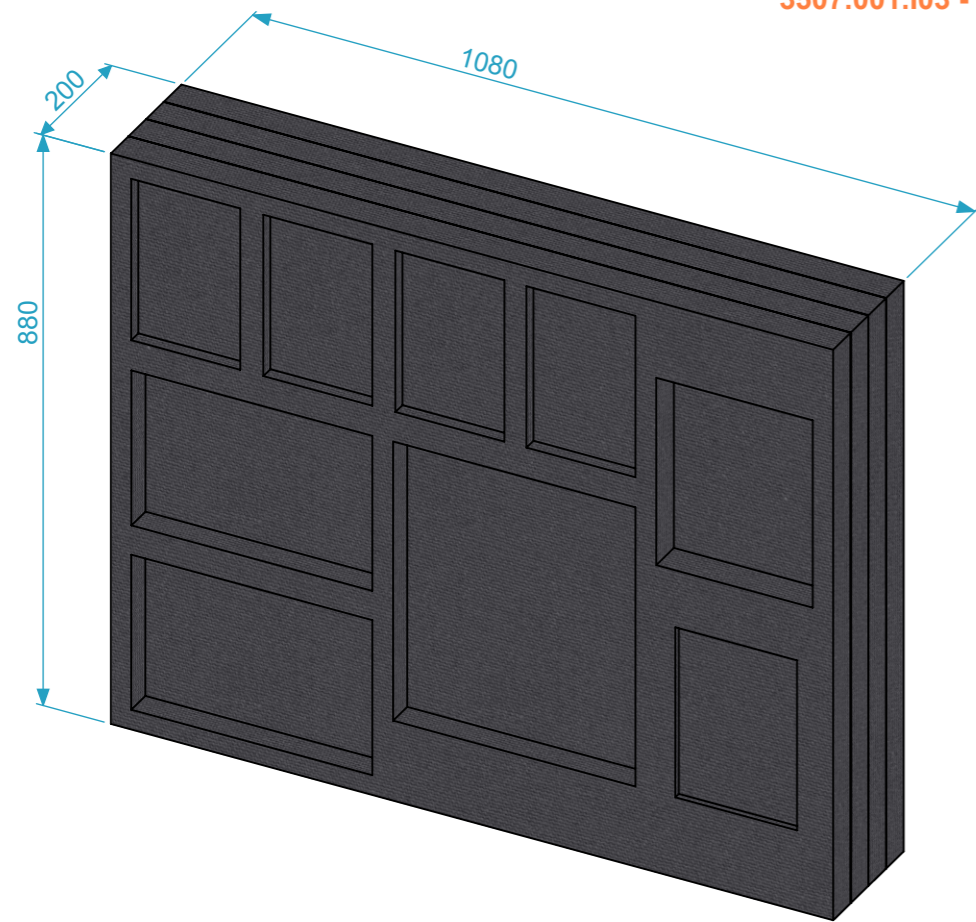
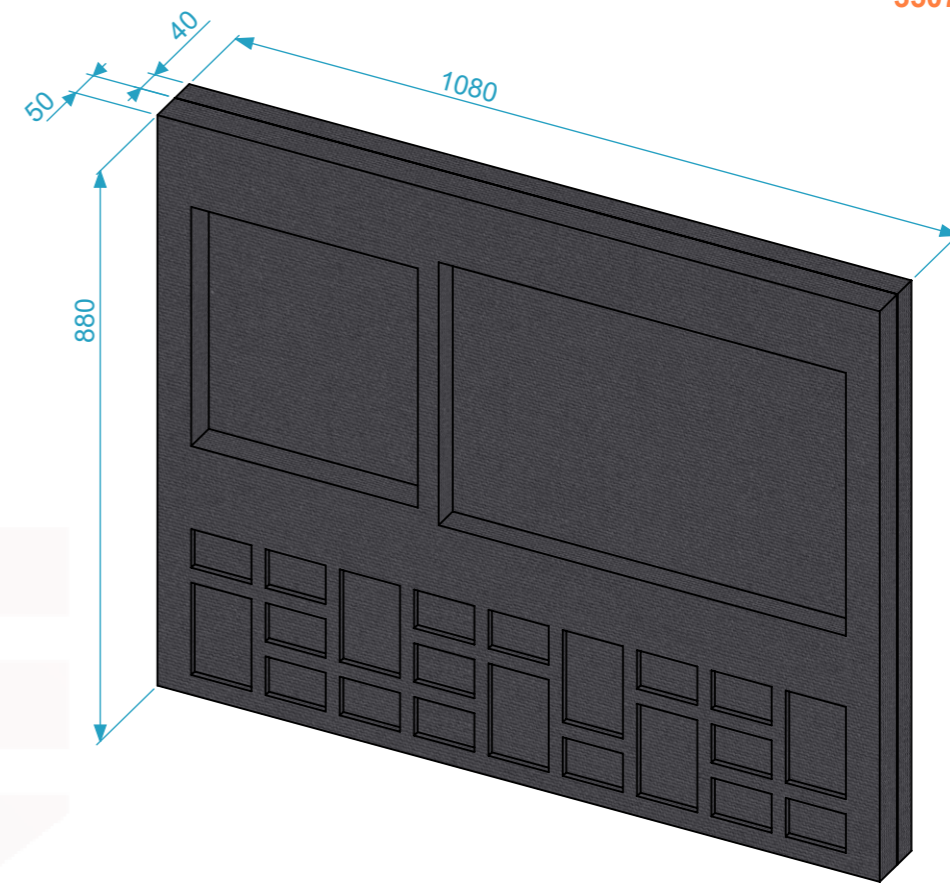


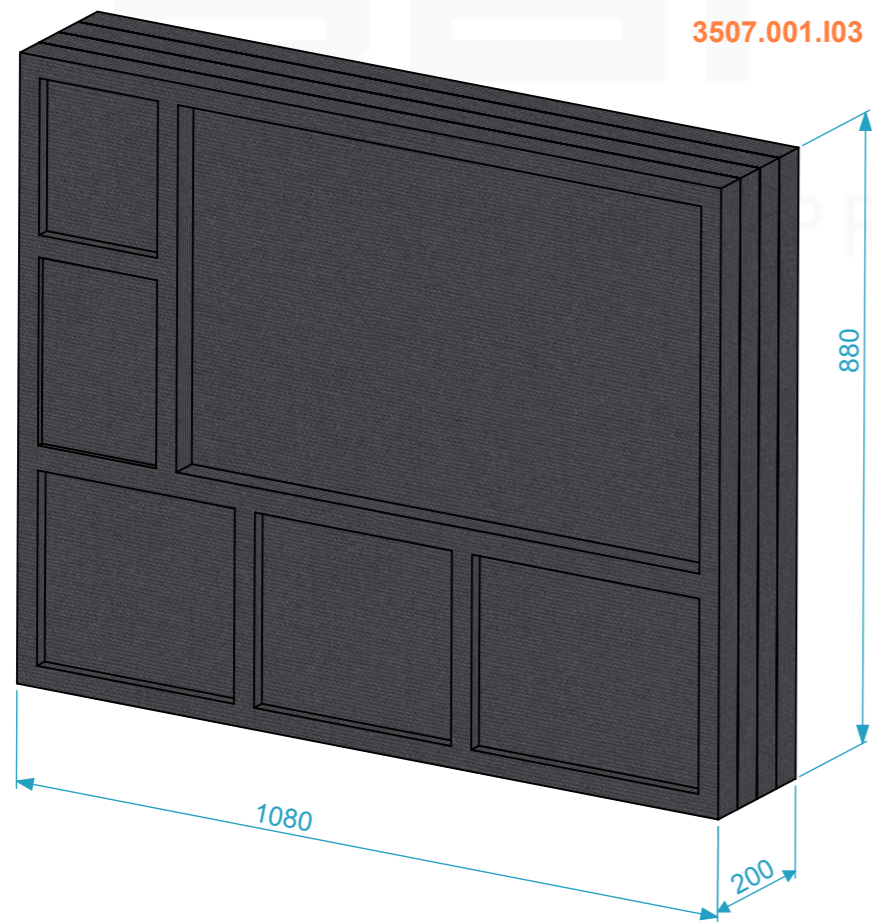
3507.001.I03 - ESPUMA MEIO - LADO 1



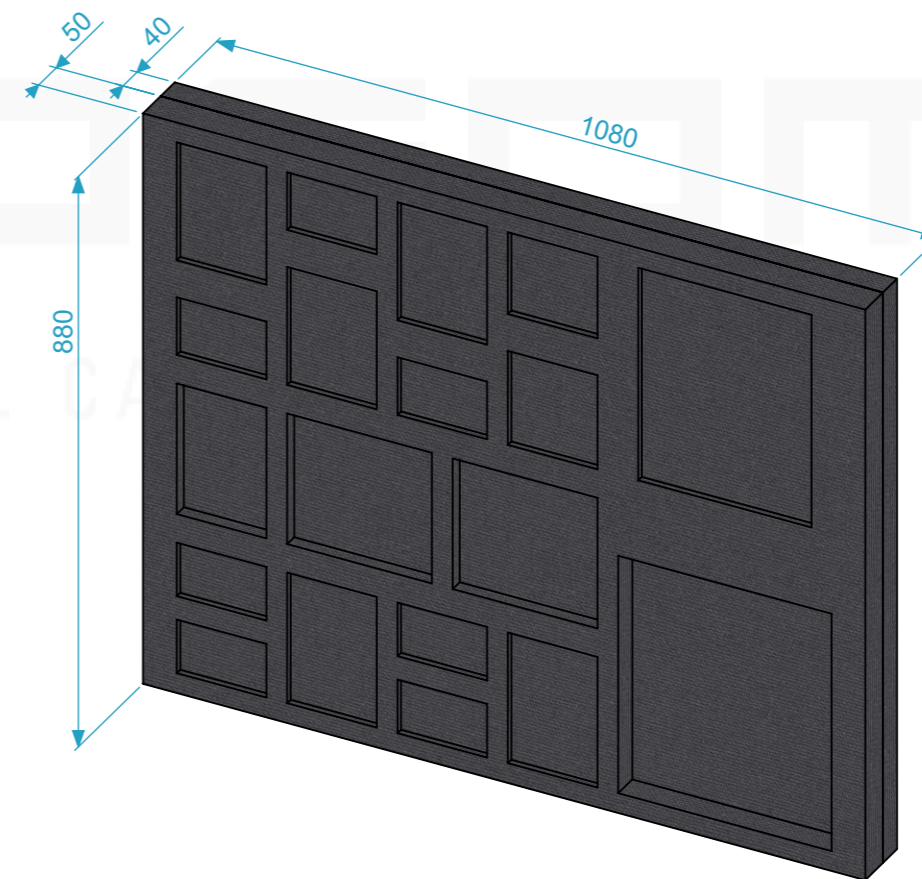
3507.001.I03 - TAMPA FRENTE



3507.001.I03 - ESPUMA MEIO - LADO 2



3507.001.I03 - TAMPA TRÁS



	Name	Date
Drawn by	CarlaSilva	09/09/2019
Reference	3507.001.I03	
Scale	units in mm	general tolerance
1:10	DO NOT SCALE	0.8mm
1st Angle projection	Interior Para FC Expositor 3	



This drawing must not be copied or disclosed without consent of the owner

A3