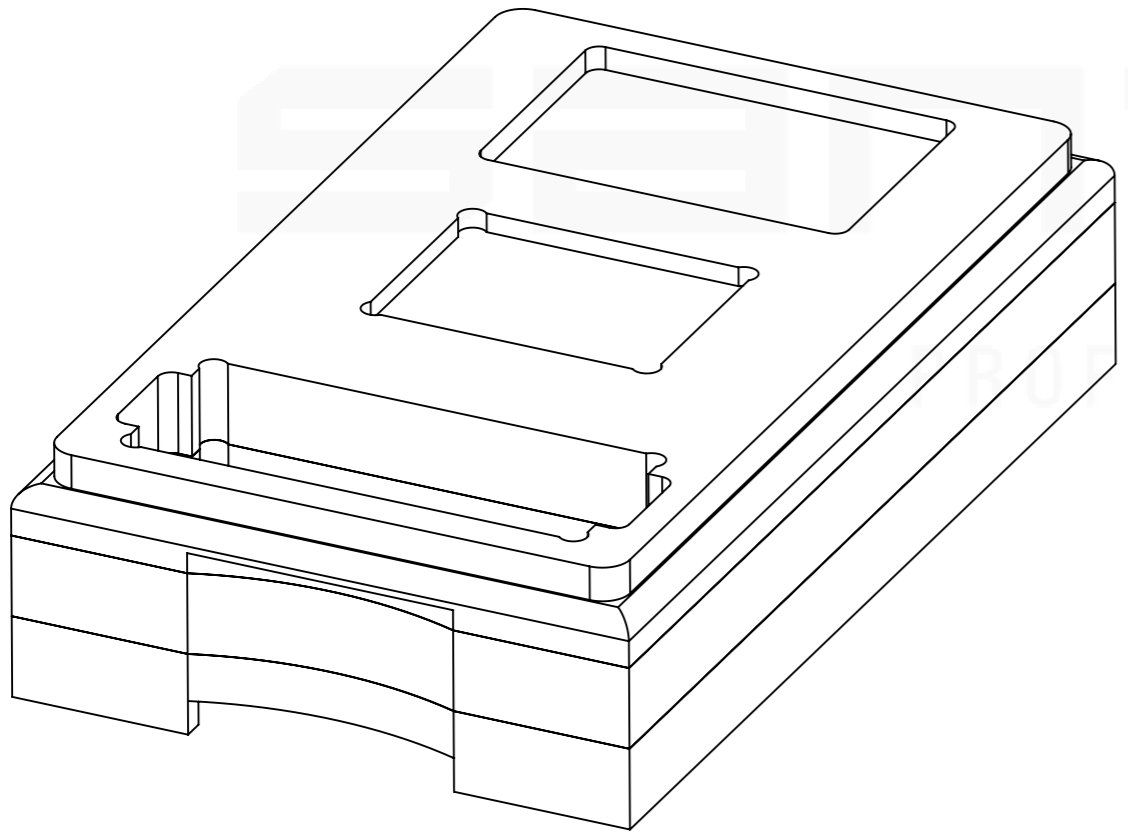
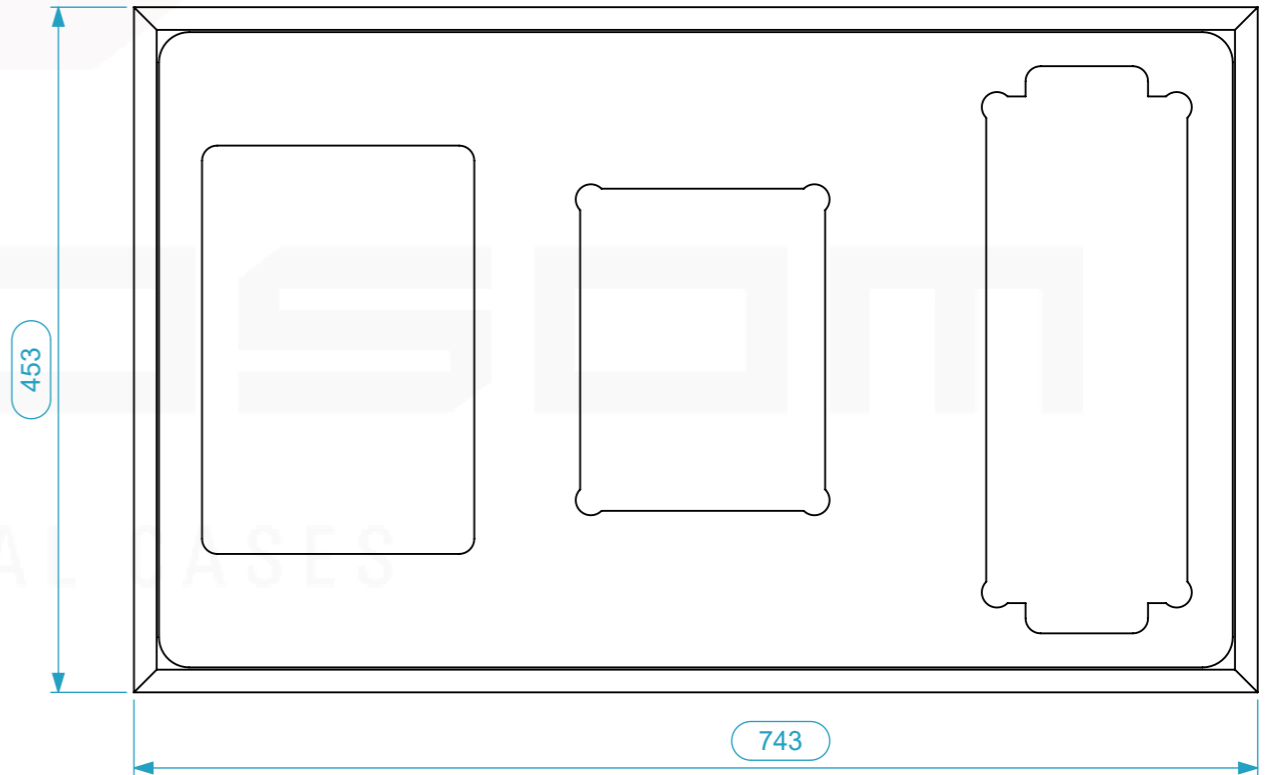
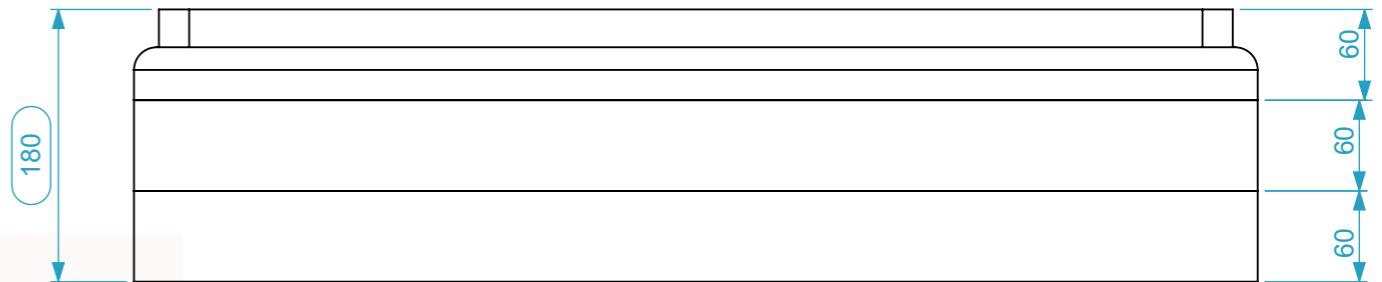


Internal Dimensions		
Width	Depth	Height
453	743	-
Weight	Approx. 1.03 Kg	
Wall Thickness		180mm



General External Dimensions	
W	Width
D	Depth
H	Height

Name	Date
CarlaSilva	13/04/2021
Reference	3429.003
Scale	1:5
units in mm	general tolerance 0.8mm
EHD 33, Dom Pérignon, Top (750x460x180mm)	



This drawing must not be copied or disclosed without consent of the owner



A3