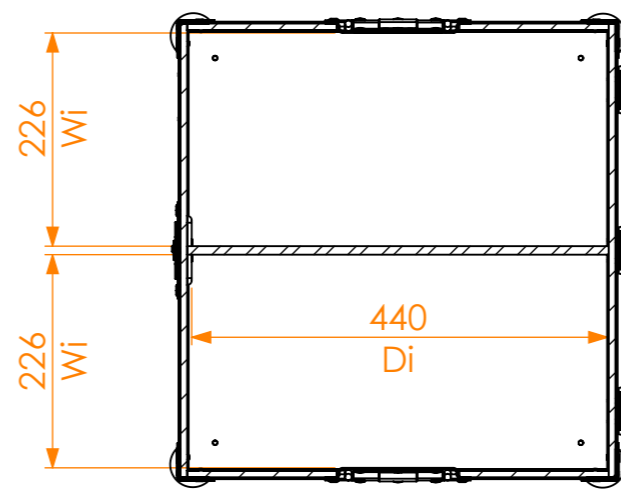
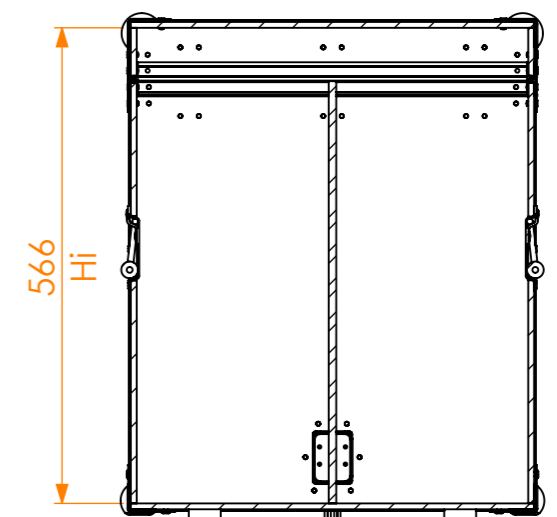


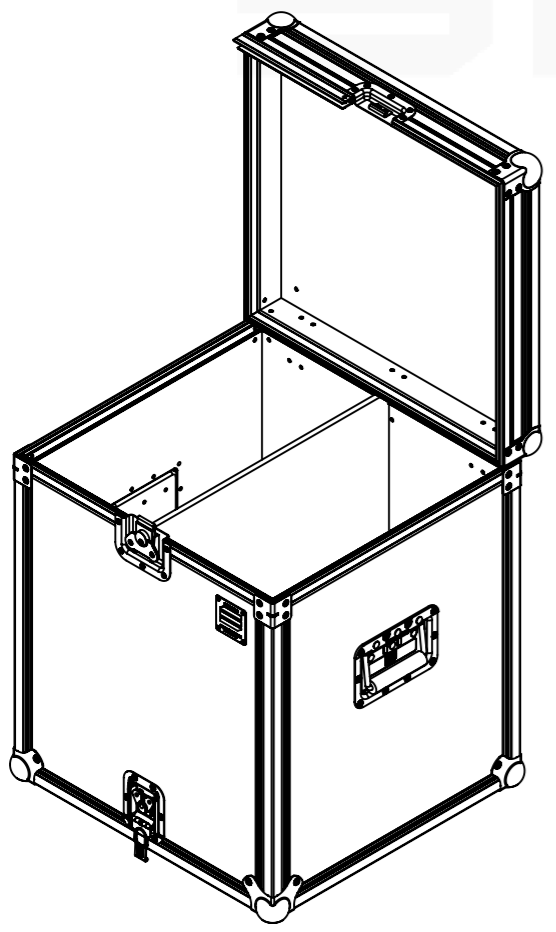
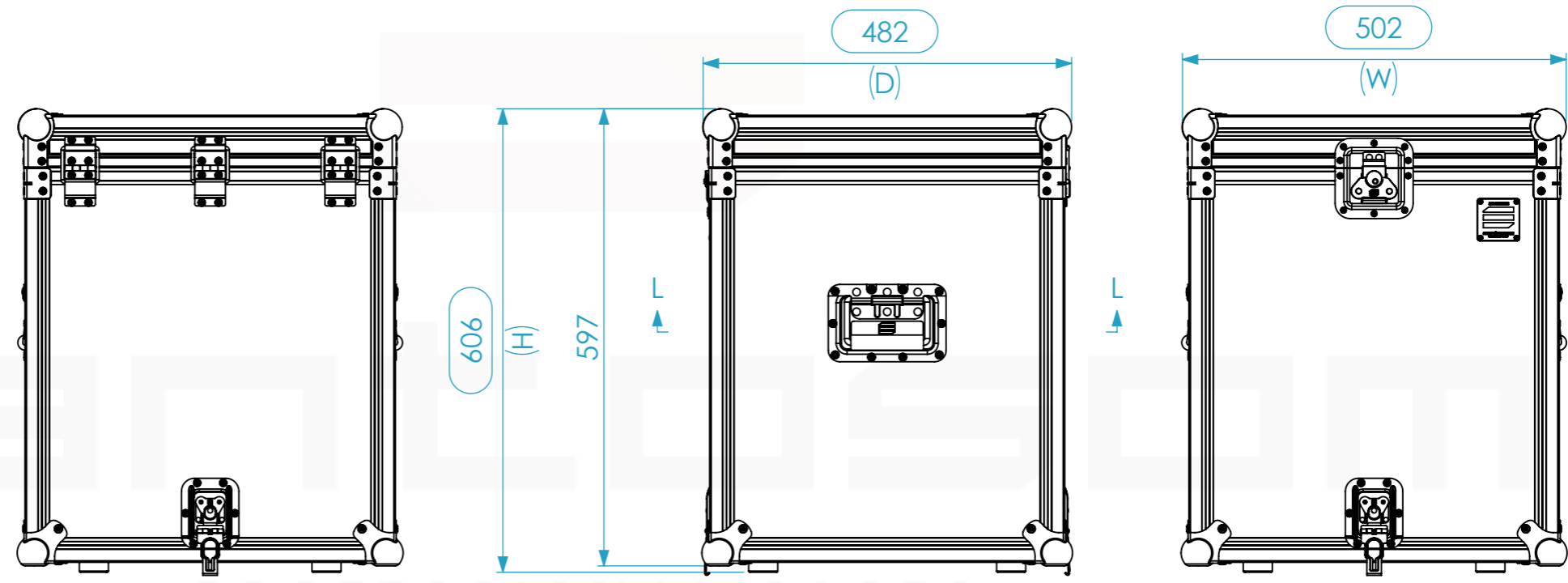
Internal Dimensions		
Width	Depth	Height
463	443	566
Weight	Approx. 9 Kg	
Wall Thickness		7mm



L-L
SCALE 1 : 8



G-G



A3

This drawing must not be copied or disclosed without consent of the owner

Drawn by	Name	Date
projects		17/11/2021
Reference	3376.001	
Scale	units in mm	general tolerance
1:9	DO NOT SCALE	0.8mm
Trunk M1AA.0504860		

