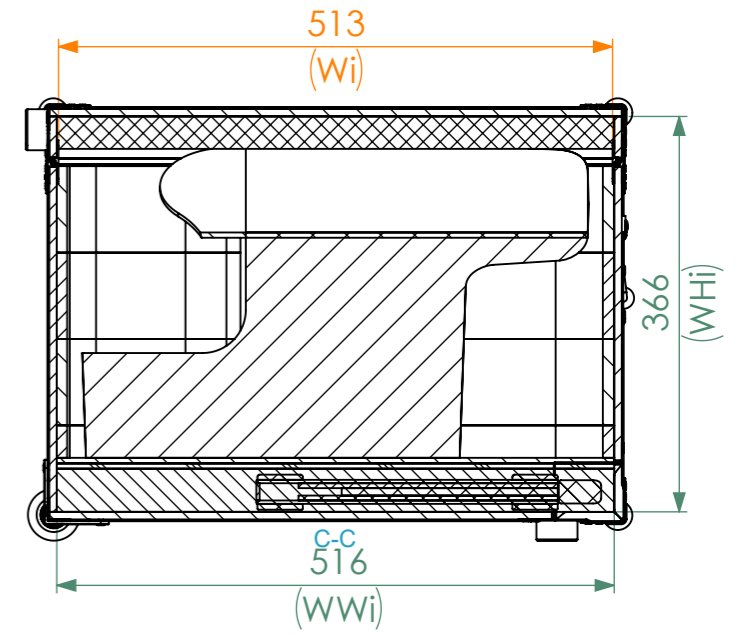
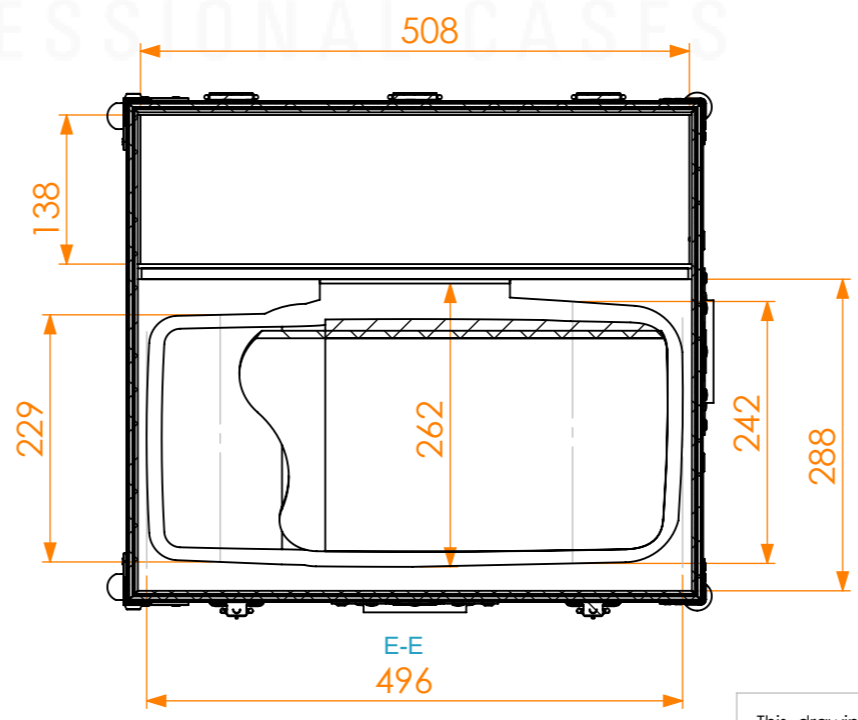
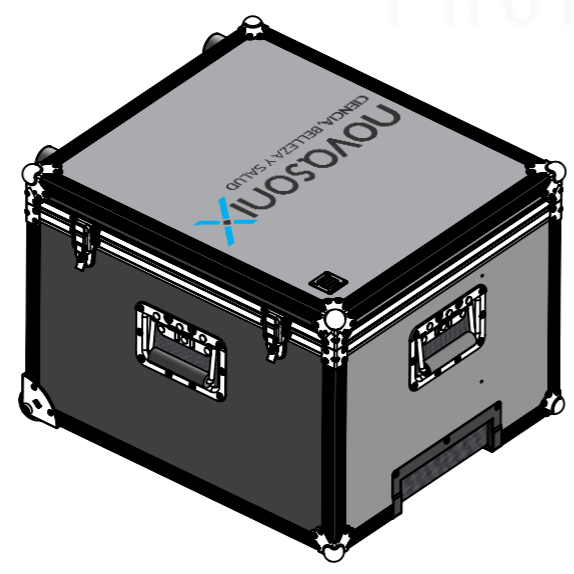
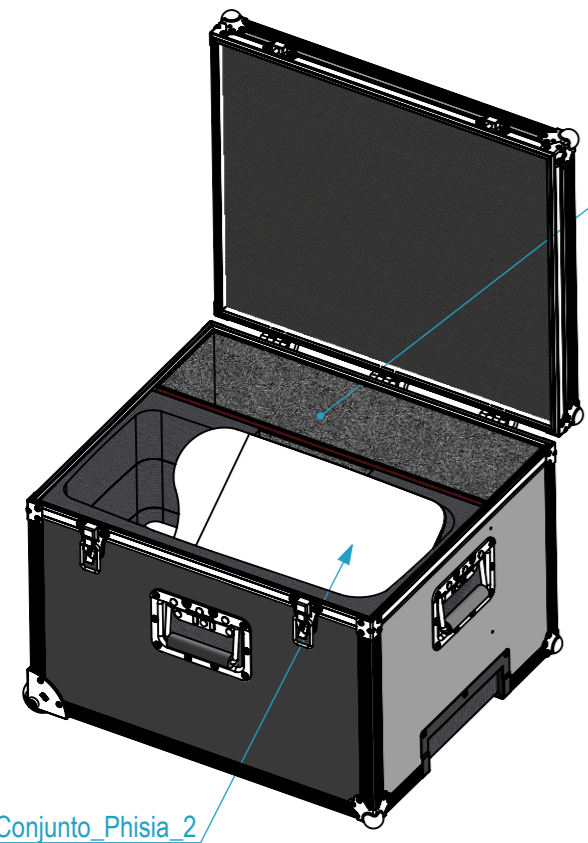
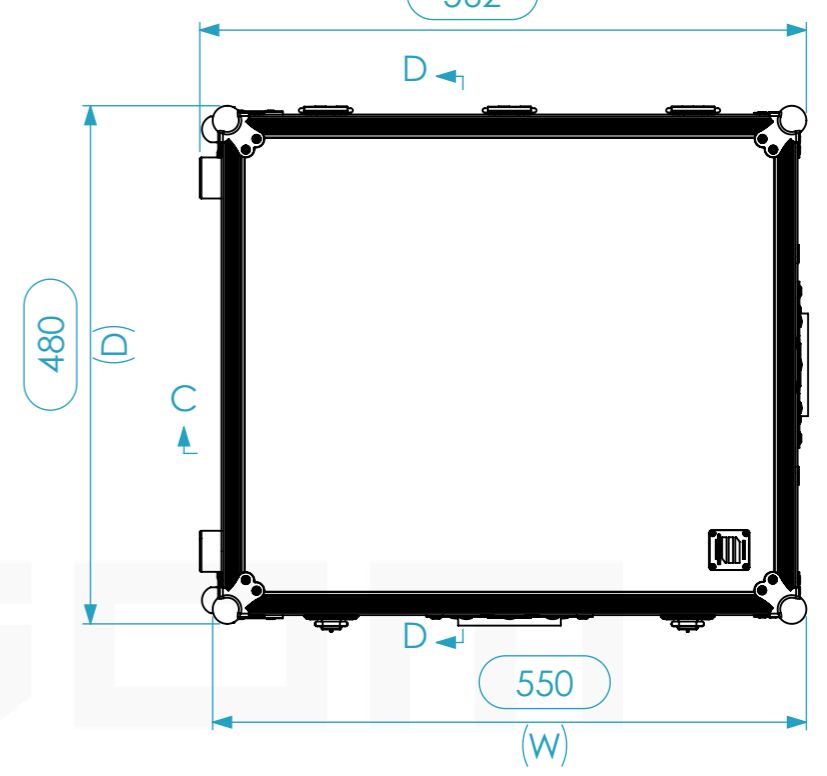
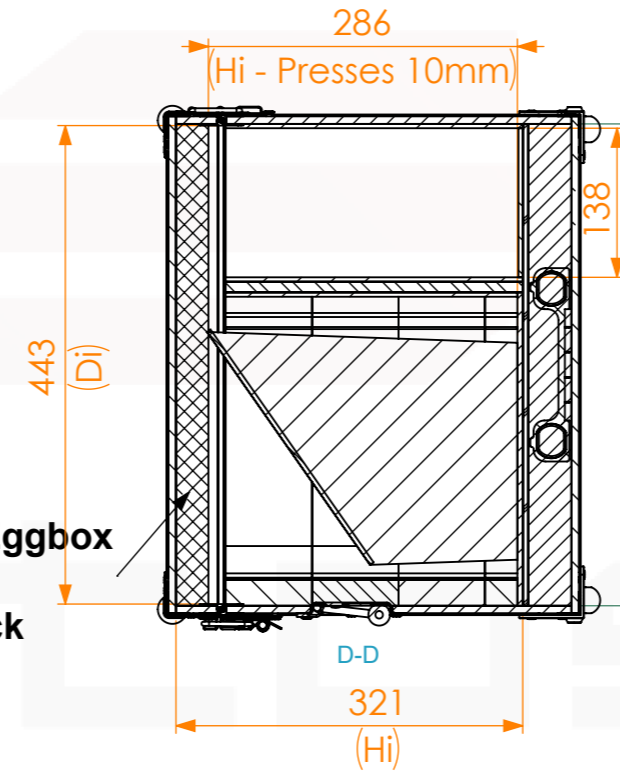
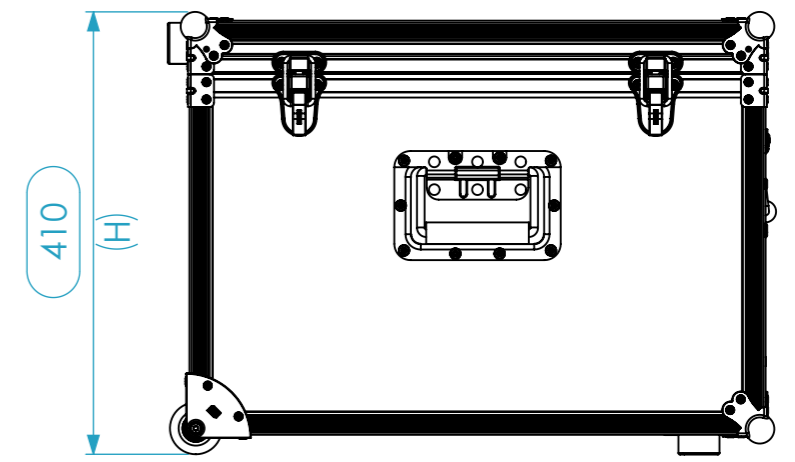
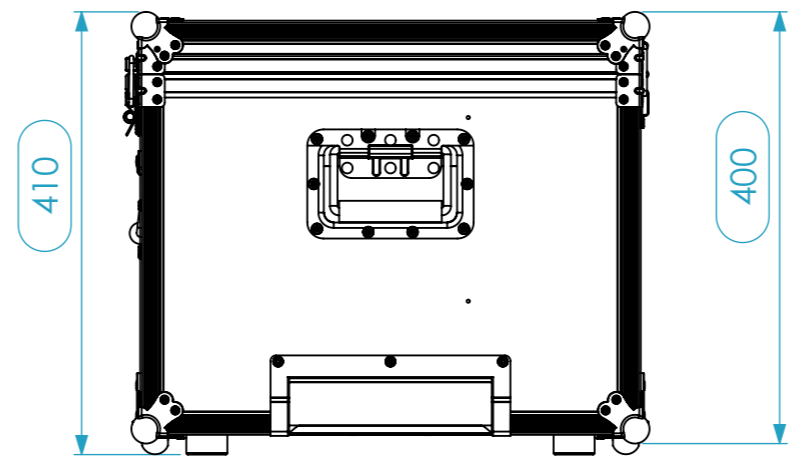
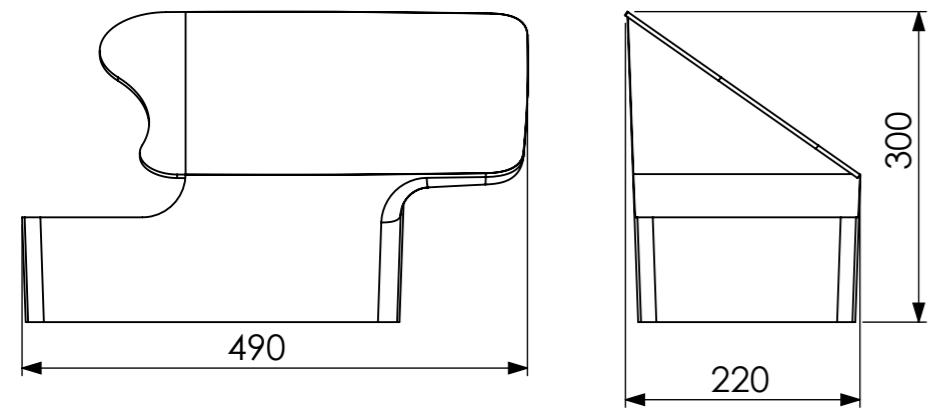


Equipment			Conjunto Phisia_2		
Width	Depth	Height			
490	220	300			
Internal Dimensions					
Width	Depth	Height			
513	443	321			
Weight	Weight: 9Kg				
Wall Thickness	7mm				



General External Dimensions		Usable Inner Dimensions		Wood Inner Dimensions	
W	Width	Wi	Inside Width	WWi	Wood Inside Width
D	Depth	Di	Inside Depth	WDi	Wood Inside Depth
H	Height	Hi	Inside Height	WHi	Wood Inside Height

This drawing must not be copied or disclosed without consent of the owner

Name	Date
Drawn by	CatarinaHenriques 15/03/2019
Reference	3269.001
Scale	1:7
units in mm	general tolerance 0.8mm
DO NOT SCALE	
BRIEFCASE S1R 55.48.40 (51X46X36 WID)	
P/ CONJUNTO PHISIA_2	



A3