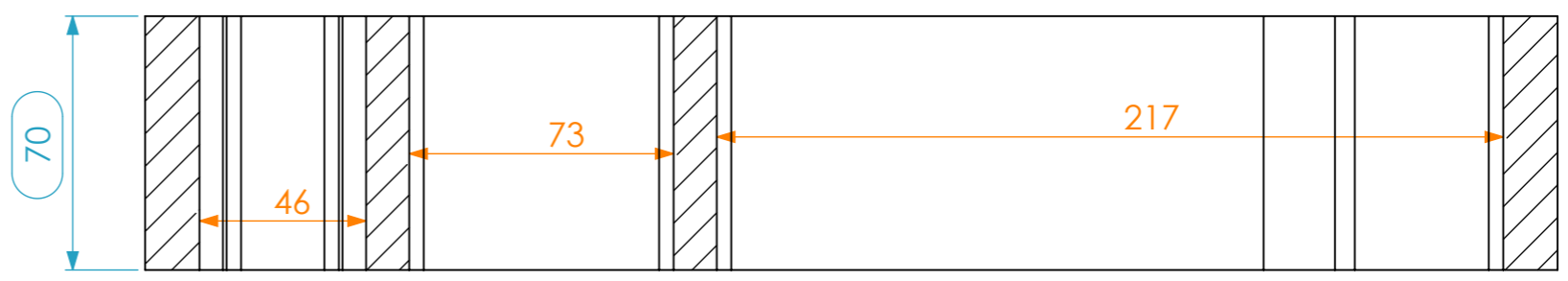
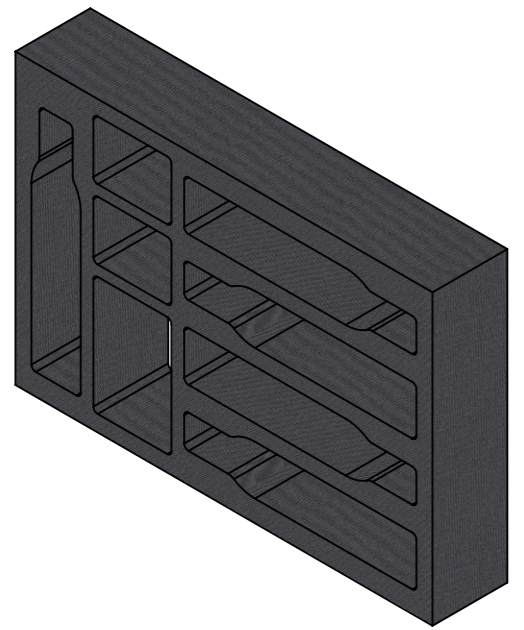
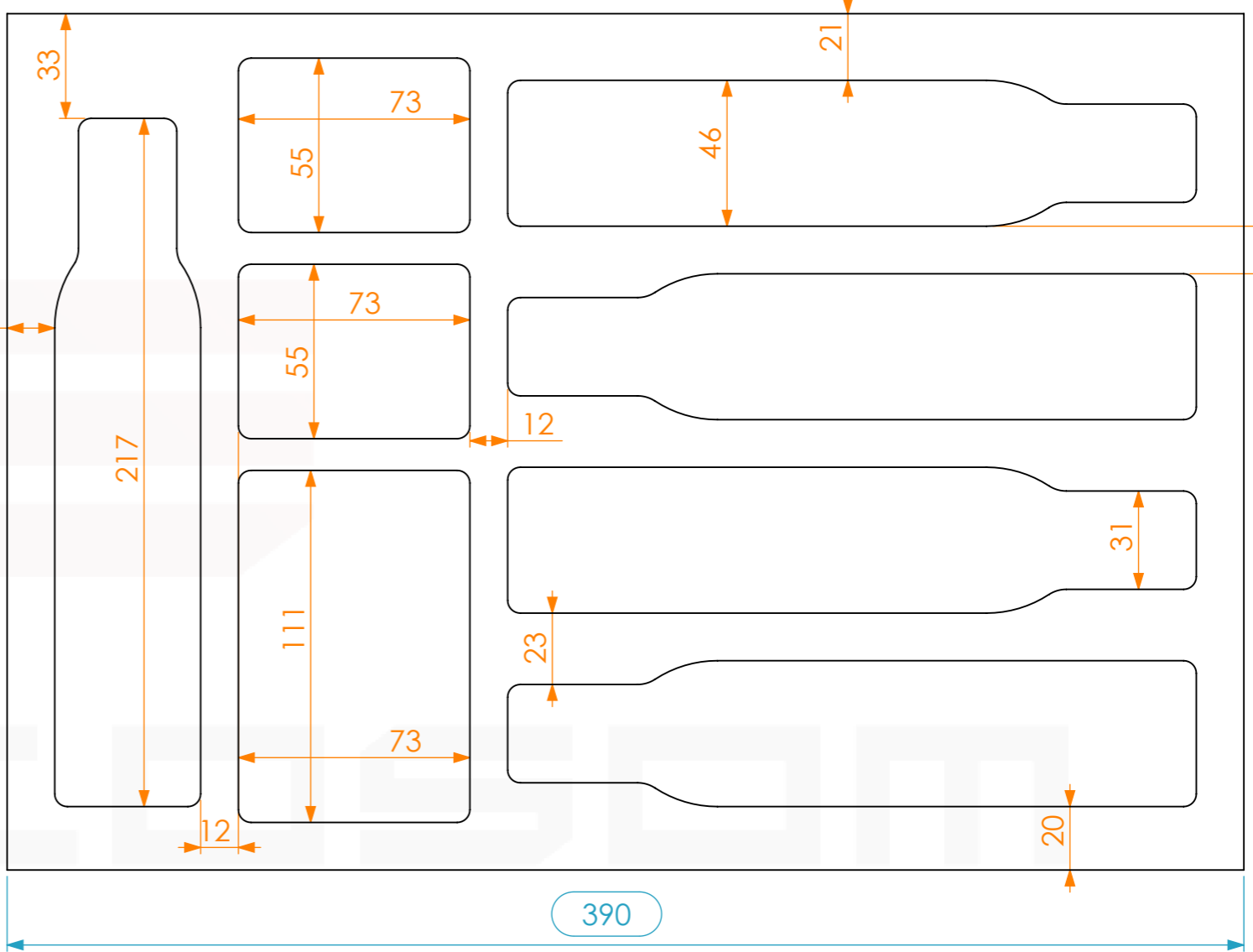
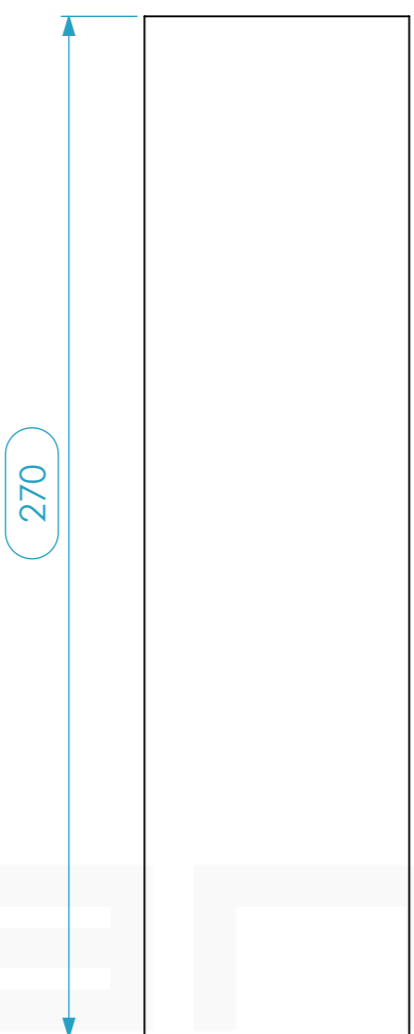


Internal Dimensions		
Width	Depth	Height
390	270	
Weight	Approx. Kg	
Wall Thickness		70mm



SECTION A-A

A3 This drawing must not be copied or disclosed without consent of the owner

Drawn by	Name	Date
CatarinaHenriques		10/09/2018
Reference	000000	
Scale	units in mm	general tolerance
1:2	DO NOT SCALE	0.8mm
000000		
H36 355MMX345MMXH90MM		

