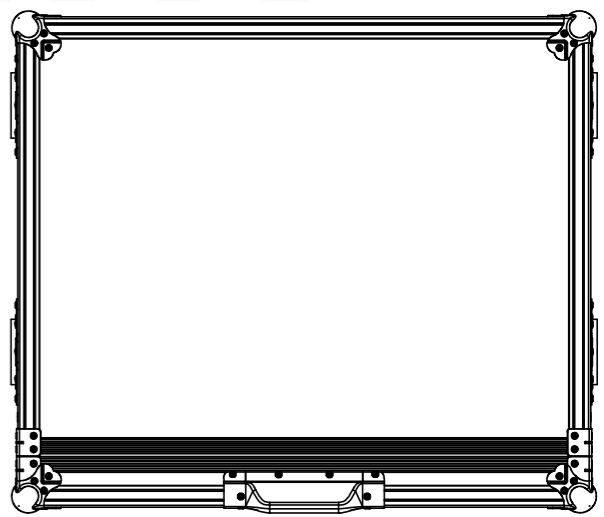
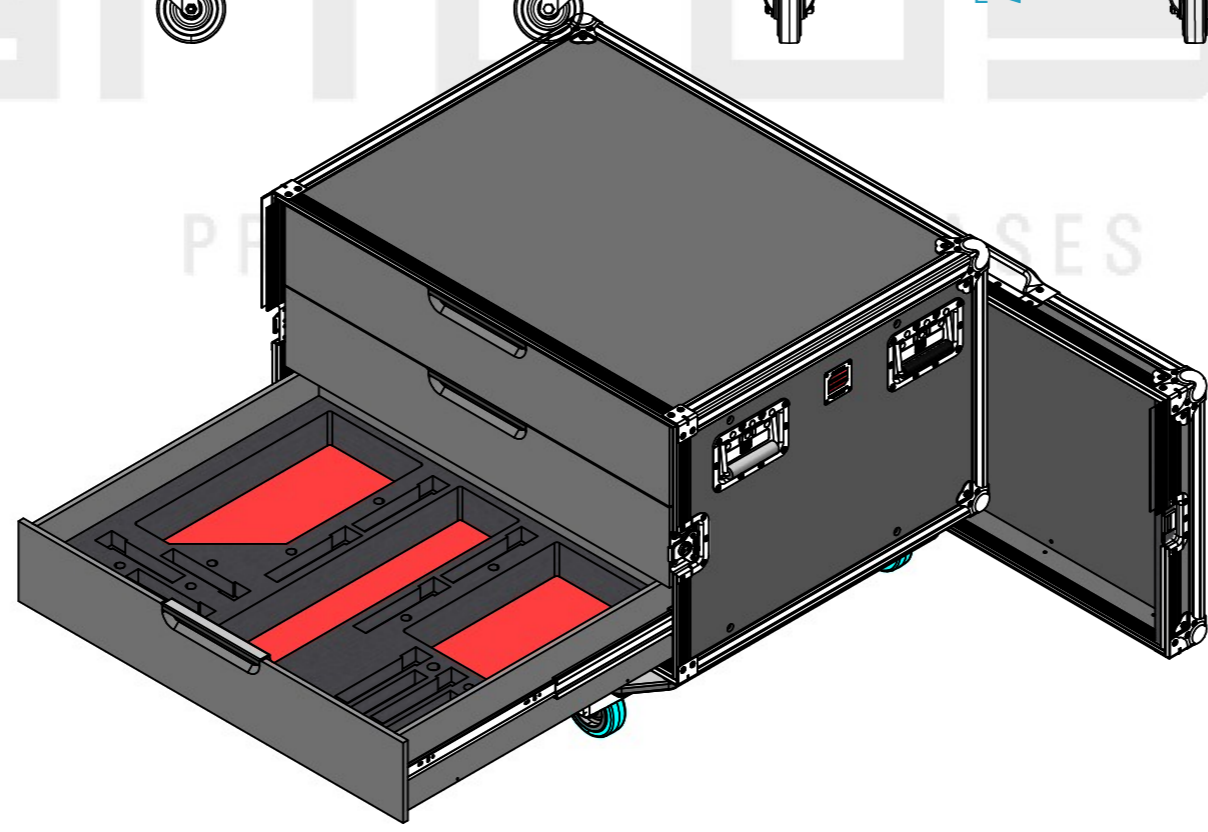
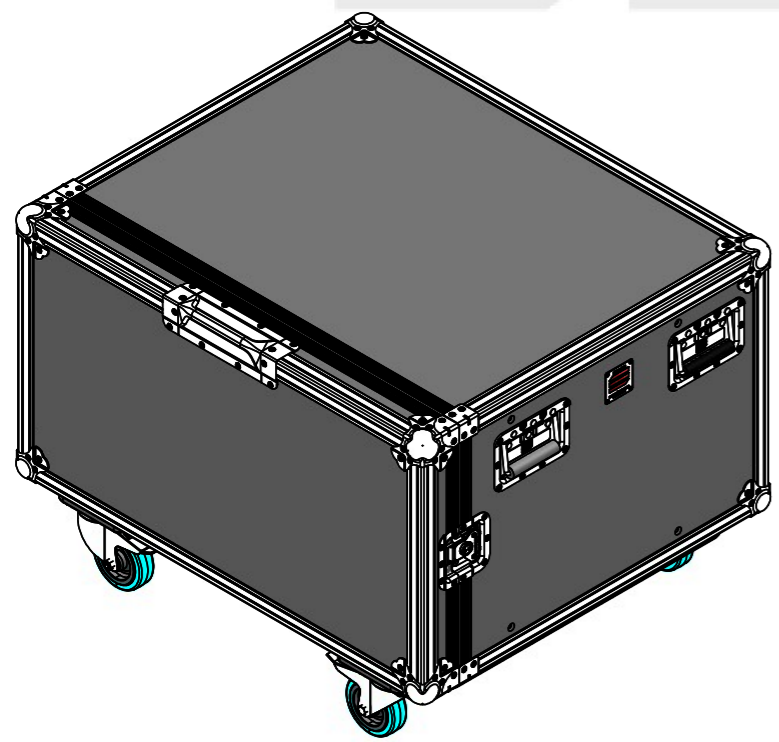
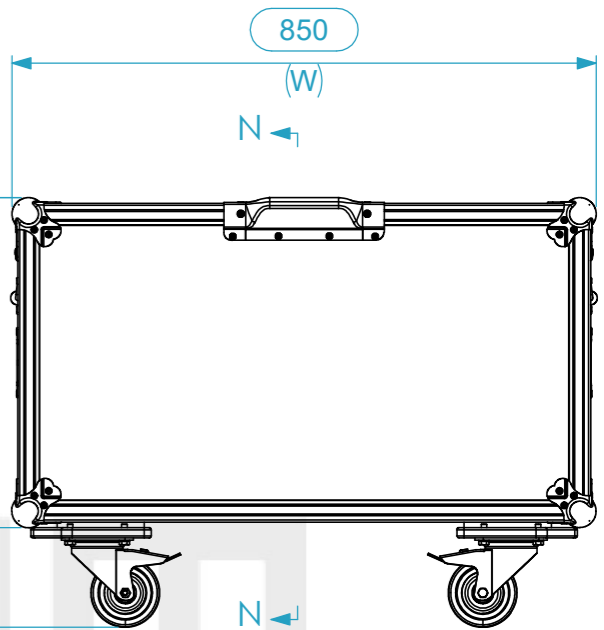
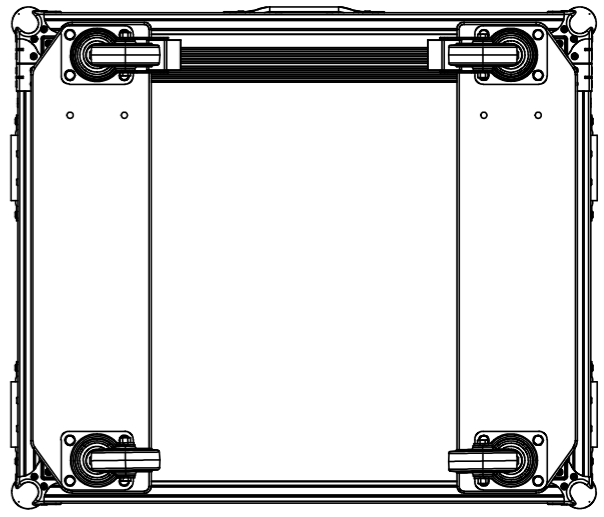
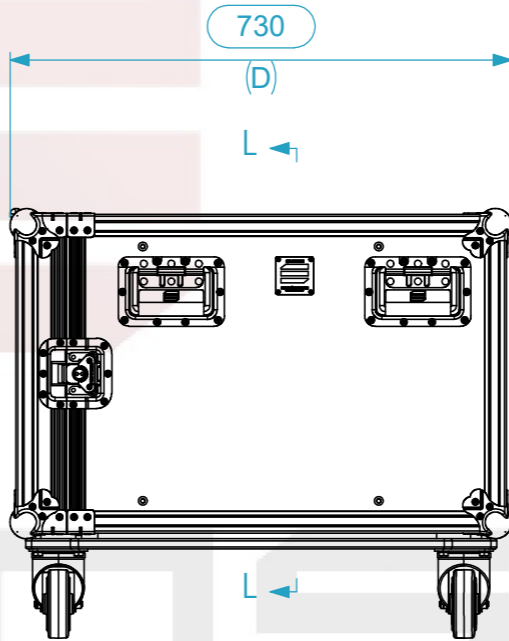
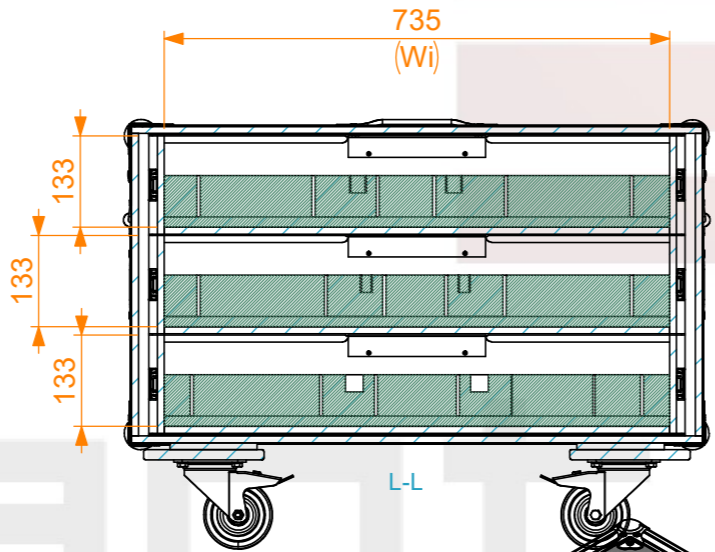
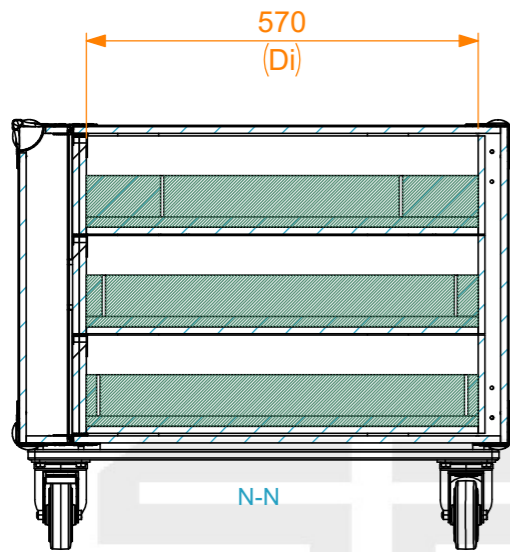


Internal Dimensions		
Width	Depth	Height
735	570	133
FC Weight	Approx. 56.0 Kg	
Wall Thickness	10mm	



General External Dimensions		Usable Inner Dimensions	
W	Width	Wi	Inside Width
D	Depth	Di	Inside Depth
H	Height	Hi	Inside Height

A3 This drawing must not be copied or disclosed without consent of the owner

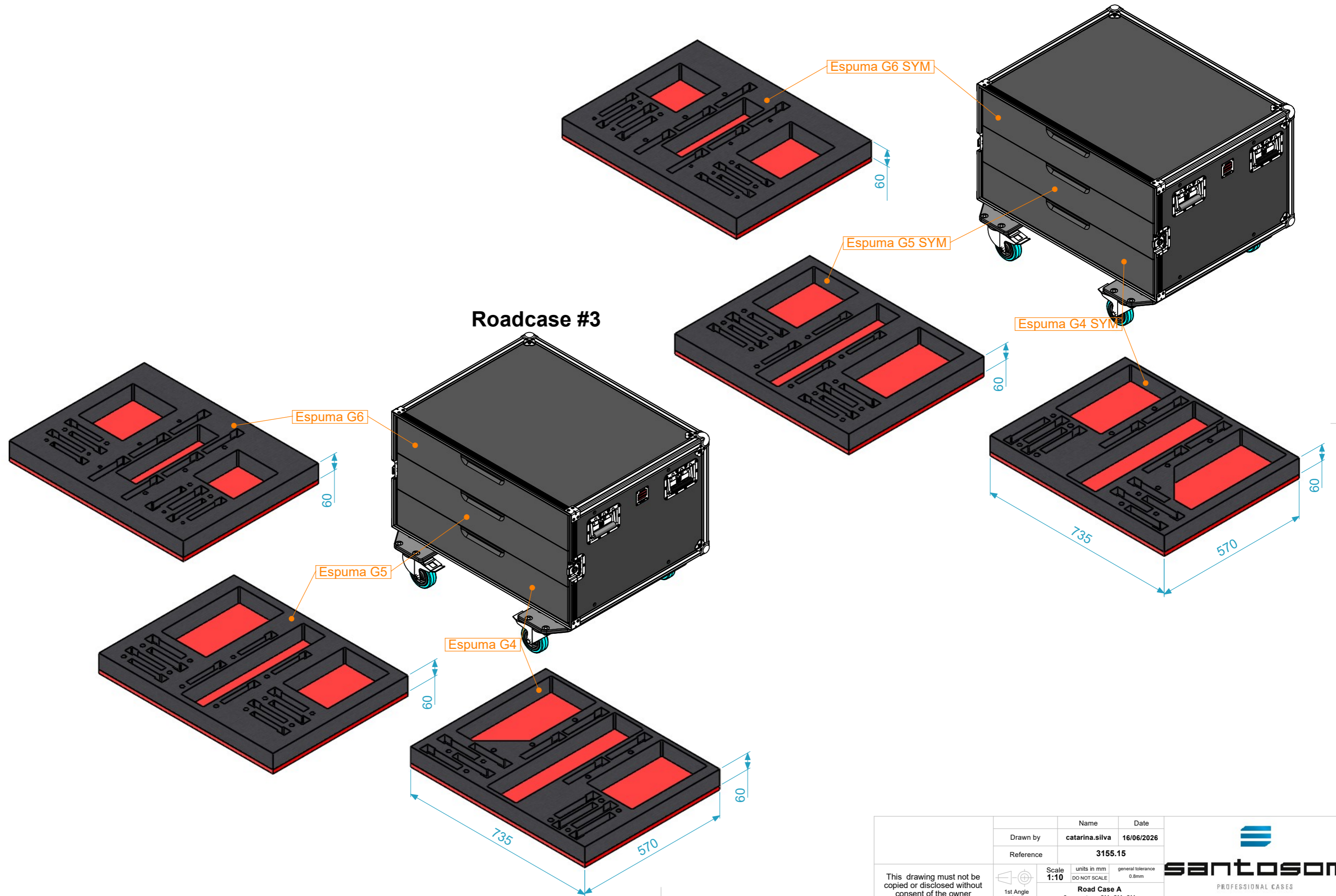
Drawn by	Name	Date
catarina.silva	catarina.silva	16/06/2026
Reference	3155.15	
Scale	units in mm	general tolerance
1:11	DO NOT SCALE	0.8mm
Road Case A 3 gavetas: 2U, 2U, 2U		



POSIÇÃO ESPUMAS

Roadcase #4

Roadcase #3



This drawing must not be copied or disclosed without consent of the owner	Drawn by	Name	Date
	Reference	catarina.silva	16/06/2026
1st Angle projection	Scale	3155.15	
	units in mm	DO NOT SCALE	
Road Case A		general tolerance	0.8mm
3 gavetas: 2U, 2U, 2U		santosom	
		PROFESSIONAL CASES	