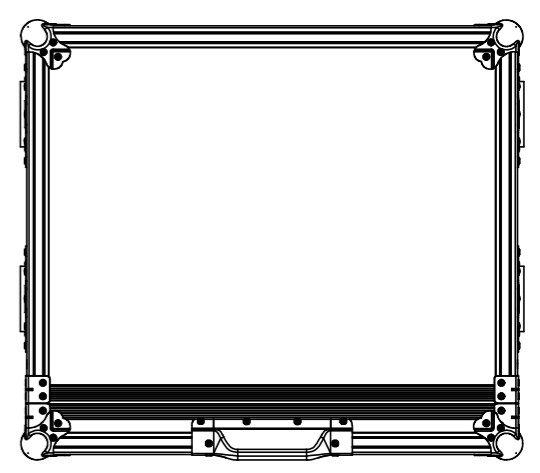
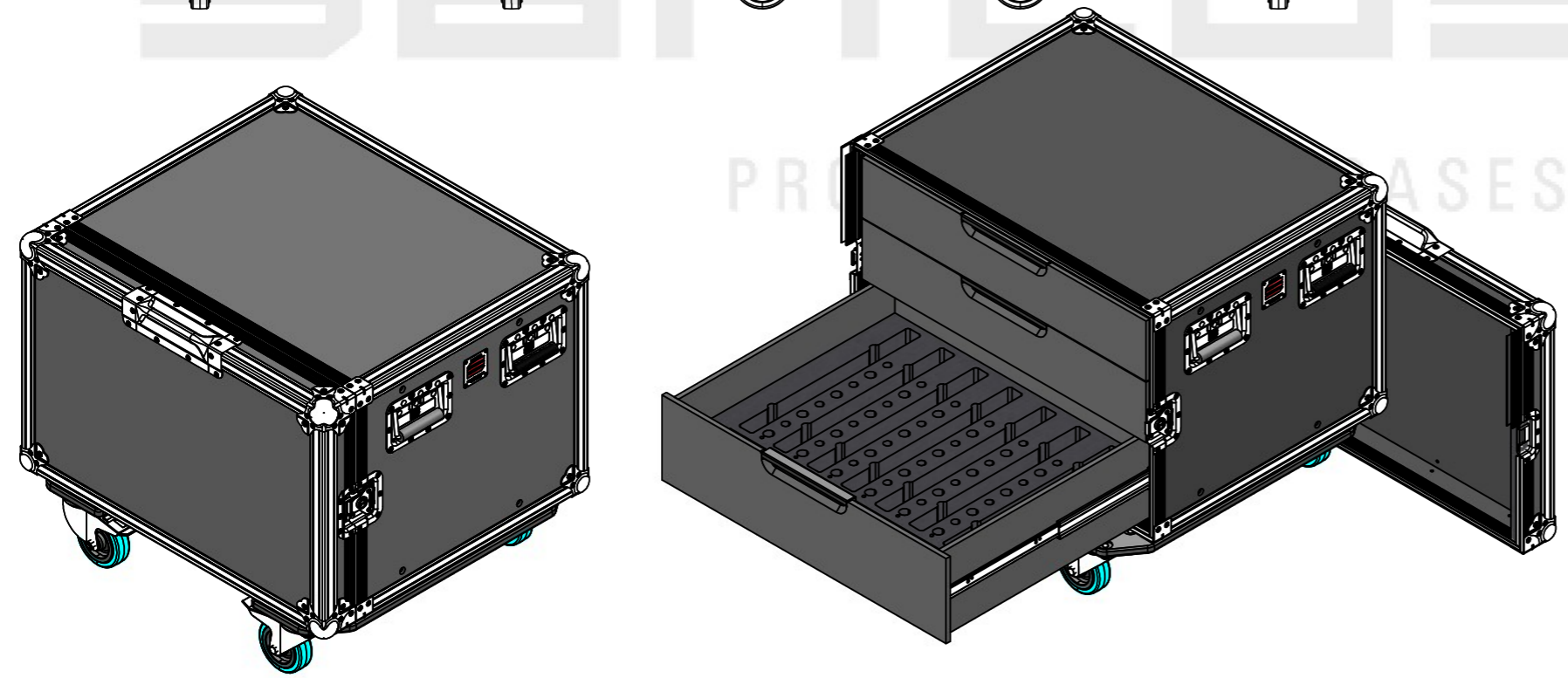
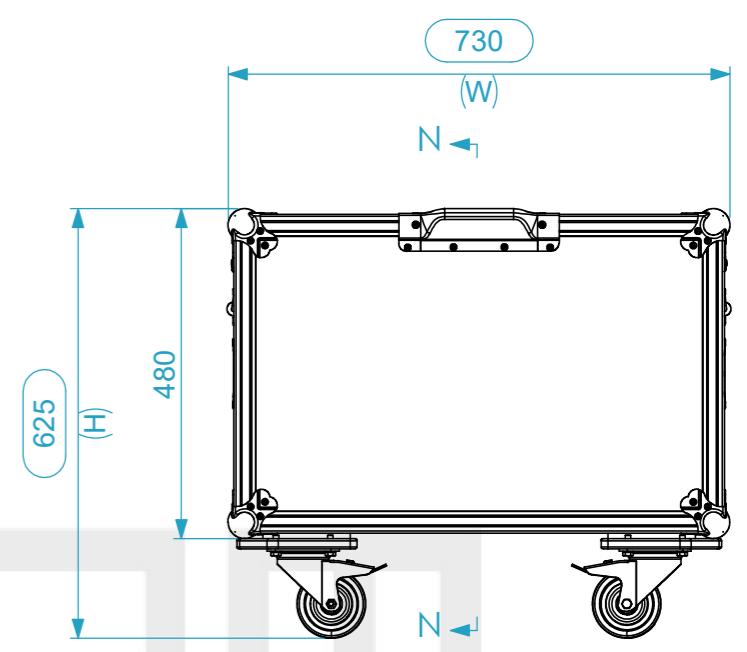
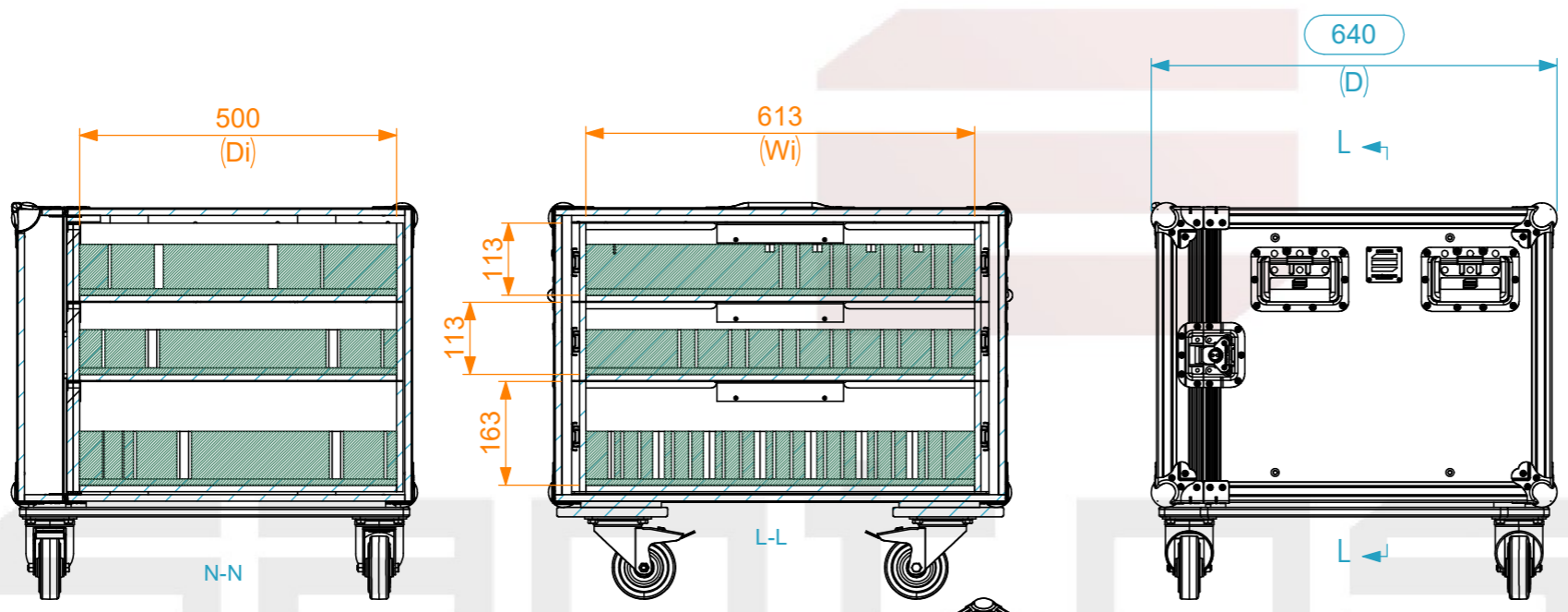
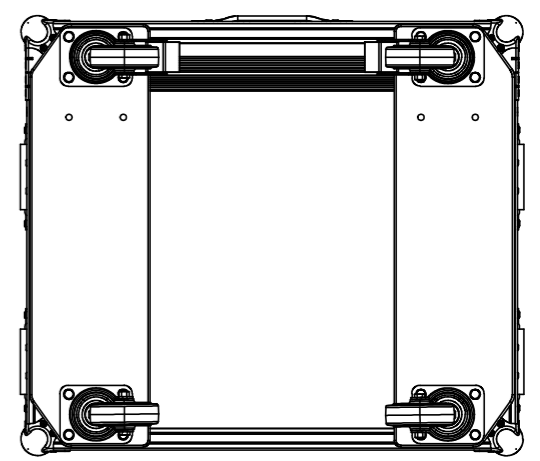


Internal Dimensions		
Width	Depth	Height
613	500	113
FC Weight	Approx. 46 Kg	
Wall Thickness		10mm



General External Dimensions		Usable Inner Dimensions	
W	Width	Wi	Inside Width
D	Depth	Di	Inside Depth
H	Height	Hi	Inside Height

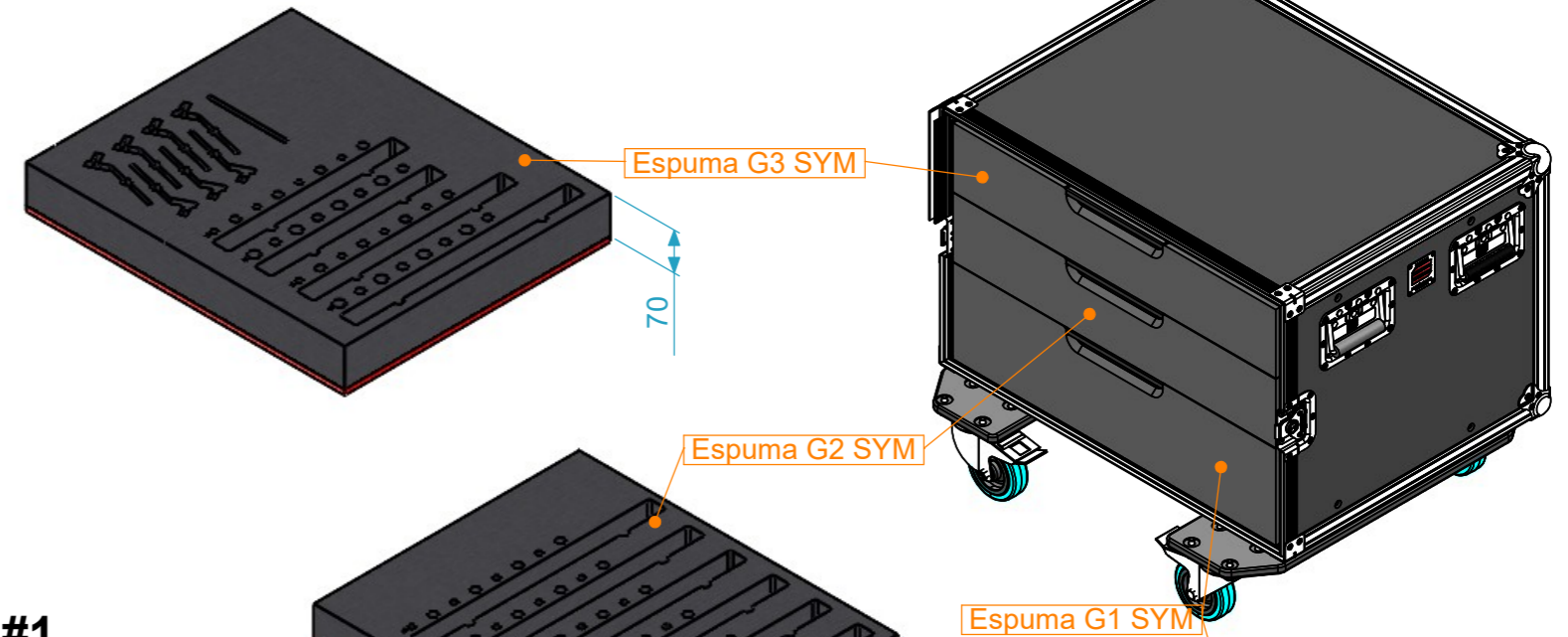
A3 This drawing must not be copied or disclosed without consent of the owner

Drawn by	Name	Date
catarina.silva	catarina.silva	16/06/2026
Reference	3155.14	
Scale	units in mm	general tolerance
1:11	DO NOT SCALE	0.8mm
Road Case A 3 gavetas: 2U, 2U, 2U		

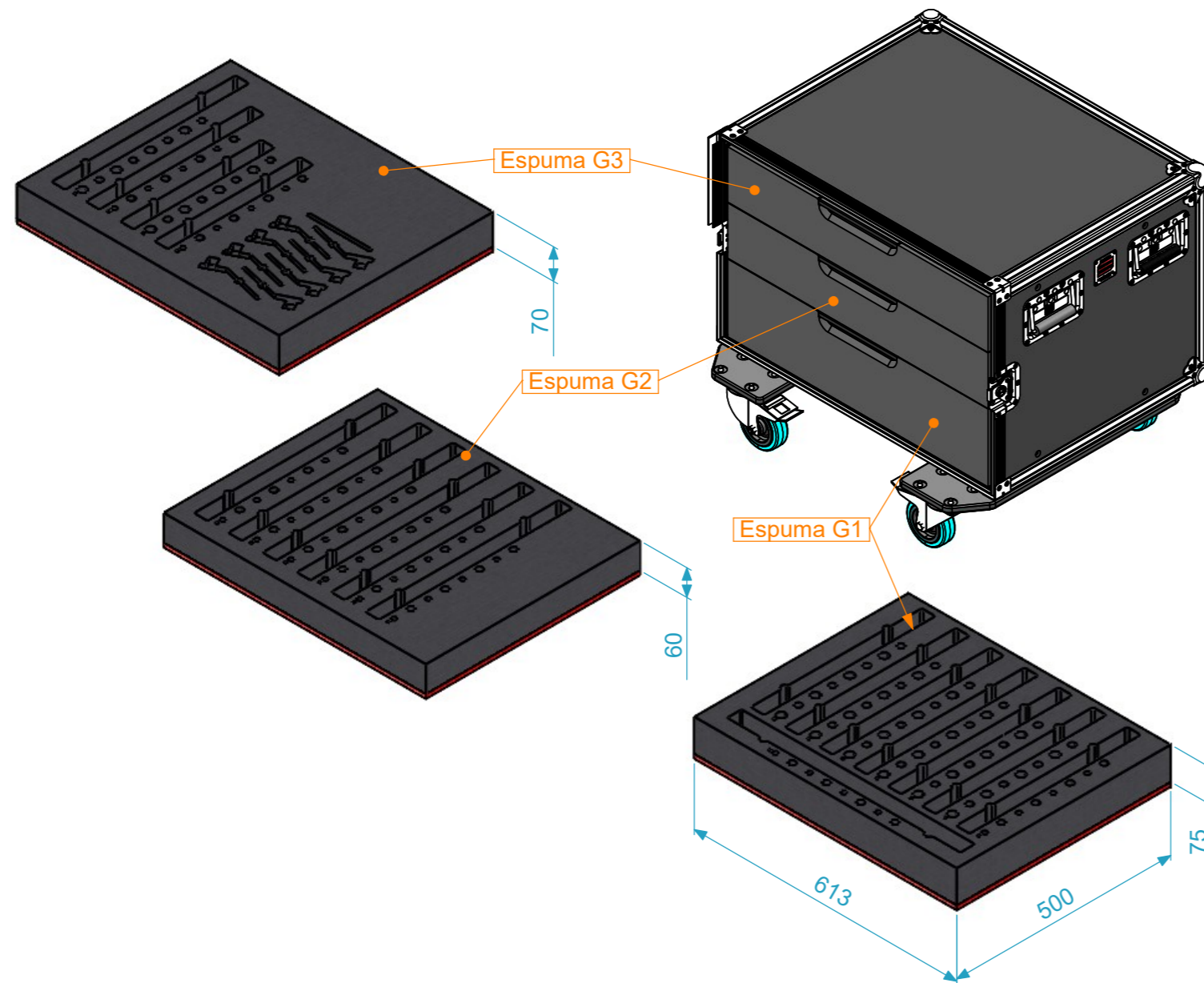


POSIÇÃO ESPUMAS

Roadcase #2



Roadcase #1



This drawing must not be copied or disclosed without consent of the owner	Drawn by	Name	Date
	Reference	catarina.silva	16/06/2026
1st Angle projection	Scale	3155.14	
	units in mm DO NOT SCALE	general tolerance 0.8mm	
Road Case A 3 gavetas: 2U, 2U, 2U			

