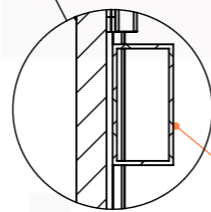
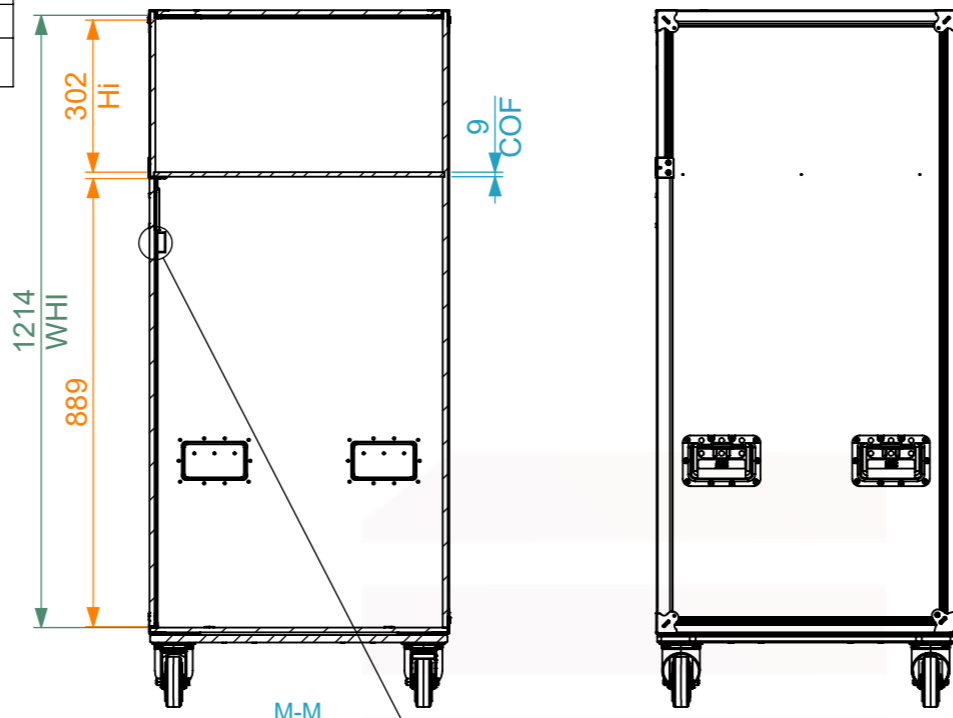
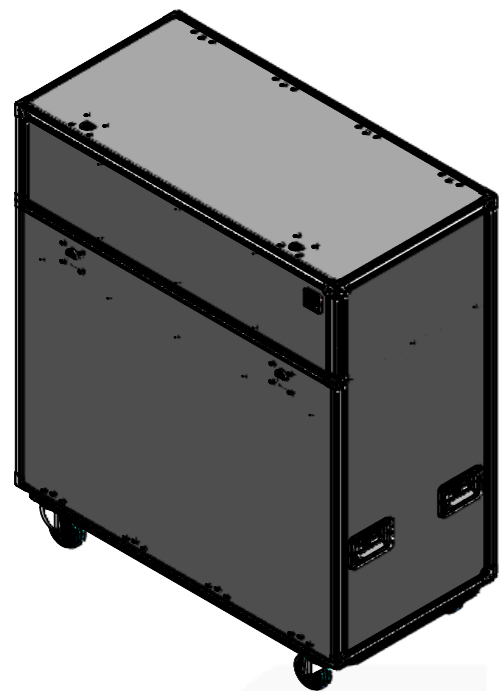
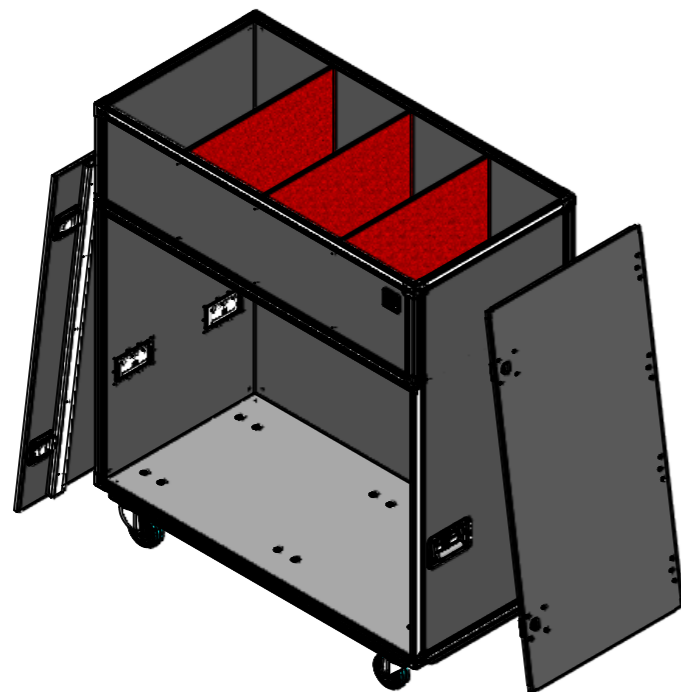
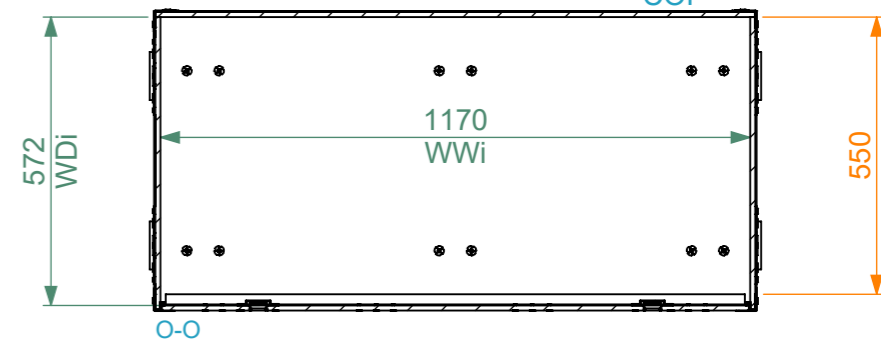
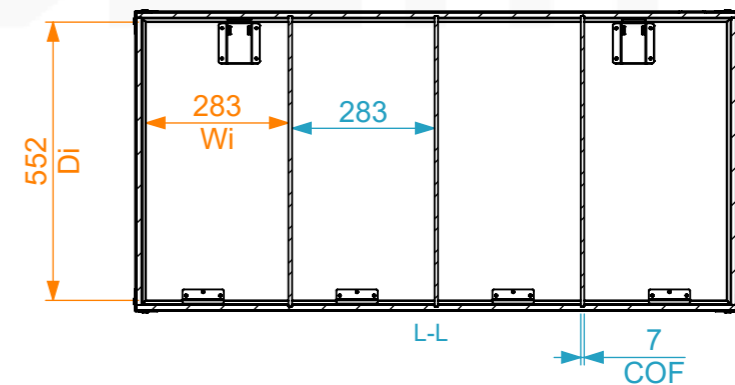
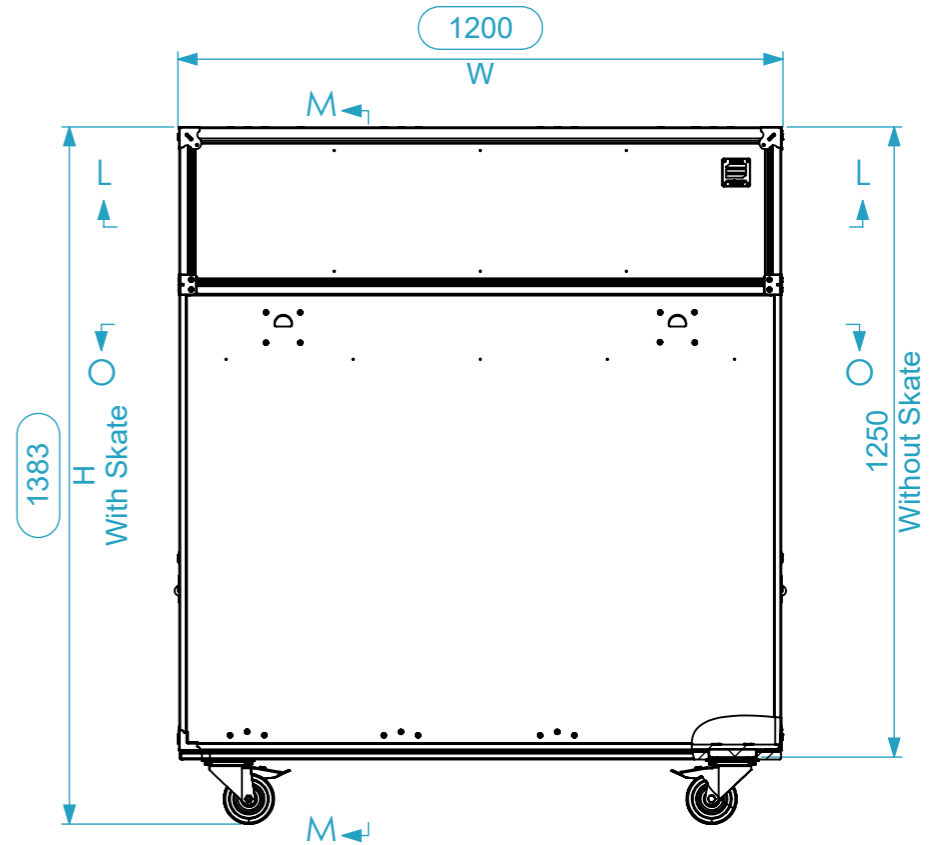


| Internal Dimensions |                  |        |
|---------------------|------------------|--------|
| Width               | Depth            | Height |
| 283                 | 552              | 302    |
| Weight              | Approx. 67.10 Kg |        |
| Wall Thickness      |                  | 10mm   |



Aluminum bar underneath of X-Box latches for door stability



| General External Dimensions |        | Usable Inner Dimensions |               | Wood Inner Dimensions |                    |
|-----------------------------|--------|-------------------------|---------------|-----------------------|--------------------|
| W                           | Width  | Wi                      | Inside Width  | WWi                   | Wood Inside Width  |
| D                           | Depth  | Di                      | Inside Depth  | WDi                   | Wood Inside Depth  |
| H                           | Height | Hi                      | Inside Height | WHi                   | Wood Inside Height |

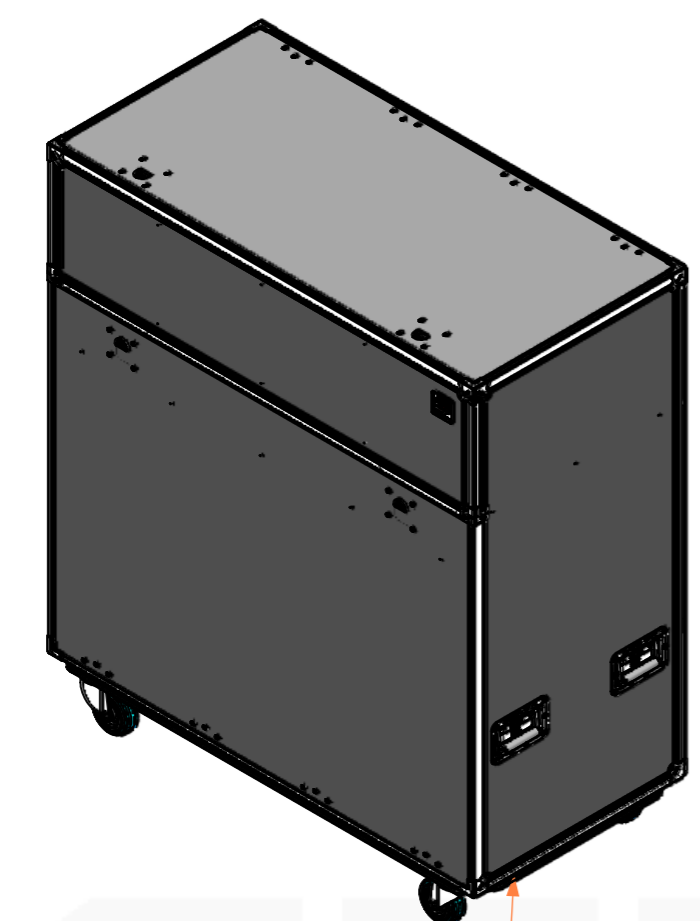
|                   |                         |
|-------------------|-------------------------|
| Name              | Date                    |
| Drawn by projects | 20/05/2021              |
| Reference         | 3116.001                |
| Scale             | 1:15                    |
| units in mm       | general tolerance 0.8mm |
| DO NOT SCALE      |                         |



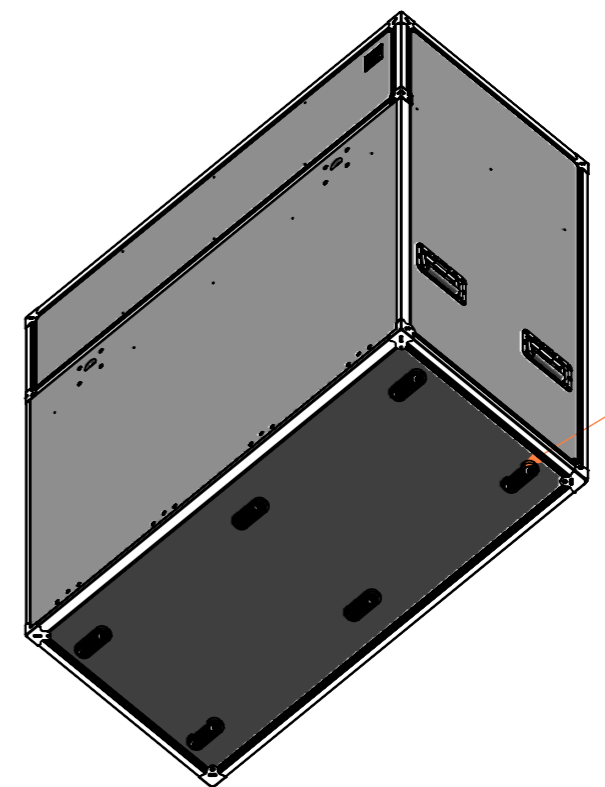
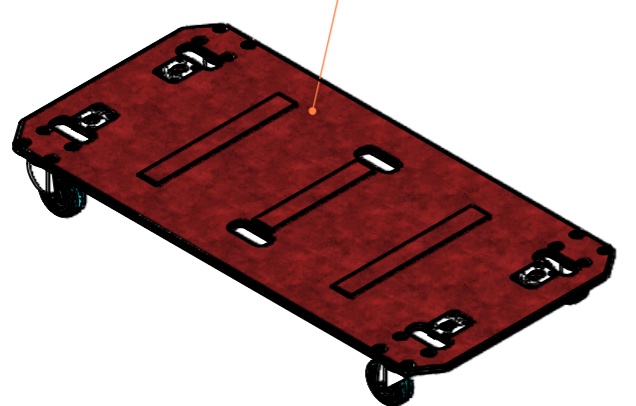
This drawing must not be copied or disclosed without consent of the owner



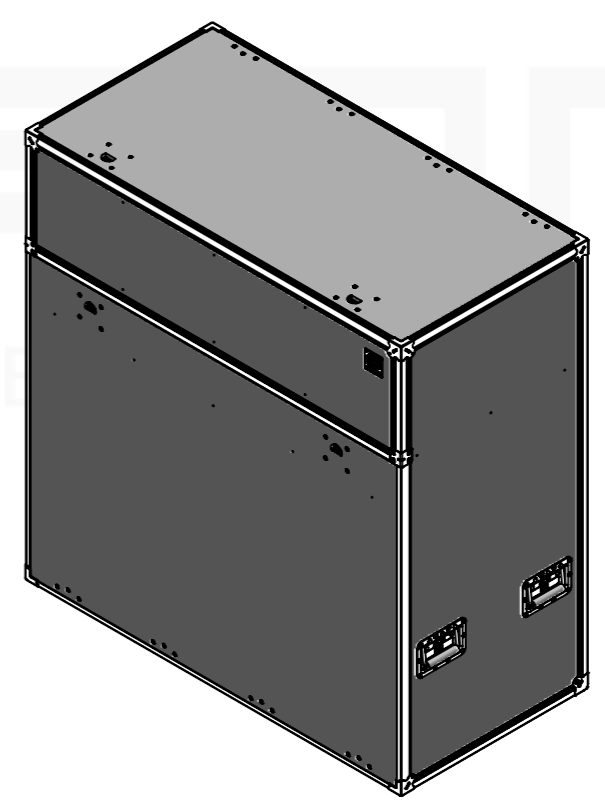
A3



Removable Skate



6x Plastic Feet



SANTOSOM  
PROFESSIONAL CASES

|           |              |                   |
|-----------|--------------|-------------------|
|           | <b>Name</b>  | Date              |
| Drawn by  | projects     | 20/05/2021        |
| Reference | 3116.001     |                   |
| Scale     | units in mm  | general tolerance |
| 1:15      | DO NOT SCALE | 0.8mm             |

This drawing must not be copied or disclosed without consent of the owner



A3

