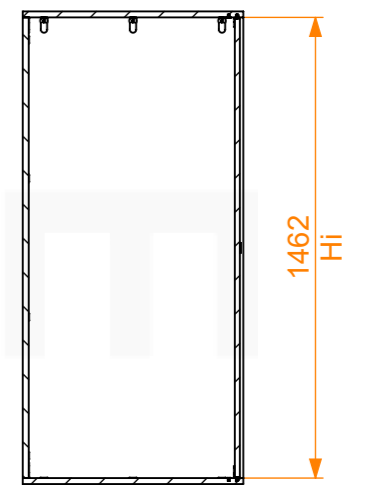
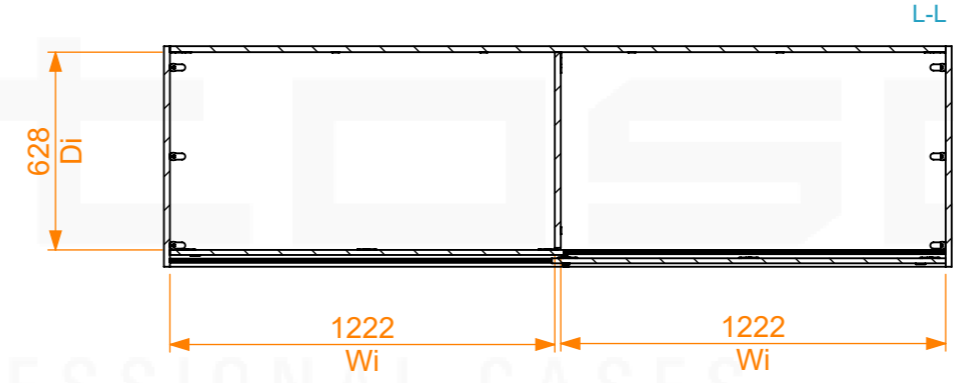
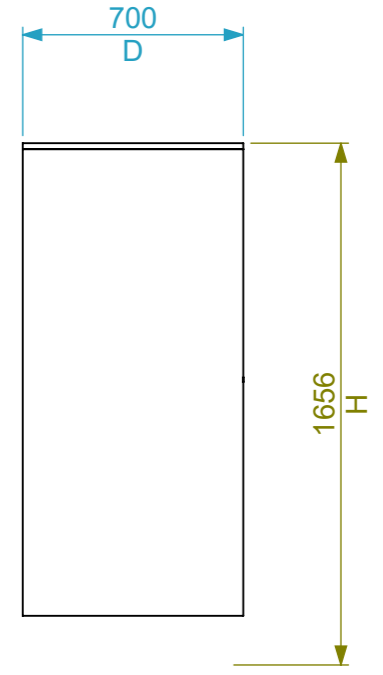
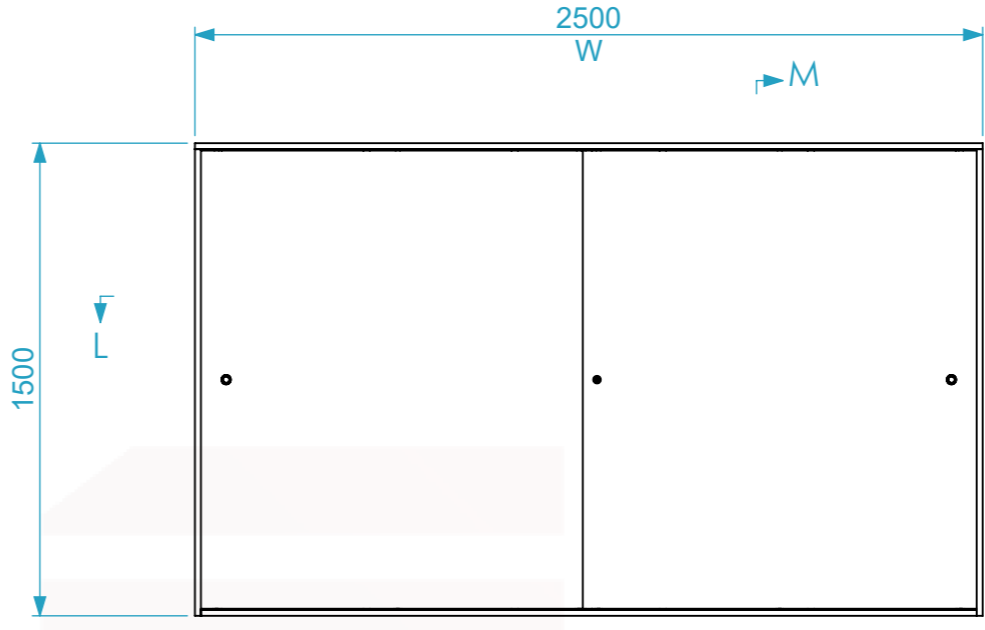
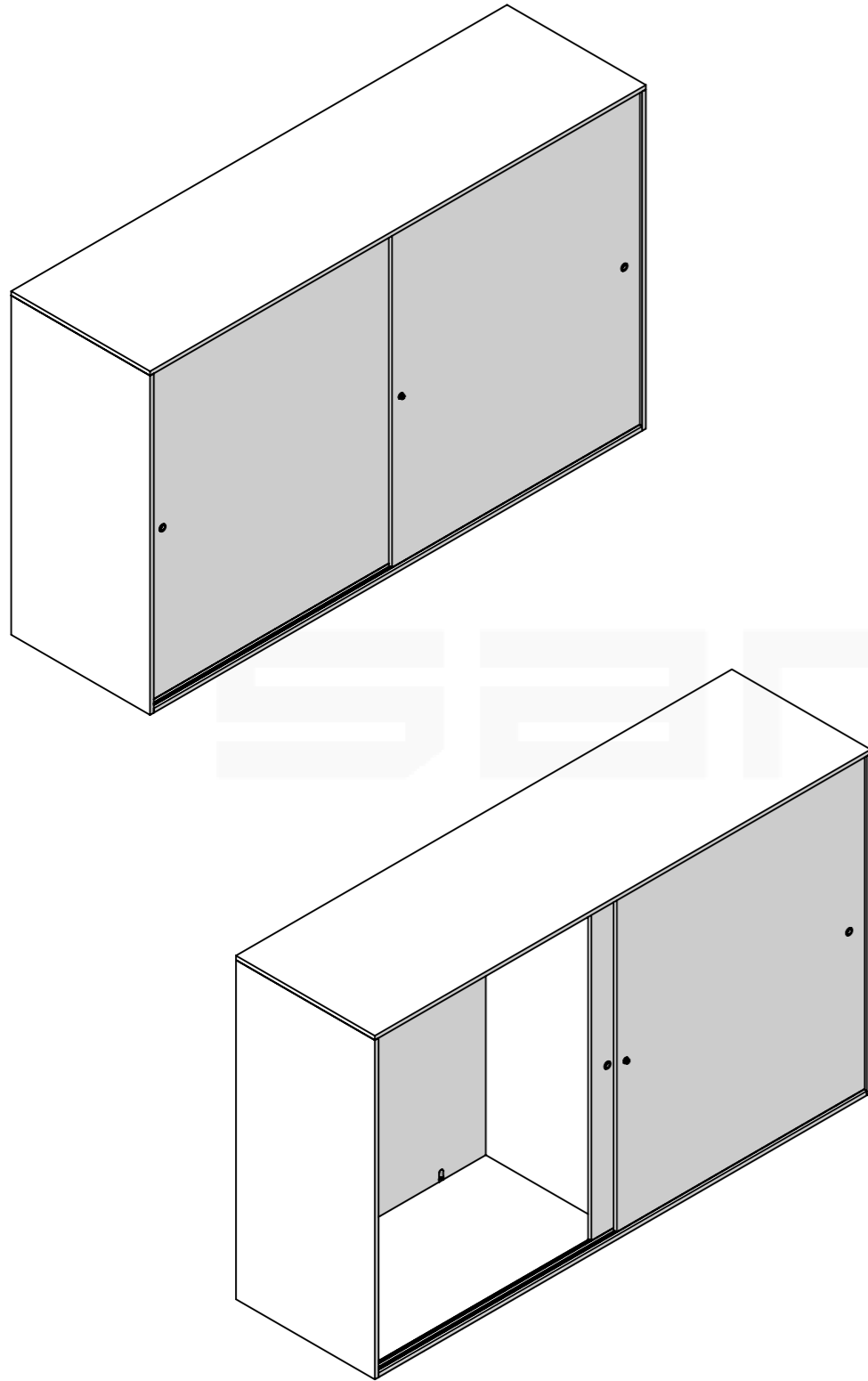


Internal Dimensions		
Width	Depth	Height
2500	700	1500
Weight	Approx. 160.92 Kg	
Wall Thickness	19mm	



General External Dimensions	
W	Width
D	Depth
H	Height
Usable Inner Dimensions	
Wi	Inside Width
Di	Inside Depth
Hi	Inside Height
Wood Inner Dimensions	
WWi	Wood Inside Width
WDi	Wood Inside Depth
WHi	Wood Inside Height

Name	alexandre	Date	19/11/2020
Reference	3872.003		
Scale	1:24	units in mm	DO NOT SCALE
		general tolerance	0.8mm
	Módulo Armazem W-2500 D-700 H-1500mm		



This drawing must not be copied or disclosed without consent of the owner



A3