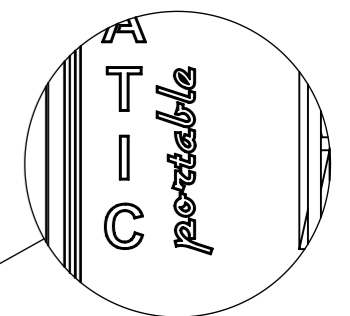
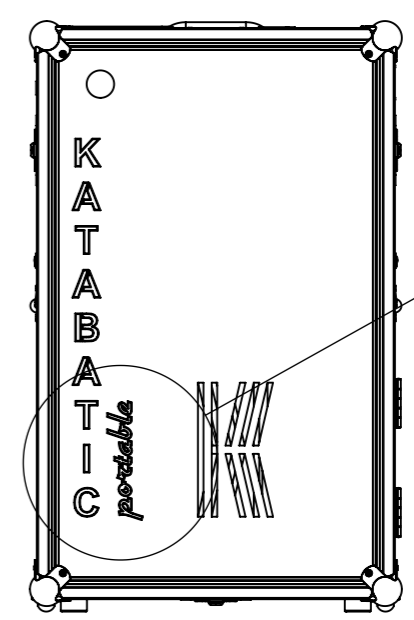
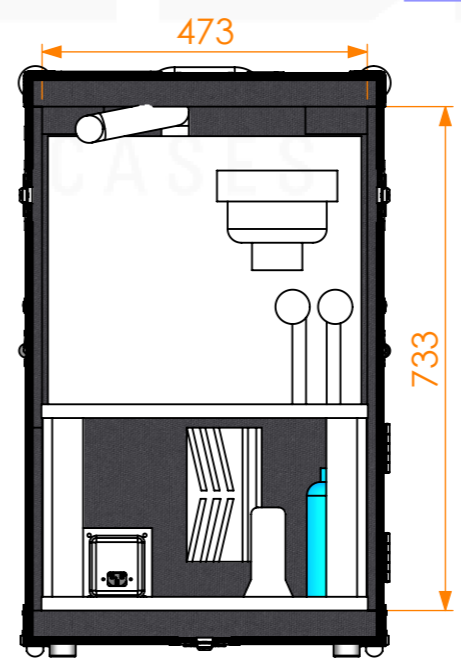
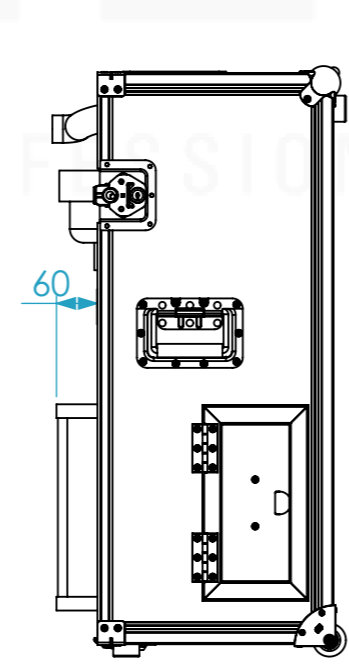
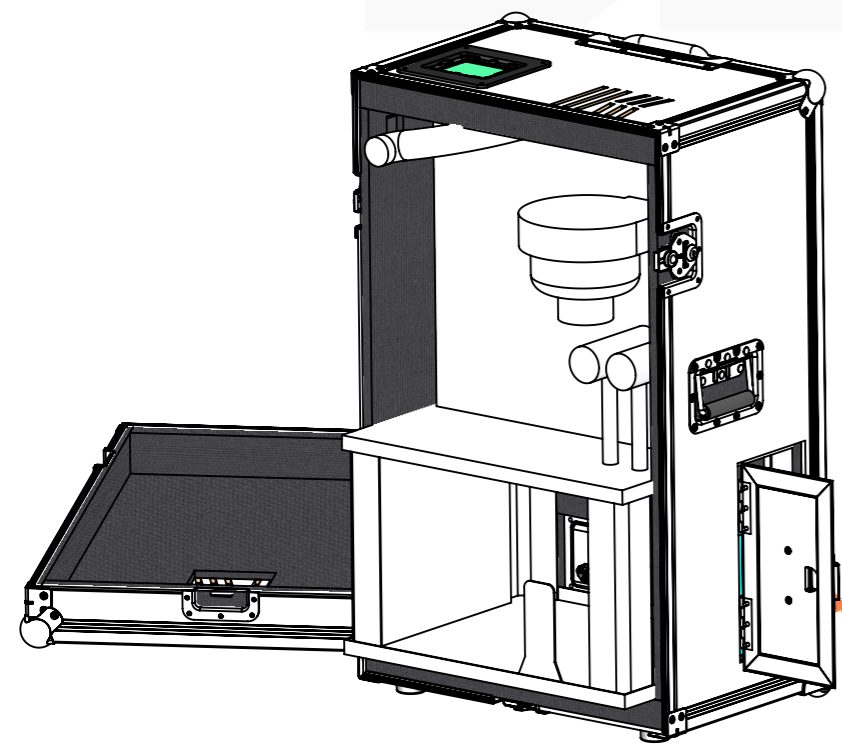
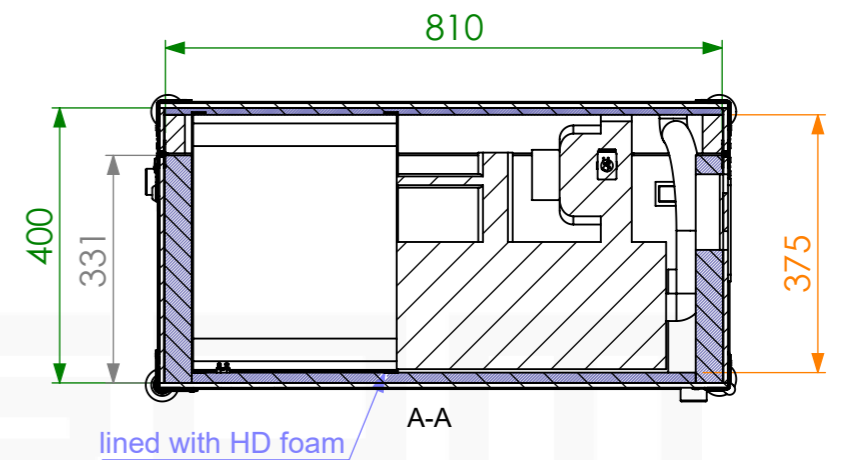
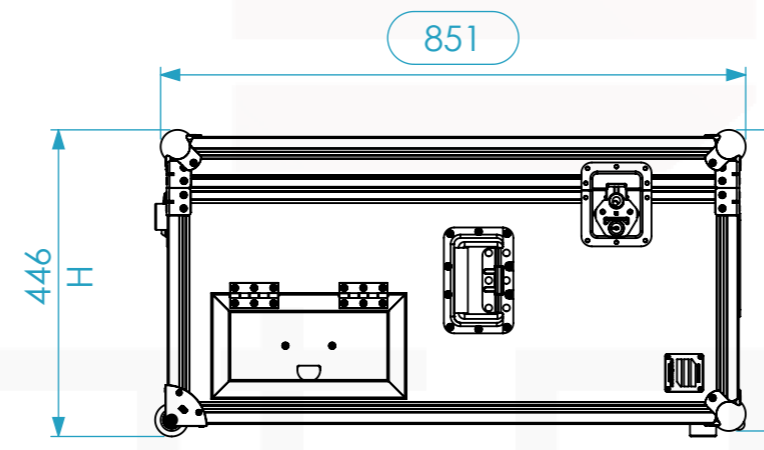
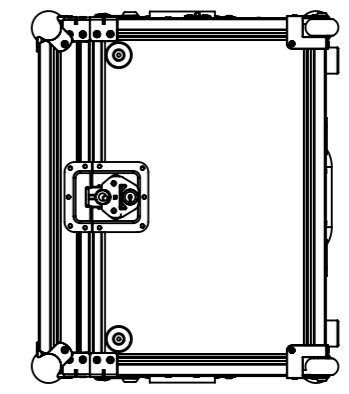
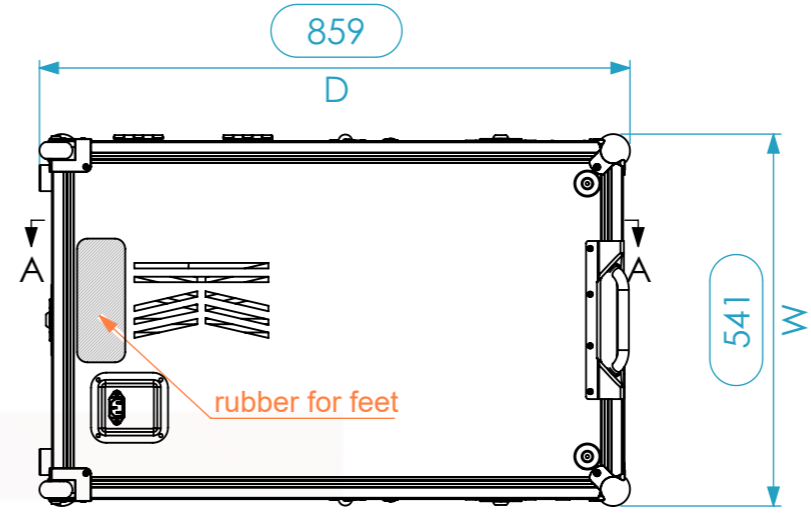
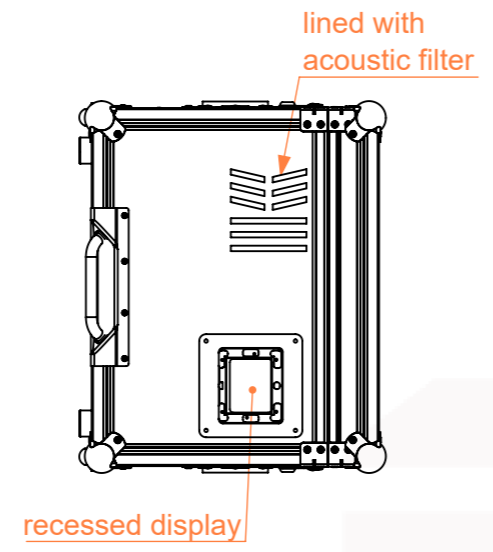
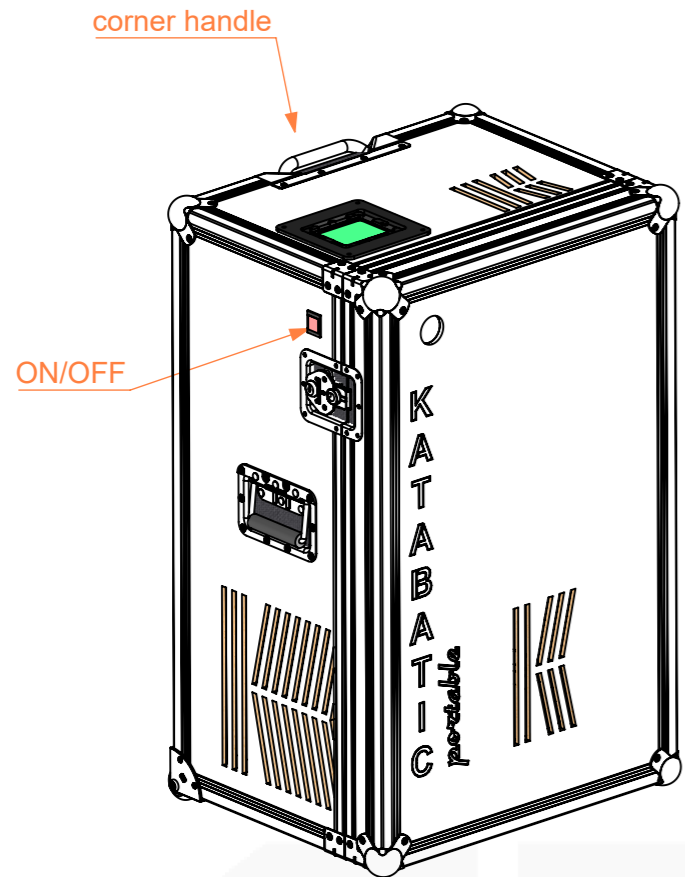


| Internal Dimensions | | |
|---------------------|---------------|--------|
| Width | Depth | Height |
| 810 | 500 | 400 |
| Weight | Approx. 55 Kg | |
| Wall Thickness | | 7mm |

| REVISIONS | | | | |
|-----------|------|---|------------|---------------|
| ZONE | REV. | DESCRIPTION | DATE | APPROVED |
| - | - | Changed door opening; changed butterfly latch positions; removed hinges and the door now comes out completely. Reduced overall depth 3cm. | 22/03/2018 | CatarinaDuque |

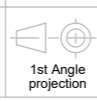


| General External Dimensions | |
|-----------------------------|--------------------|
| W | Width |
| D | Depth |
| H | Height |
| Usable Inner Dimensions | |
| Wi | Inside Width |
| Di | Inside Depth |
| Hi | Inside Height |
| Wood Inner Dimensions | |
| WWi | Wood Inside Width |
| WDi | Wood Inside Depth |
| WHi | Wood Inside Height |

| | |
|-----------------------------------|-------------------------|
| Name | Date |
| Drawn by CatarinaDuque | 22-03-2018 |
| Reference | 3028.002 |
| Scale | 1:1 |
| units in mm | general tolerance 0.8mm |
| DO NOT SCALE | |
| FLIGHT CASE KATABATIC PORTABLE | |



This drawing must not be copied or disclosed without consent of the owner



A3