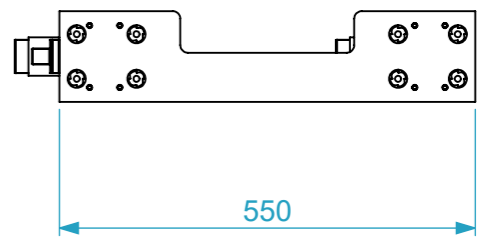
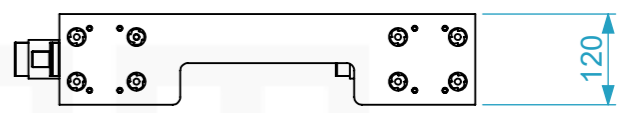
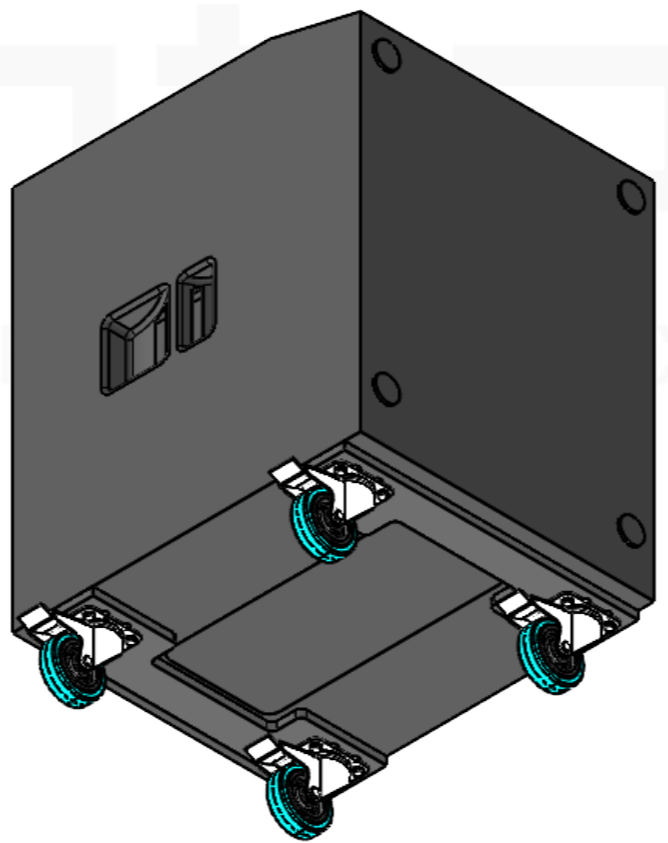
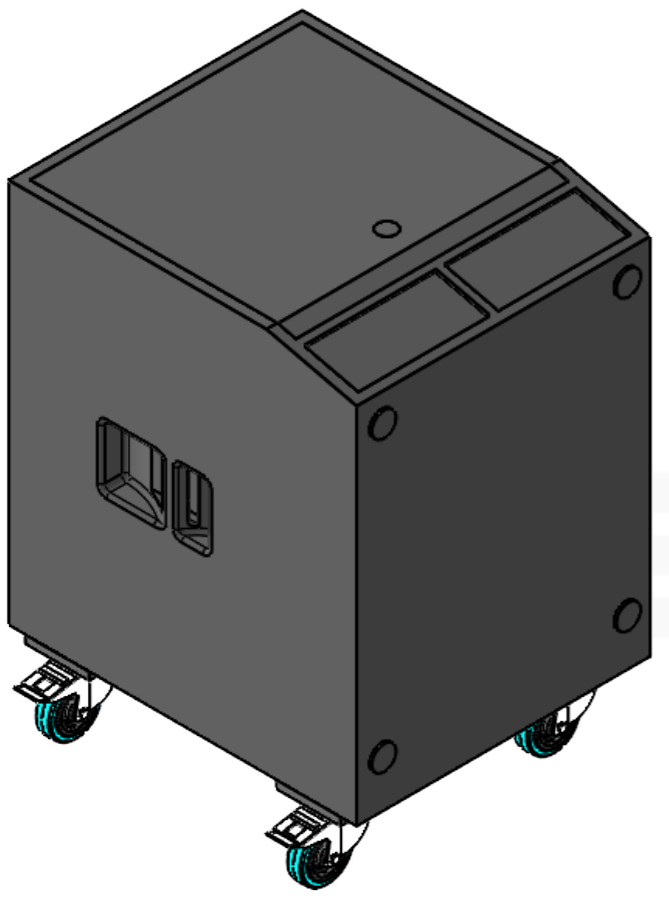
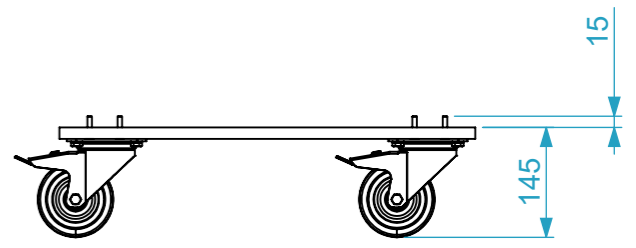
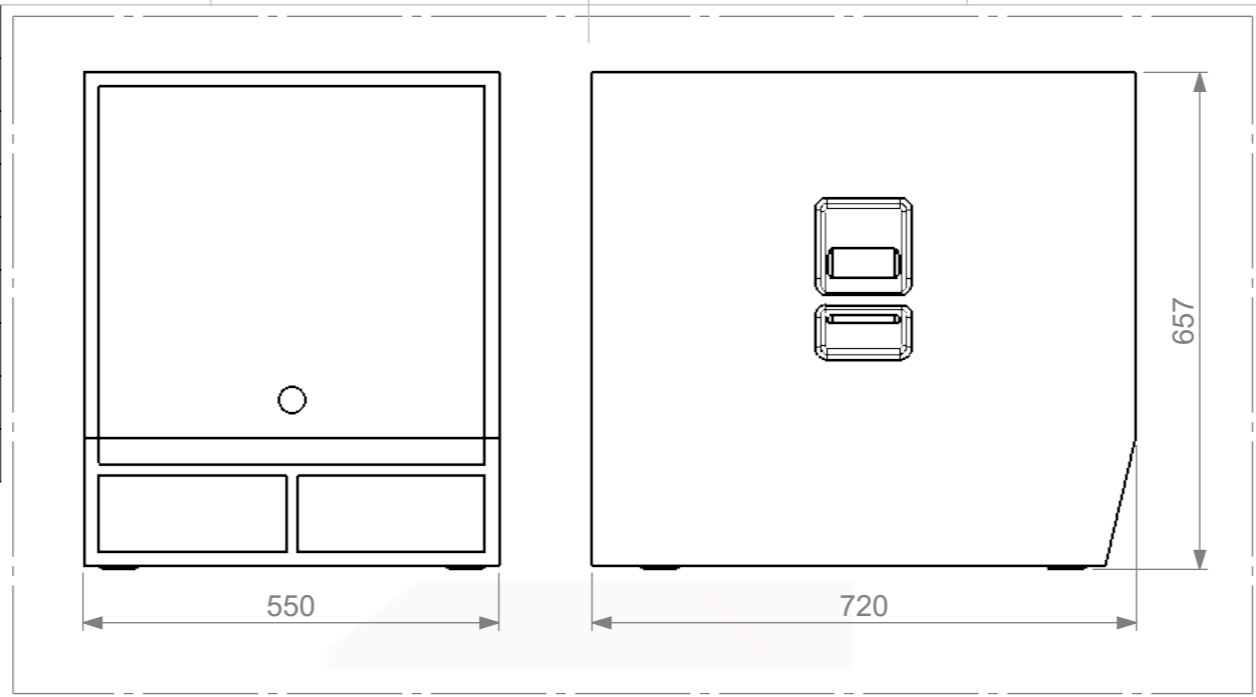


Equipment			Yamaha DXS18XLF		
Width	Depth	Height			
550	720	657			
Weight	Approx. 48.9 Kg				
Internal Dimensions					
Width	Depth	Height			
550	120	145			
Weight	Approx. 6 Kg				
Wall Thickness		15mm			



General External Dimensions	
W	Width
D	Depth
H	Height

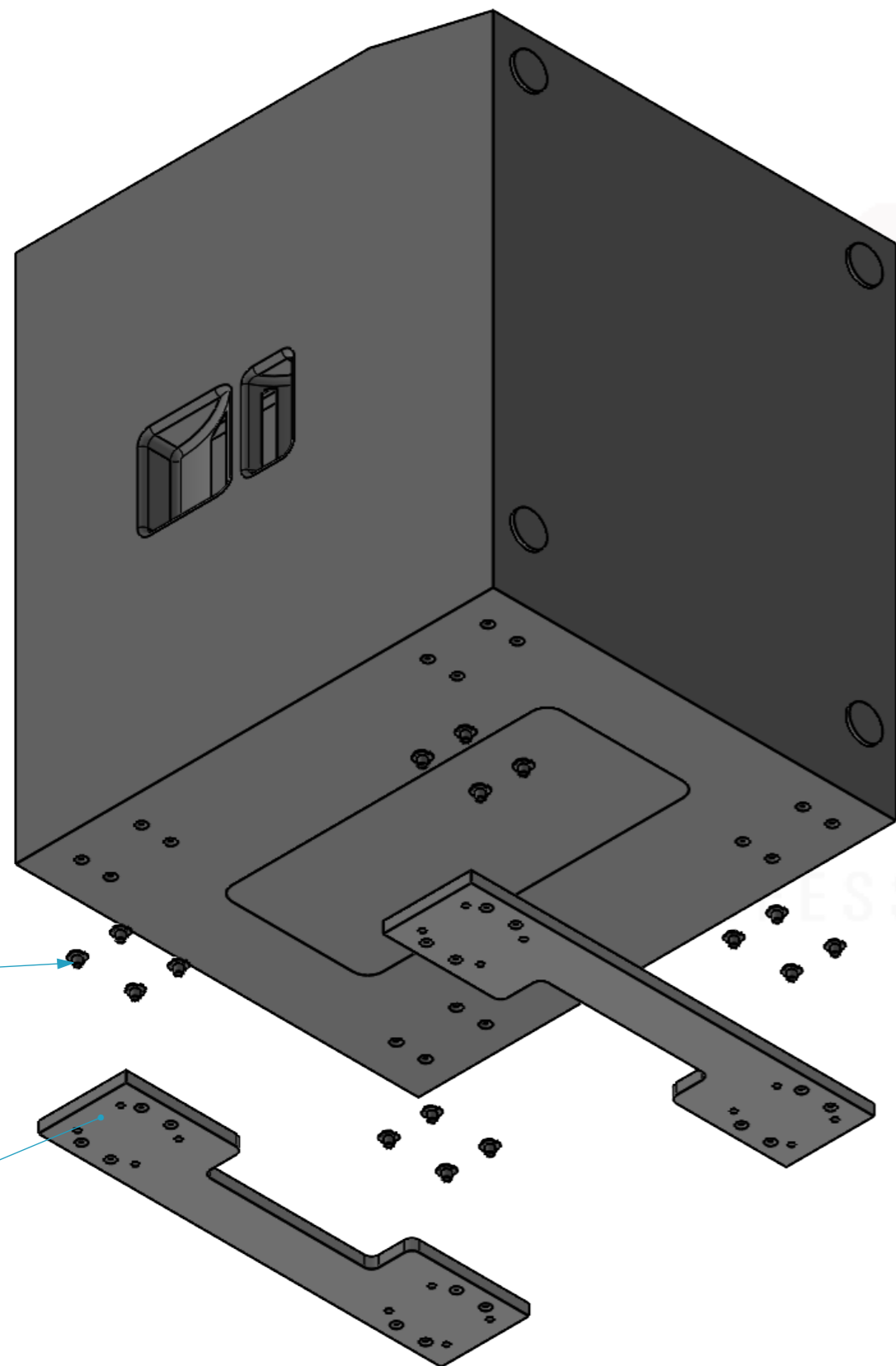
Drawn by	rita.monteiro	Date	16/06/2026
Reference	3013.012		
Scale	1:10	units in mm	general tolerance 0.8mm
		DO NOT SCALE	
	Kit 2 wheel support + 4 wheels 100mm (4 with brake)		



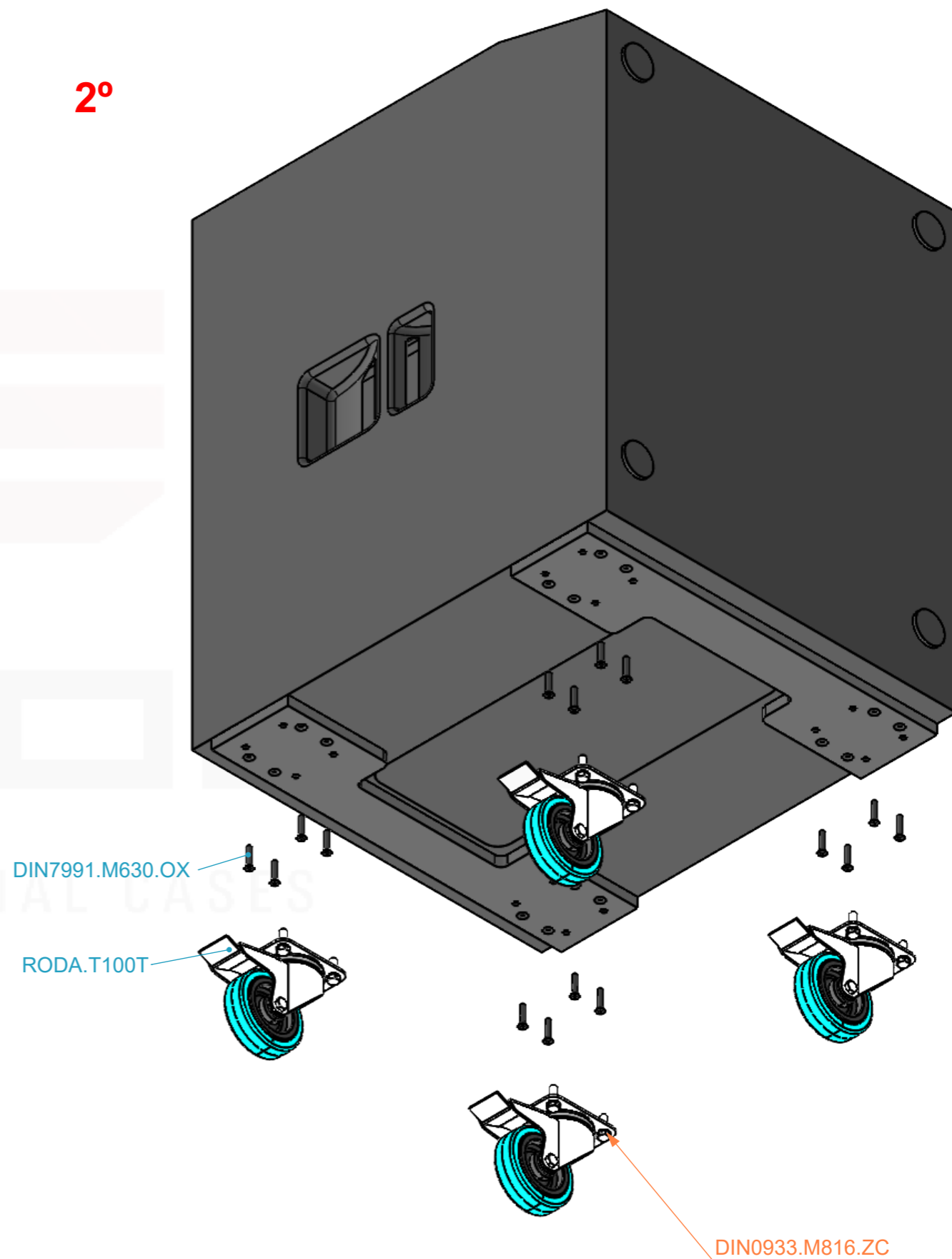
A3 This drawing must not be copied or disclosed without consent of the owner



1°



2°



DIN6919.M8.OX

R1.DXS18XLFs

DIN7991.M630.OX

RODA.T100T

DIN0933.M816.ZC

	Name	Date
Drawn by	rita.monteiro	16/06/2026
Reference	3013.012	
Scale	units in mm	general tolerance
	1:6	0.8mm
1st Angle projection	DO NOT SCALE	
	Kit 2 wheel support + 4 wheels 100mm (4 with brake)	

This drawing must not be copied or disclosed without consent of the owner

A3

