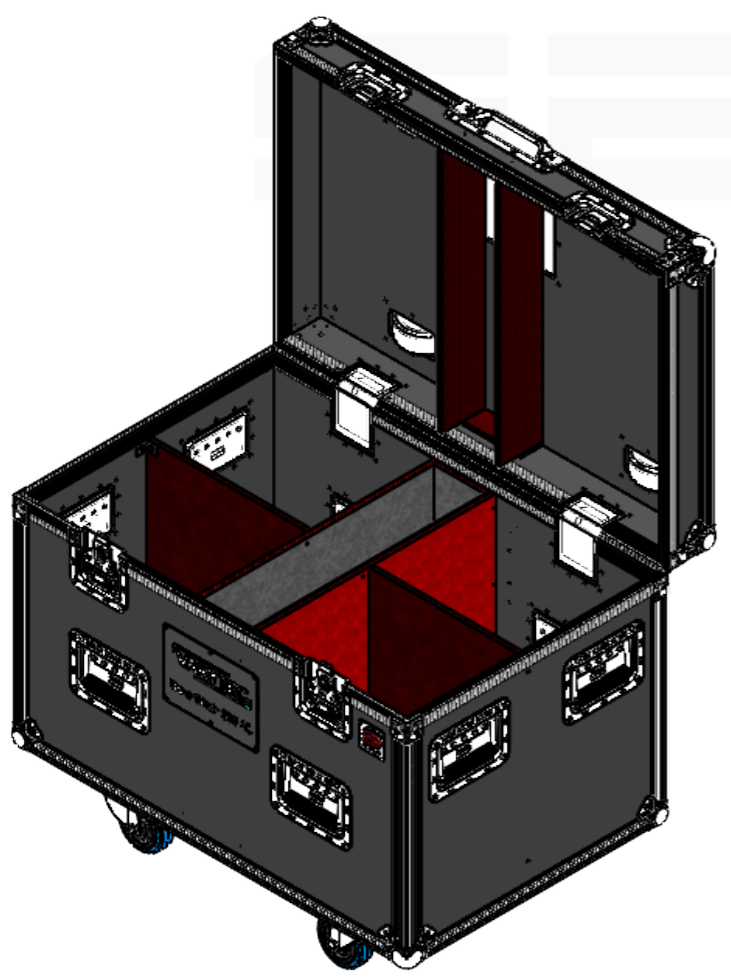
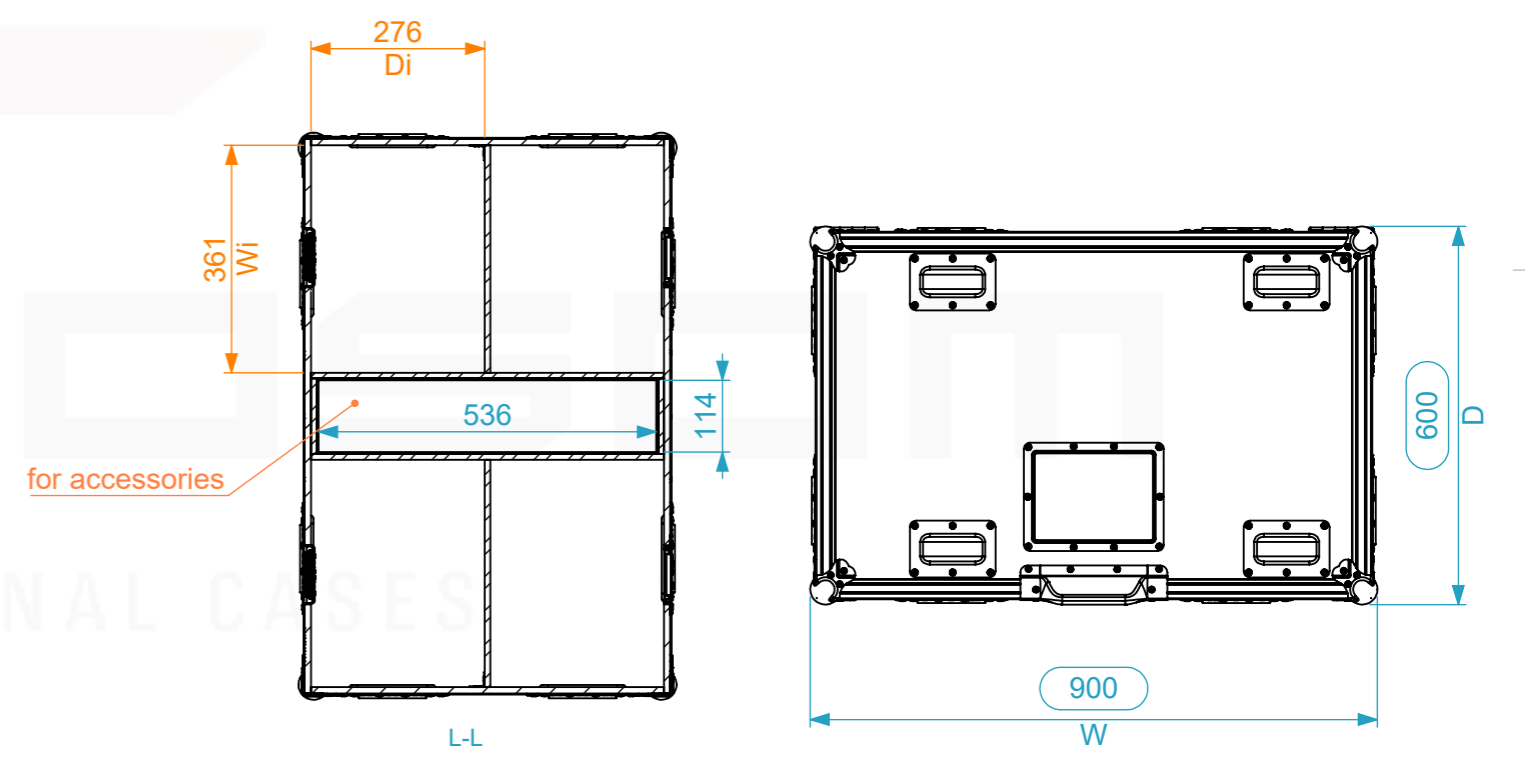
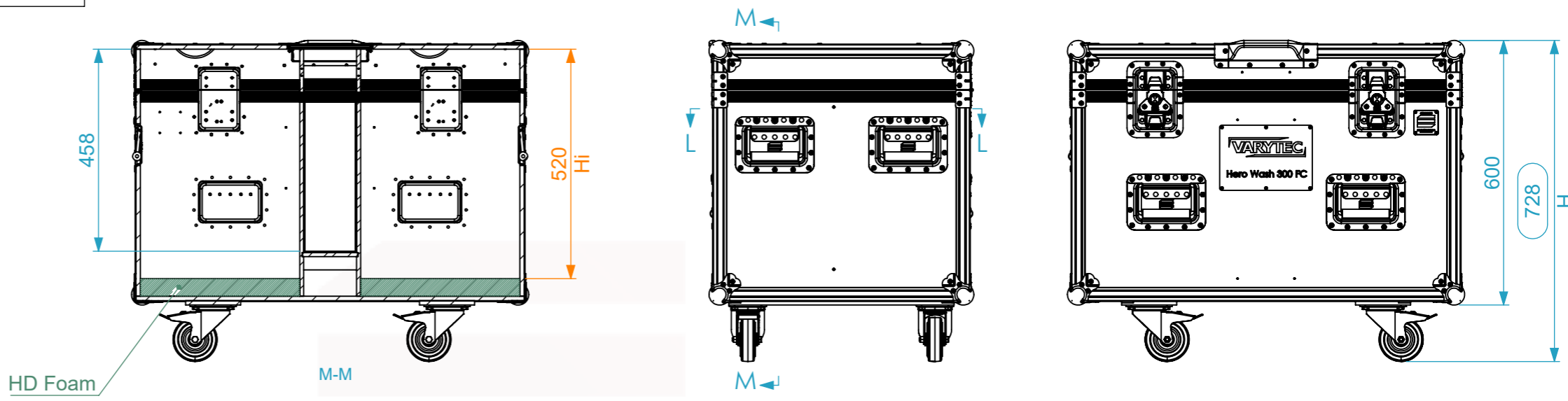


### Dimensions

Width	Depth	Height
900	600	728
Weight	Approx. 44.23 Kg	
Wall Thickness	10mm	



General External Dimensions	
W	Width
D	Depth
H	Height
Usable Inner Dimensions	
Wi	Inside Width
Di	Inside Depth
Hi	Inside Height

Name	Date
Drawn by paula.almeida	19/12/2022
Reference	3013.004
Scale	1:12
units in mm	general tolerance 0.8mm
DO NOT SCALE	
1st Angle projection	
Flight case PRO, 4x Varytec Hero Wash 300 FC (cliente foam shell)	



This drawing must not be copied or disclosed without consent of the owner

A3