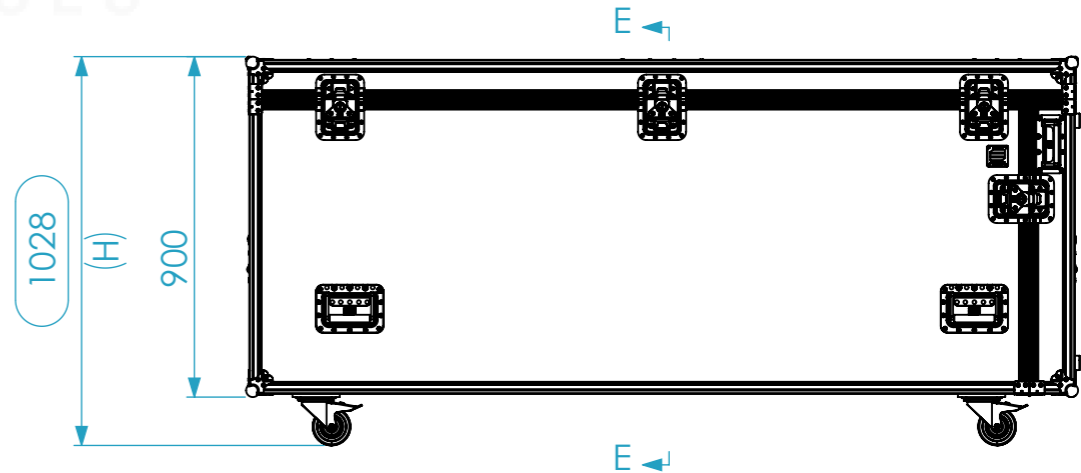
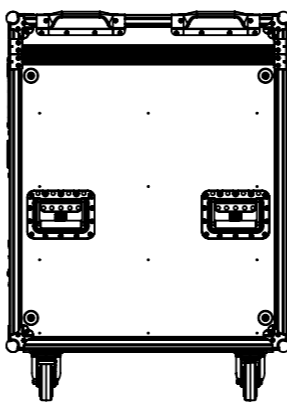
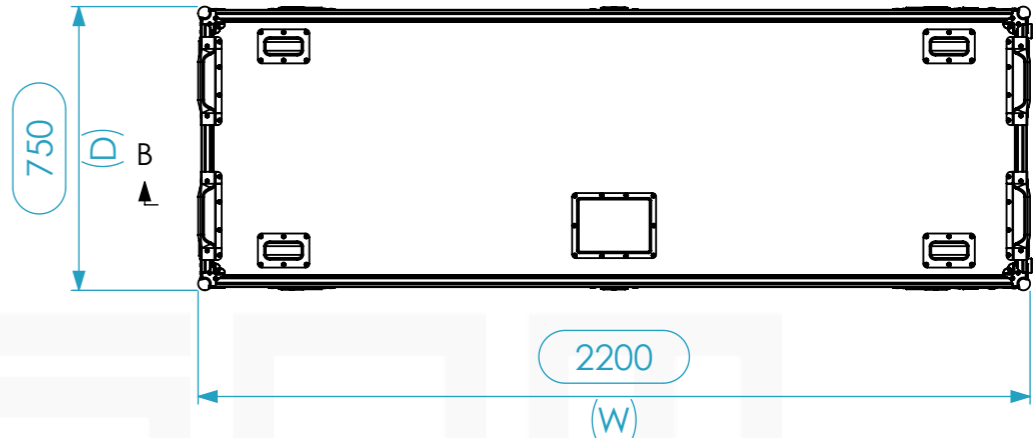
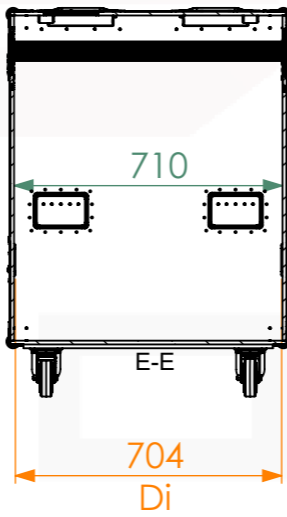
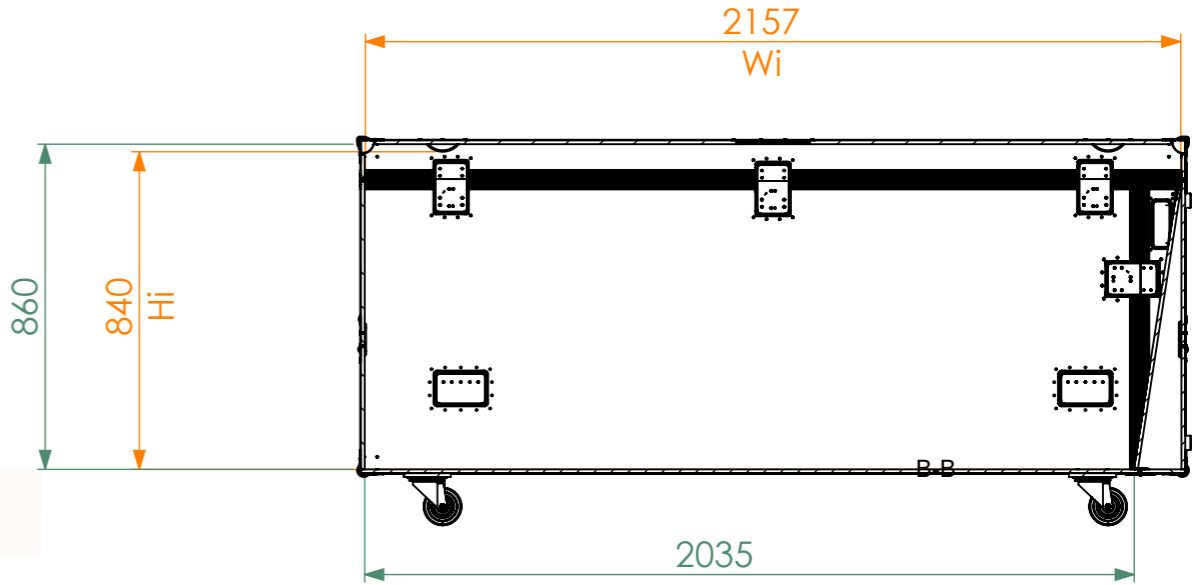
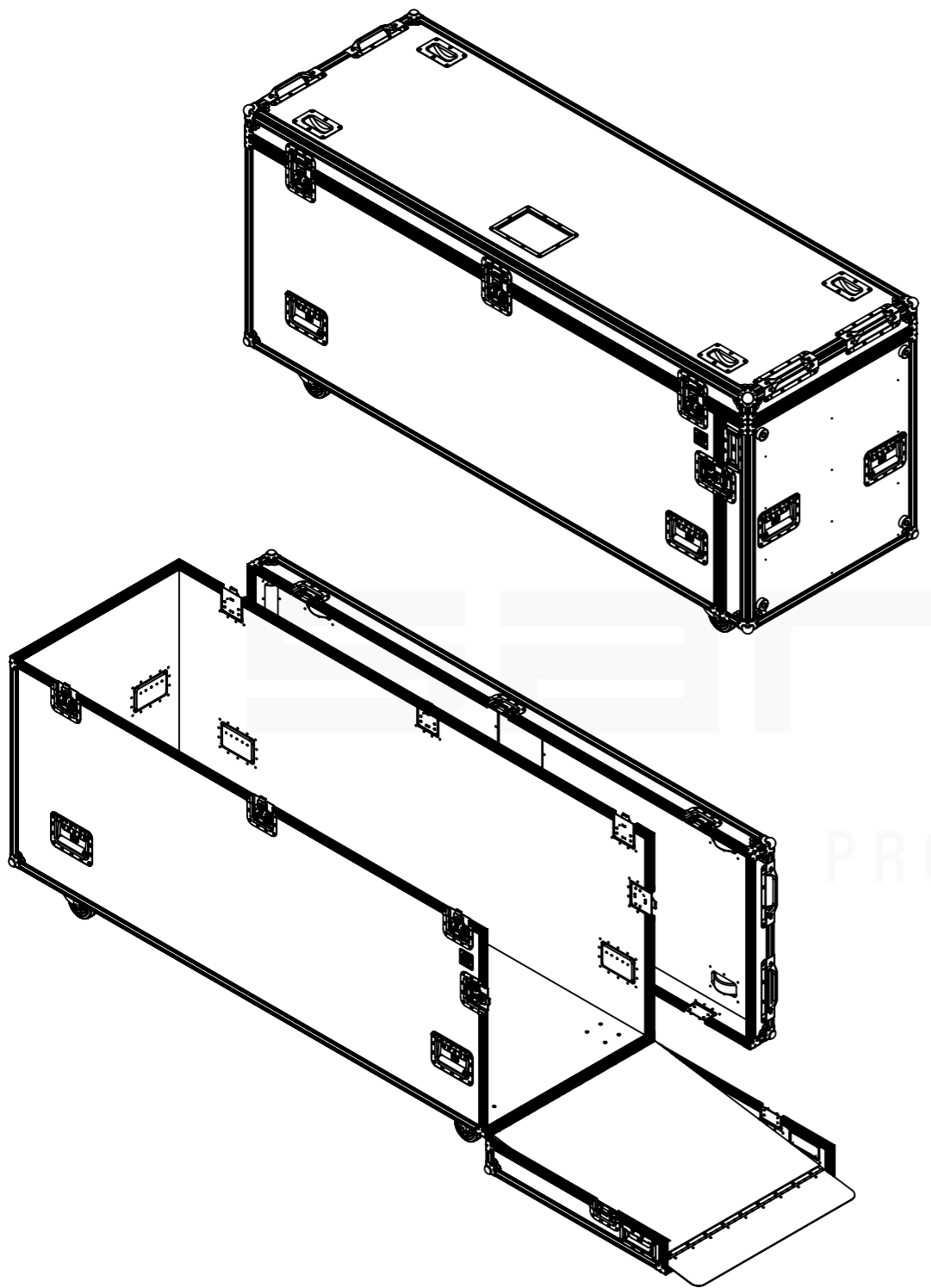


Internal Dimensions		
Width	Depth	Height
2156	706	856
Weight	Approx. 90 Kg	
Wall Thickness	10mm	



General External Dimensions		Usable Inner Dimensions		Wood Inner Dimensions	
W	Width	Wi	Inside Width	WWi	Wood Inside Width
D	Depth	Di	Inside Depth	WDi	Wood Inside Depth
H	Height	Hi	Inside Height	WHi	Wood Inside Height

A3 This drawing must not be copied or disclosed without consent of the owner

Drawn by	Name	Date
projects		29/11/2021
Reference	2991.004	
Scale	units in mm	general tolerance
1:20	DO NOT SCALE	0.8mm
1st Angle projection	Malão PRO, X2 + Abertura Lateral	

